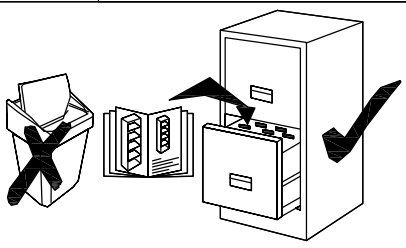
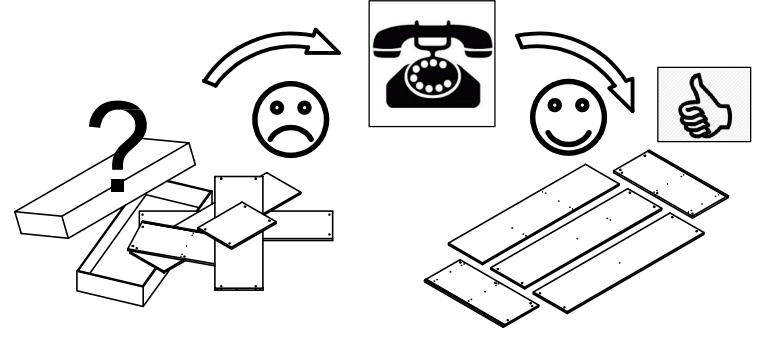
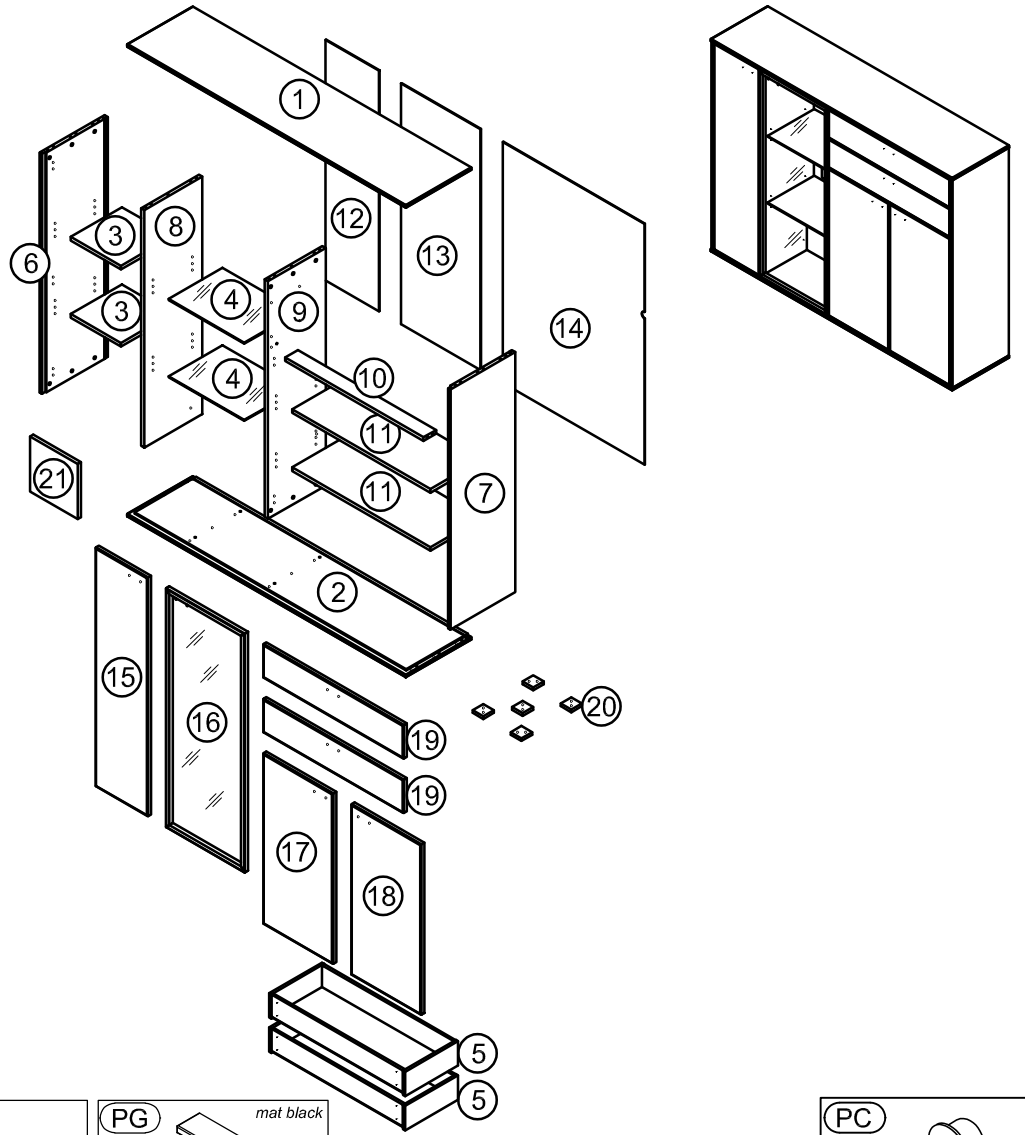


# Service

Name	<b>ASSINI</b>
Typ	<b>T 05 - HIGHBOARD</b>



- ① 1582×372×19
- ② 1582×372×19
- ③ 284×290×18
- ④ 429×305×5
- ⑤ 771×300×120
- ⑥ 1178×369×19
- ⑦ 1178×369×19
- ⑧ 1166×328×19
- ⑨ 1166×328×19
- ⑩ 785×72×18
- ⑪ 784×290×18
- ⑫ 1182×303×3
- ⑬ 1182×450×3
- ⑭ 1182×803×3
- ⑮ 1172×296×20
- ⑯ 1172×446×20,5
- ⑰ 836×396×20
- ⑱ 836×396×20
- ⑲ 796×164×20
- ⑳ 60×60×15
- ㉑ 270×270×37



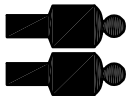
<b>D1</b> Ø8x32 mm 	<b>X</b> 	<b>PG</b> 64 mm mat black 	<b>PC</b> Ø7/9x4mm 
<b>W3</b> 	<b>S1-20</b> 3,0x20 mm 	<b>S2-30</b> 4,0x30 mm 	<b>H2</b> 9mm 
<b>EX1</b> Ø15x12 mm 	<b>S1-16</b> 3,5x16 mm 	<b>S2-35</b> 4,0x35 mm 	<b>H6</b> 950.0T50.050 
<b>M10</b> M4x10 mm 	<b>T1</b> 	<b>P1</b> Ø9mm 	<b>C2</b> 
<b>M25</b> M4x25 mm 	<b>S-25</b> 3,5x25 mm 	<b>ES</b> 6,3x13 mm 	<b>P2</b> 3mm 
<b>M40</b> M4x40 mm 	<b>R35-Hettich</b> 350mm 	<b>B</b> 	<b>W1</b> 
<b>A3</b> 77x20x15 mm 	<b>S-16</b> 4x16 mm 	<b>GL</b> 	<b>ST</b> 

Modellname: **ASSINI**

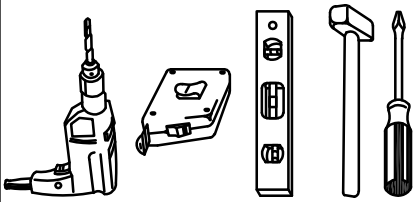
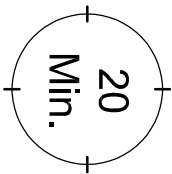
# MONTAGEANLEITUNG

## TYPE T05 - HIGHBOARD

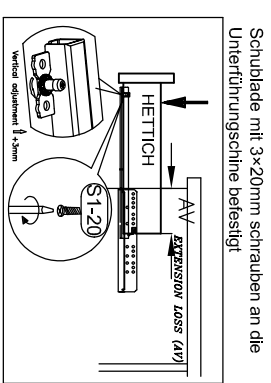
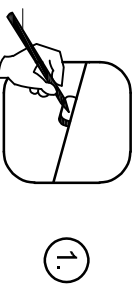
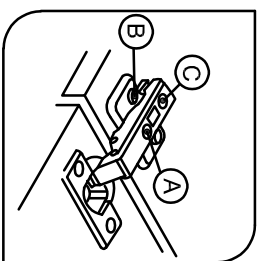
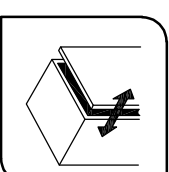
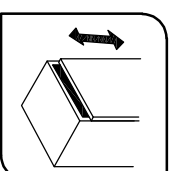
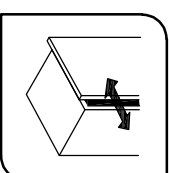
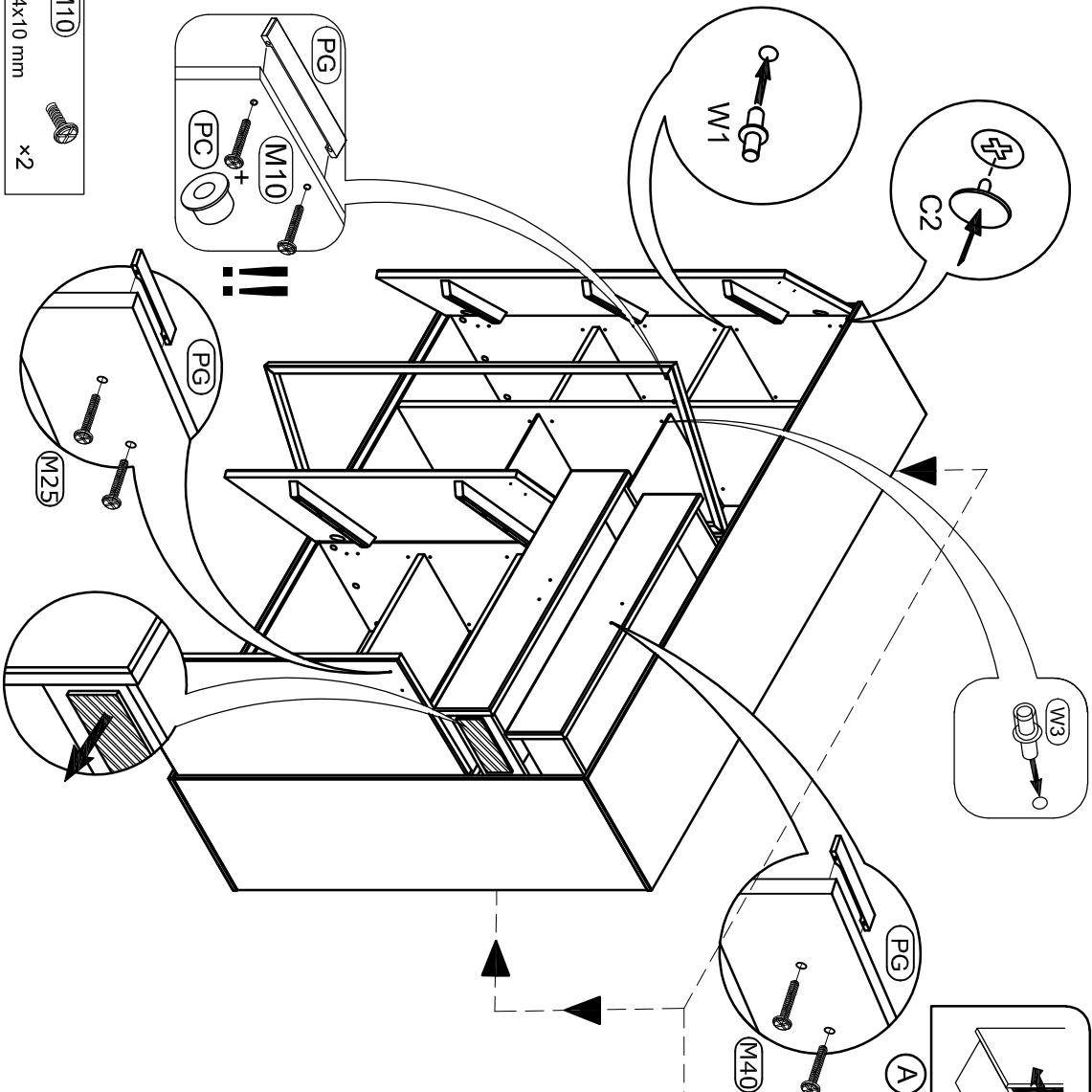
# 1/4



2 Person



<b>(PC)</b> Ø7,9x4mm X 2	<b>(M10)</b> M4x10 mm x2	<b>(M25)</b> M4x25 mm x6	<b>(M40)</b> M4x40 mm x4	<b>(C2)</b> x18	<b>(W3)</b> x8	<b>(A3)</b> 77x20x15 mm x2	<b>(S-16)</b> 4x16 mm x2
<b>(PG)</b> 64 mm mat black x6	<b>(M25)</b> M4x25 mm x6	<b>(C2)</b> x12	<b>(ST)</b> x12	<b>(W3)</b> x8	<b>(A3)</b> 77x20x15 mm x2	<b>(S-16)</b> 4x16 mm x2	
<b>(W1)</b> x16	<b>(M10)</b> M4x10 mm x2	<b>(M25)</b> M4x25 mm x6	<b>(ST)</b> x12	<b>(W3)</b> x8	<b>(A3)</b> 77x20x15 mm x2	<b>(S-16)</b> 4x16 mm x2	



**Achtung:**

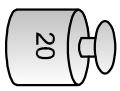
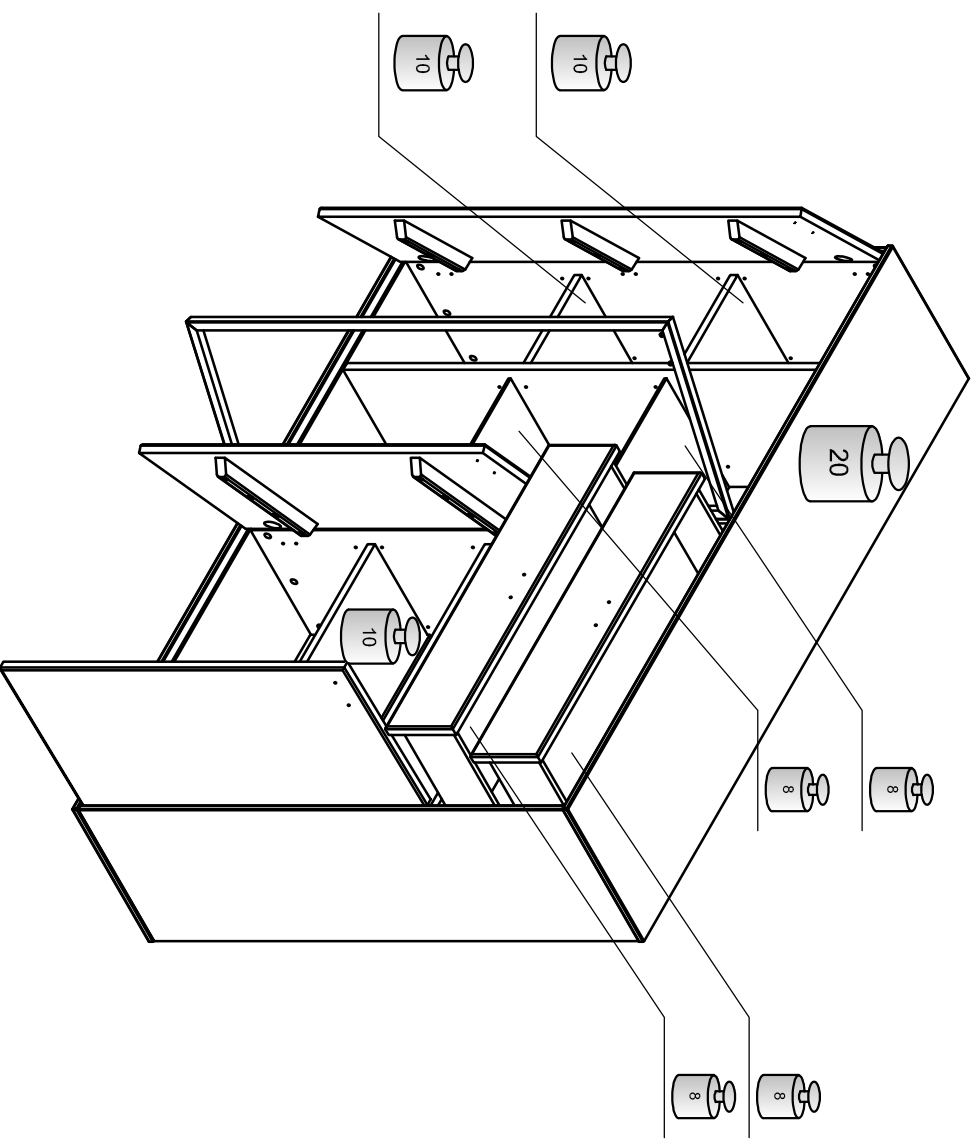
- 1.
- 2.
- 3.
- 4.
- 5.
- 6.
- 7.

Modellname: **ASSINI**

# MONTAGEANLEITUNG

## TYPE T05 - HIGHBOARD

# 2/4



max. 20 kg



max. 10 kg

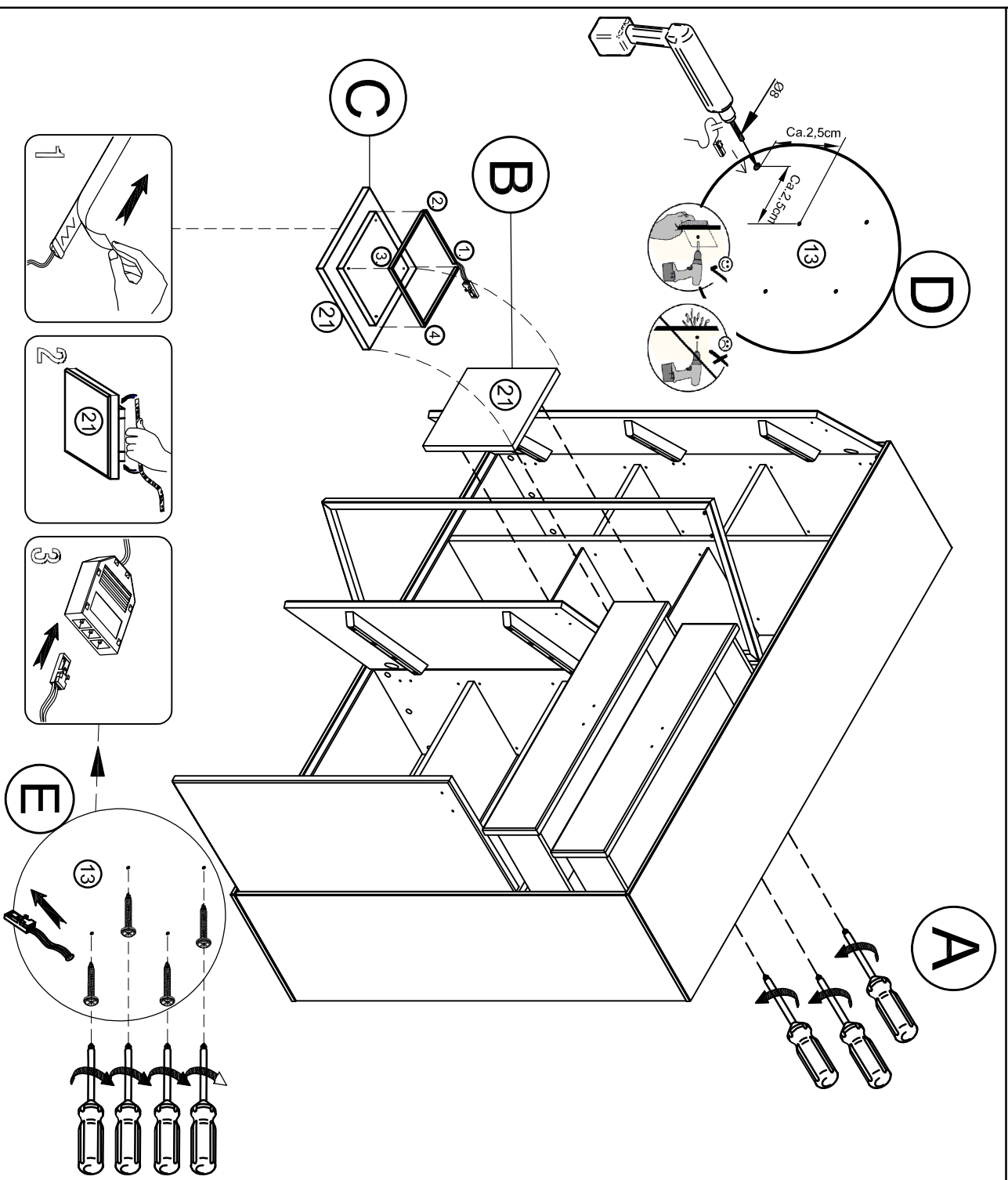


max. 8 kg

Modelname: **ASSINI**

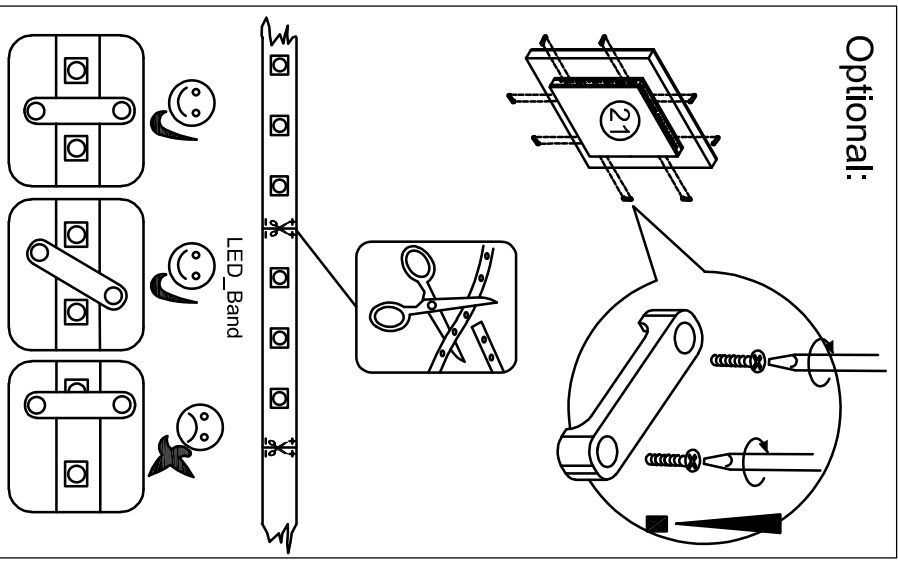
**MONTAGEANLEITUNG**  
TYPE T05 - HIGHBOARD

**3/4**



OPTION		
05082ZB LED Band X1	05021ZB_LED LED X1	005091ZB X1

Optional:



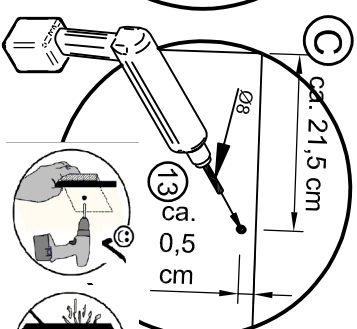
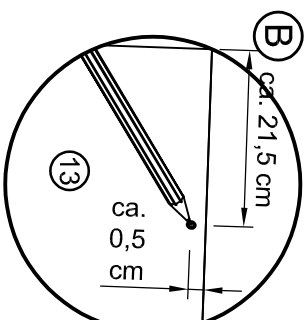
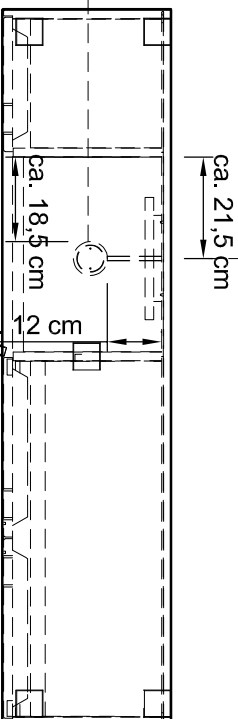
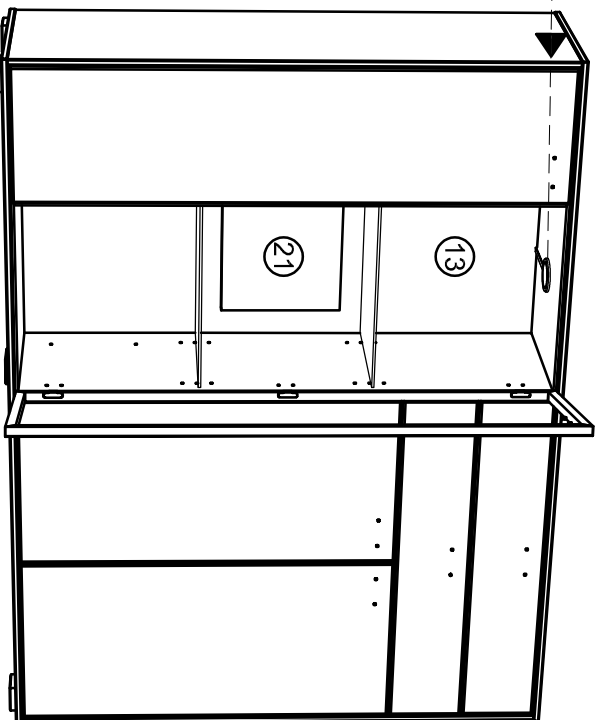
Modellname: **ASSINI**

# MONTAGEANLEITUNG

## TYPE T05 - HIGHBOARD

# 4/4

<b>OPTION</b>		
05082ZB LED Band X1	05021ZB_LED LED X1	005091ZB X1



Montage- und Betriebsanleitung  
für Leuchte "LED Spot Set"

