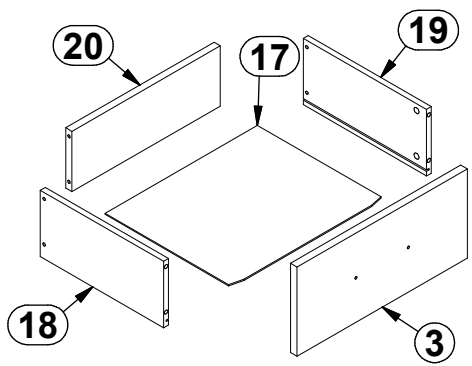


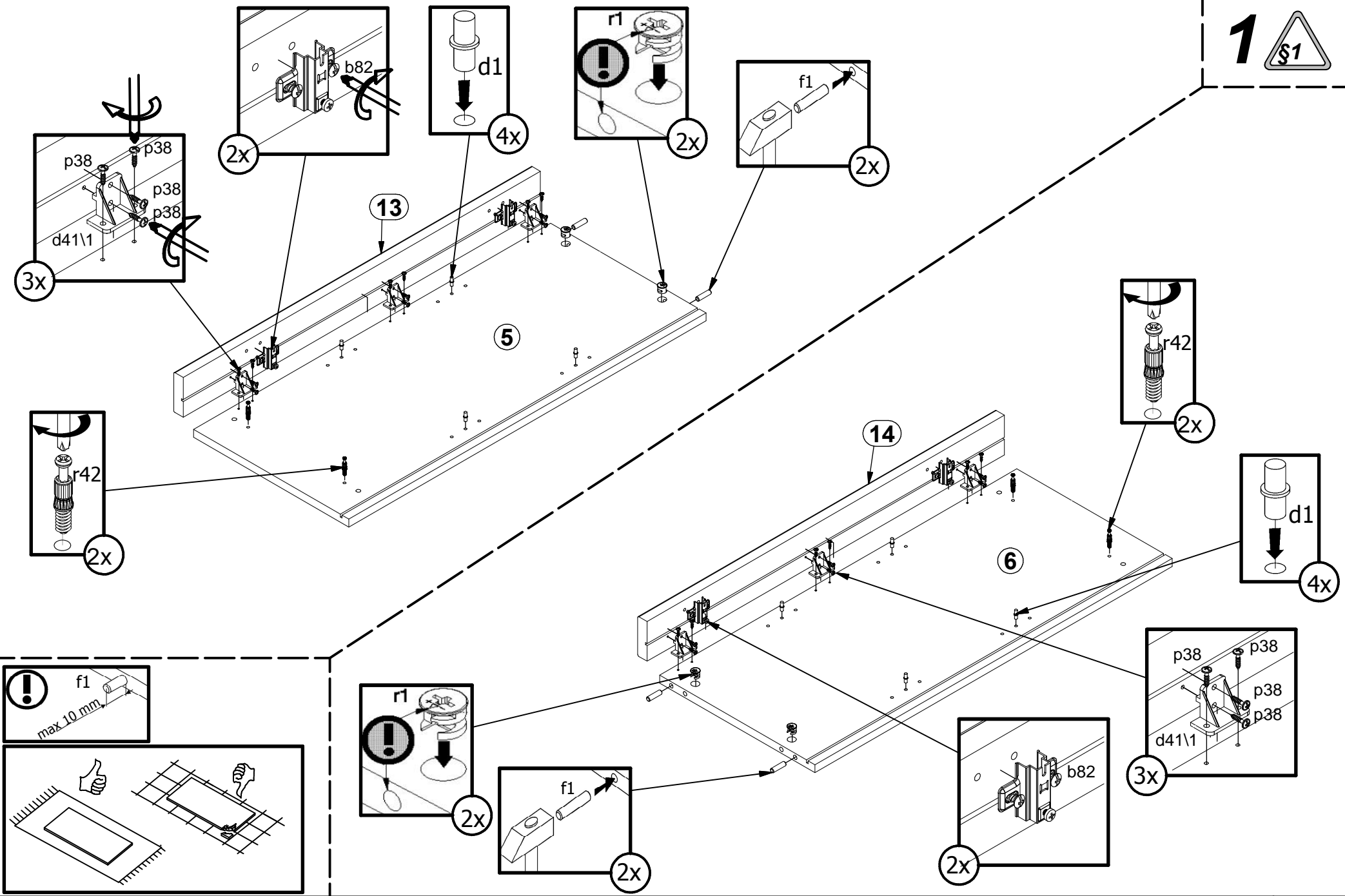
A	B	C1	C2	C3	D
1	M238-5001	60	80	22	2/2
2	M238-7301	218	218	12,	2/2
3	S517-0002	414,	188	16	2/2
5	S517-1004	830	361	16	1/2
6	S517-1005	830	361	16	1/2
7	S517-1007	754	341	16	1/2
8	S517-1006	754	341	16	1/2
9	S517-2002	1219	400	32	1/2
11	S517-3003	375	334	16	1/2
12	S517-3004	1185	341	16	2/2
13	S517-5003	830	80	22	1/2
14	S517-5004	830	80	22	1/2
15	S517-7352	764	316	16	1/2
16	S517-9302	1195	773,	2,5	2/2
17	WSP-9336	371	308	2,5	2/2
18	ZQ6-509	300	140	12	2/2
19	ZQ6-510	300	140	12	2/2
20	ZQ6-5126	361	127	15	2/2

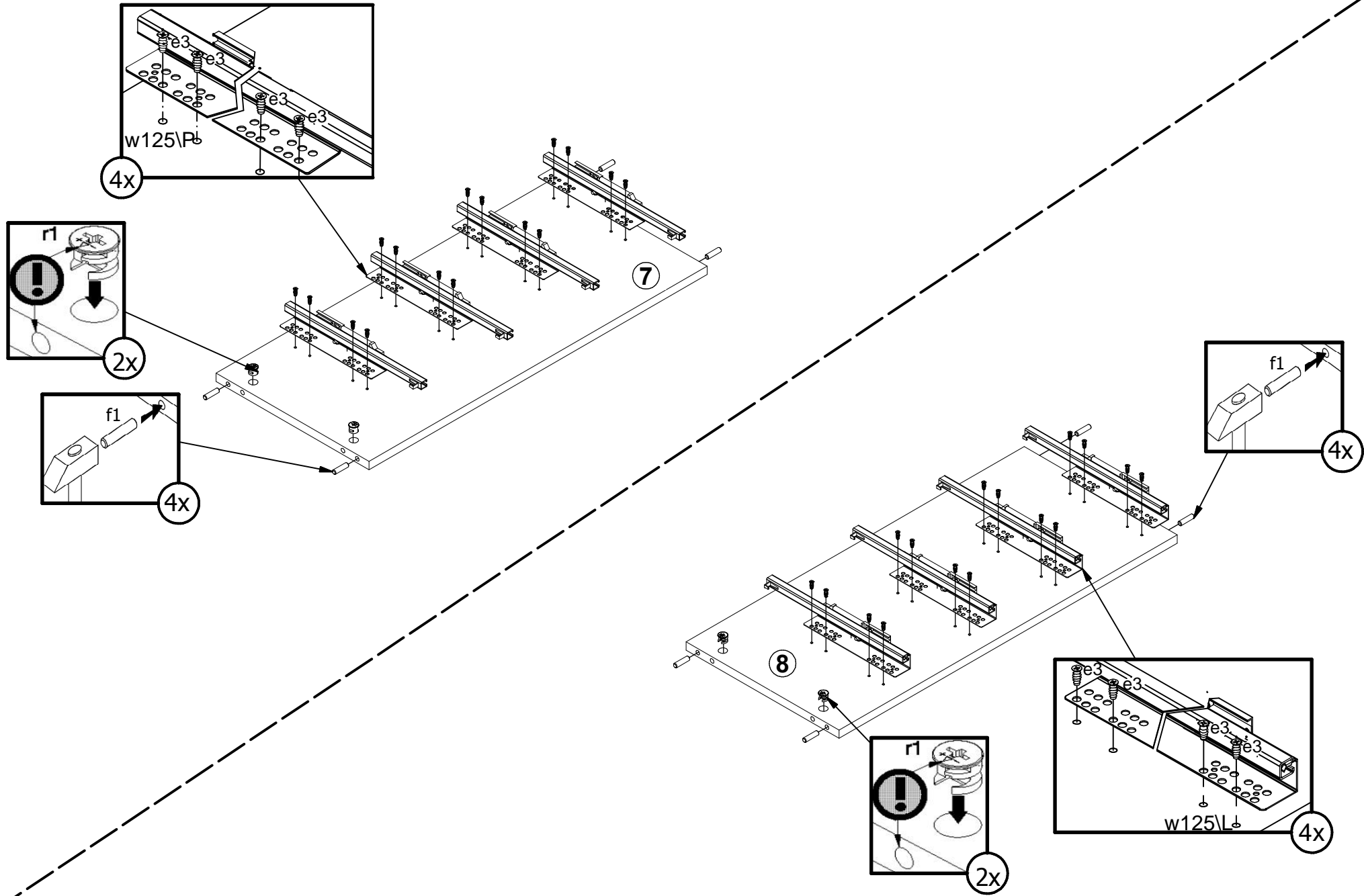


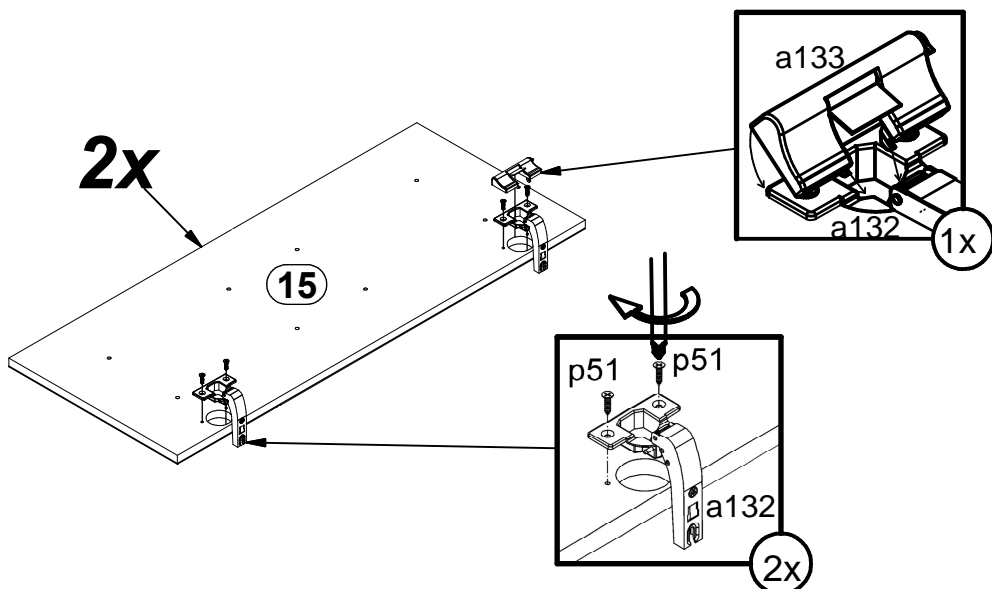
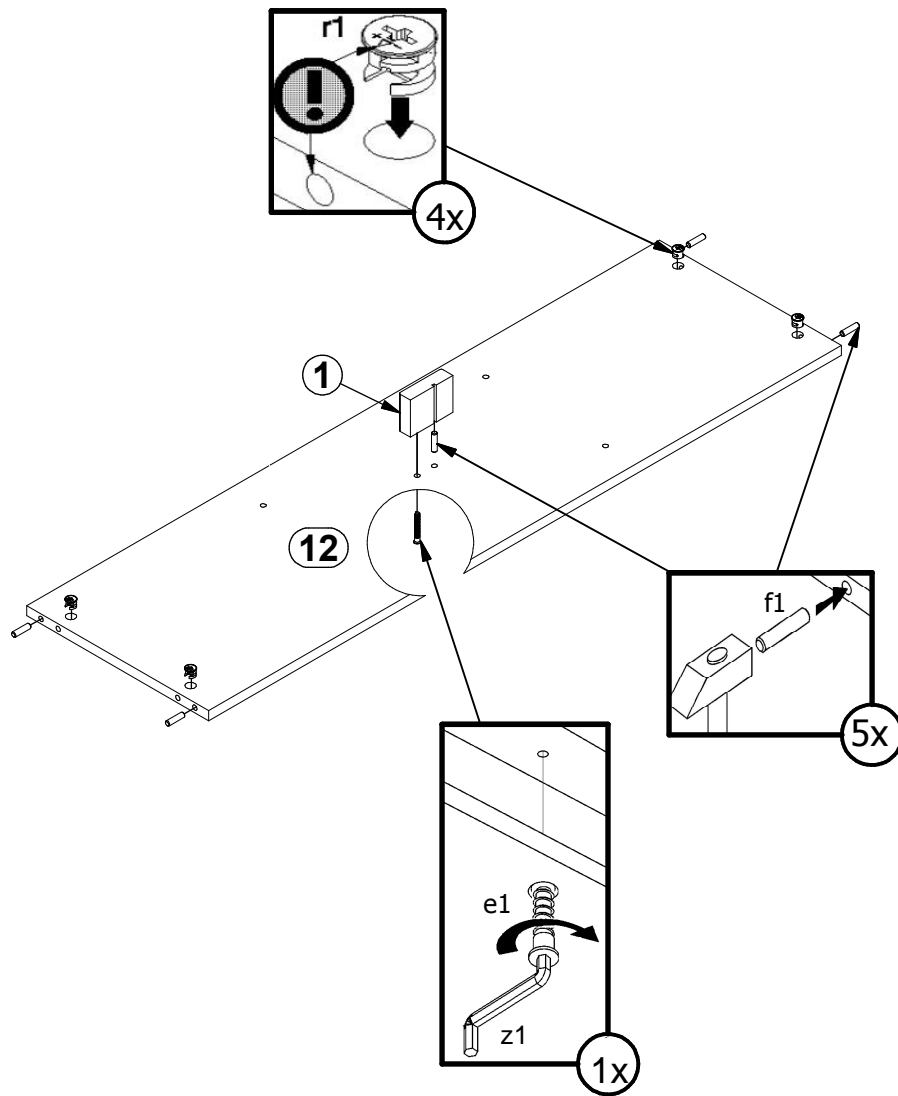
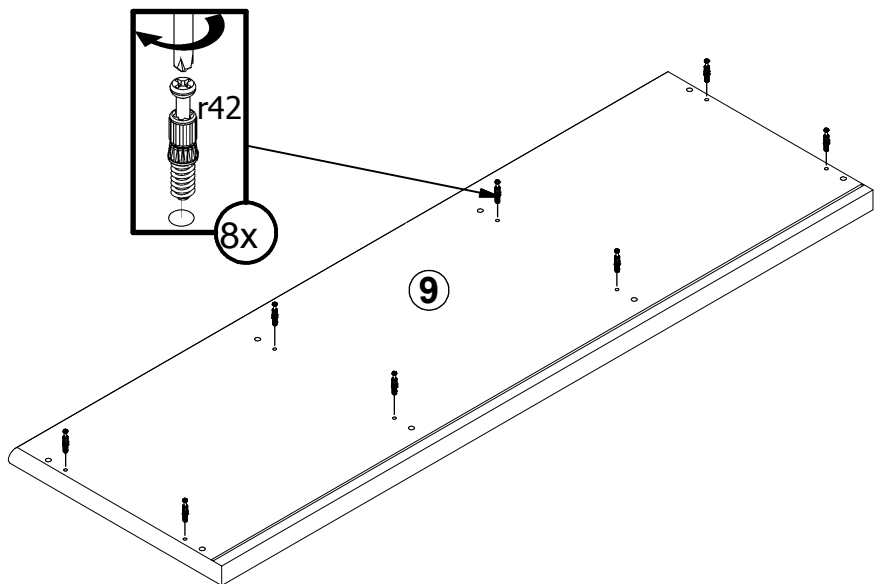
4x a132	2x a133	4x H4 b82	6x L-148mm c469\2
16x Ø5x17 mm d1	6x d41\1	5x Ø7x50 mm e1	32x Ø6x13 mm e3
17x Ø8x30 mm f1	16x Ø6,5x40 mm f25	5x k1	7x l2
68x Ø3,5x16 mm p38	8x Ø3,5x15 mm p51	8x Ø2,9x16 mm p55	12x Ø4x22 mm p60
12x Ø15x12 mm #16 r1	16x Ø12x10,5 mm #12 r15	28x Ø11 r42	4x w125\L 300mm
4x w125\P 300mm	1x z1	1x s73	4x s2

2x Ø3,5x16 mm p38	1x Ø5x60 mm p17
1x n14\2	1x Ø10x50 mm f35

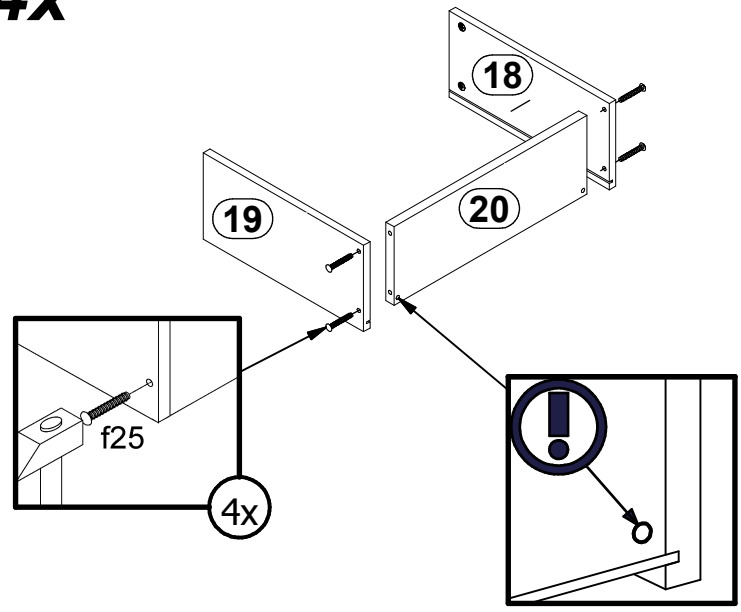




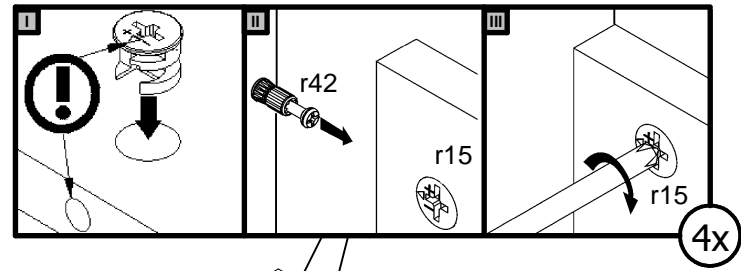
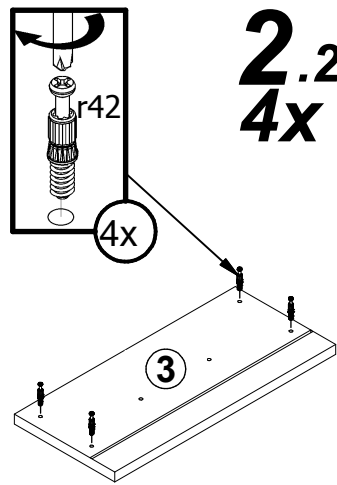




2.1
4x

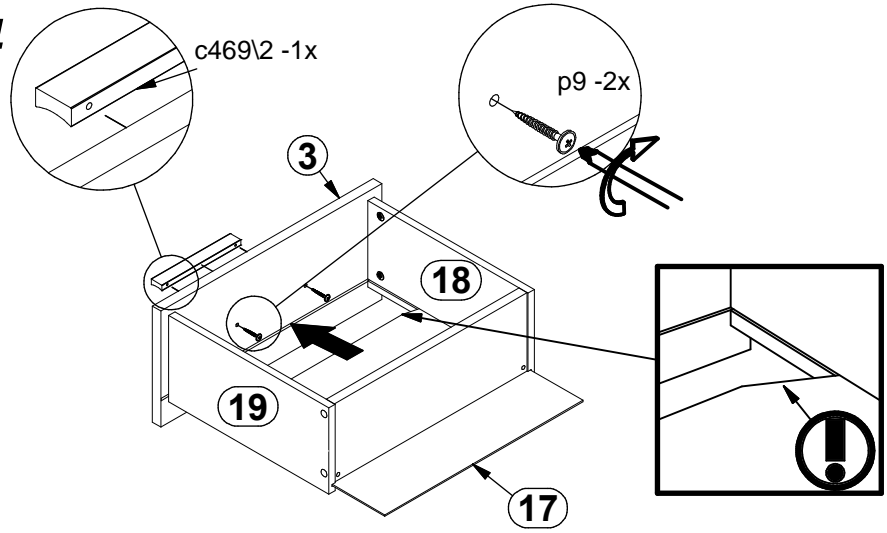


2.2
4x

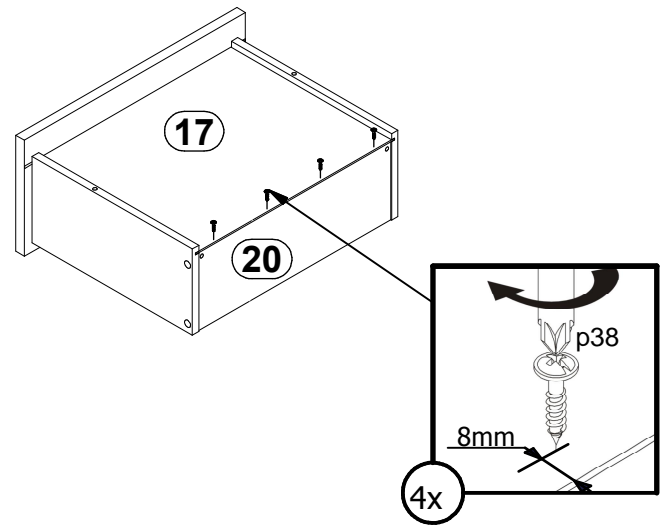


2.3
4x

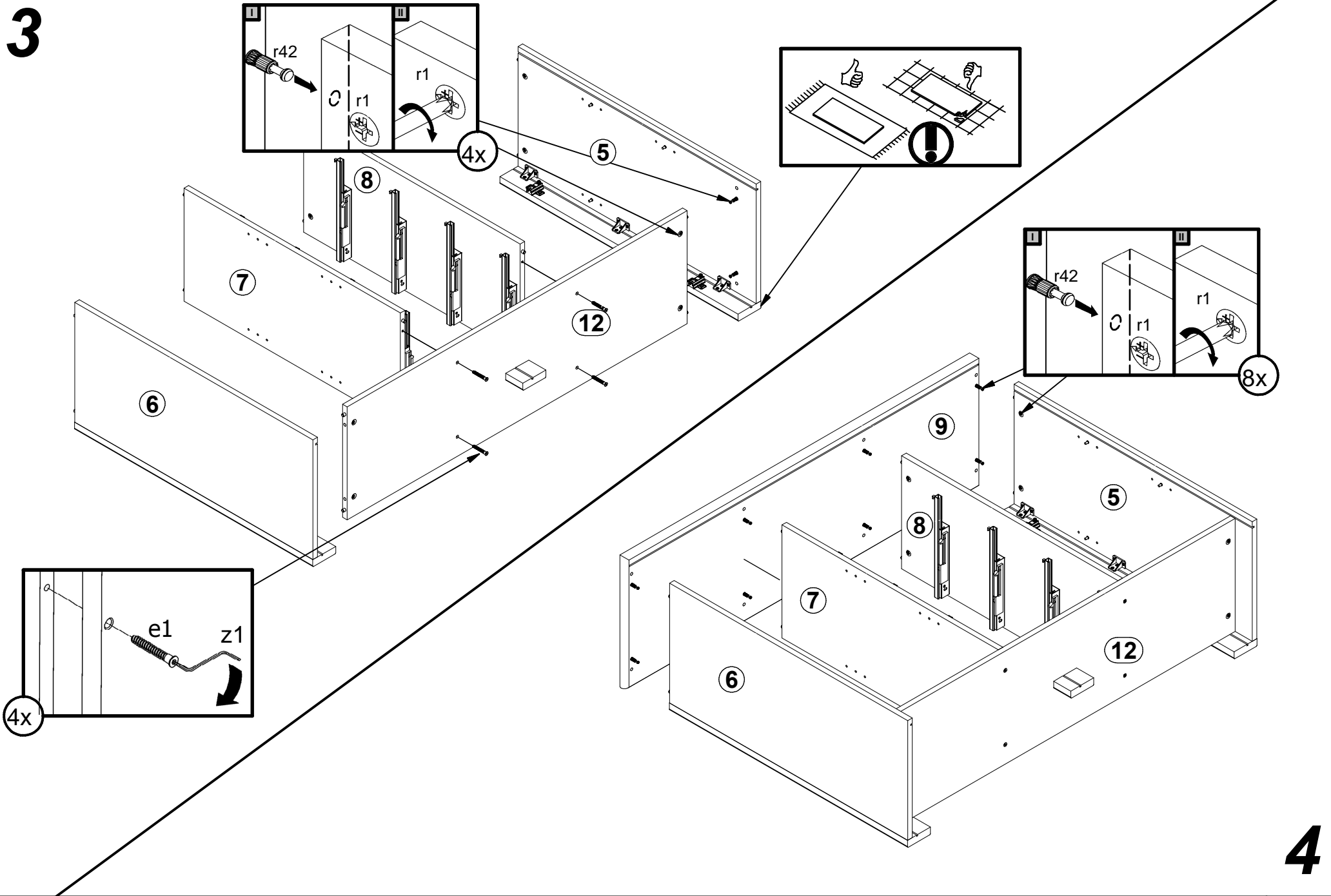
2.4
4x



2.5
4x

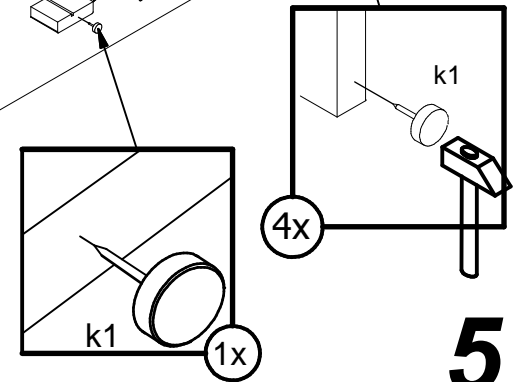
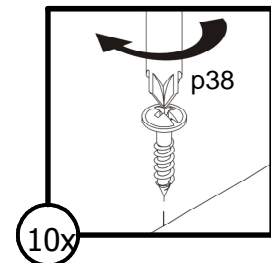
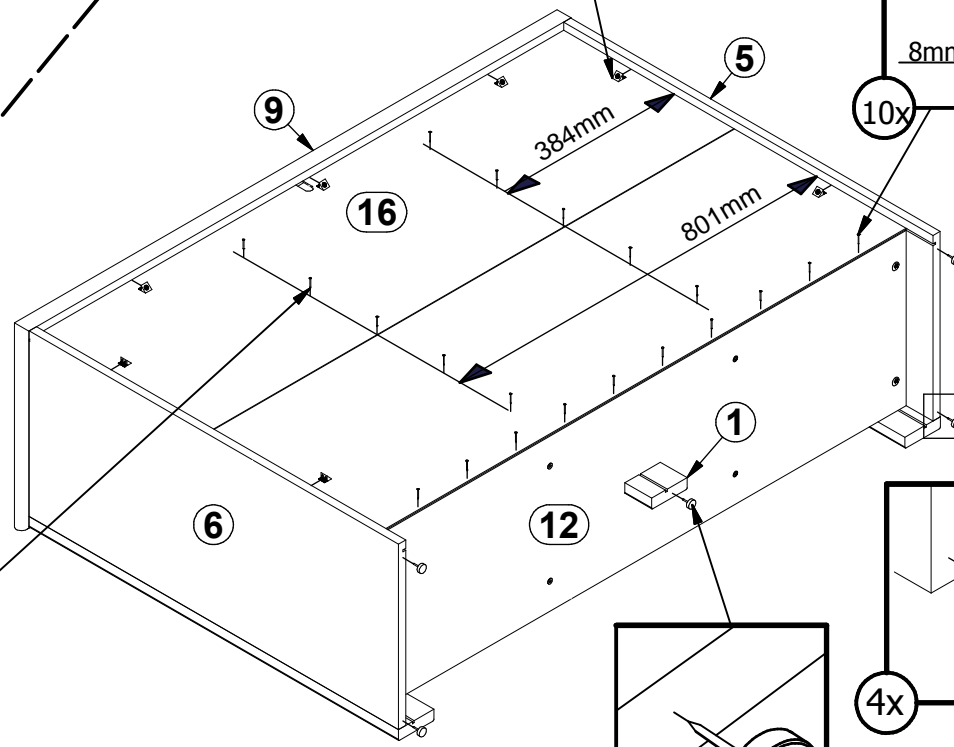
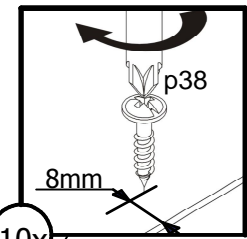
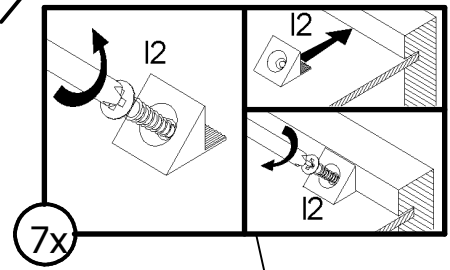
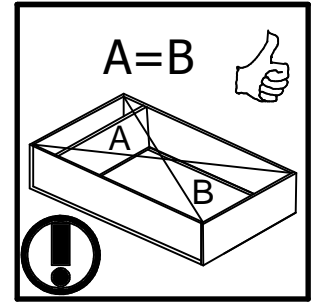
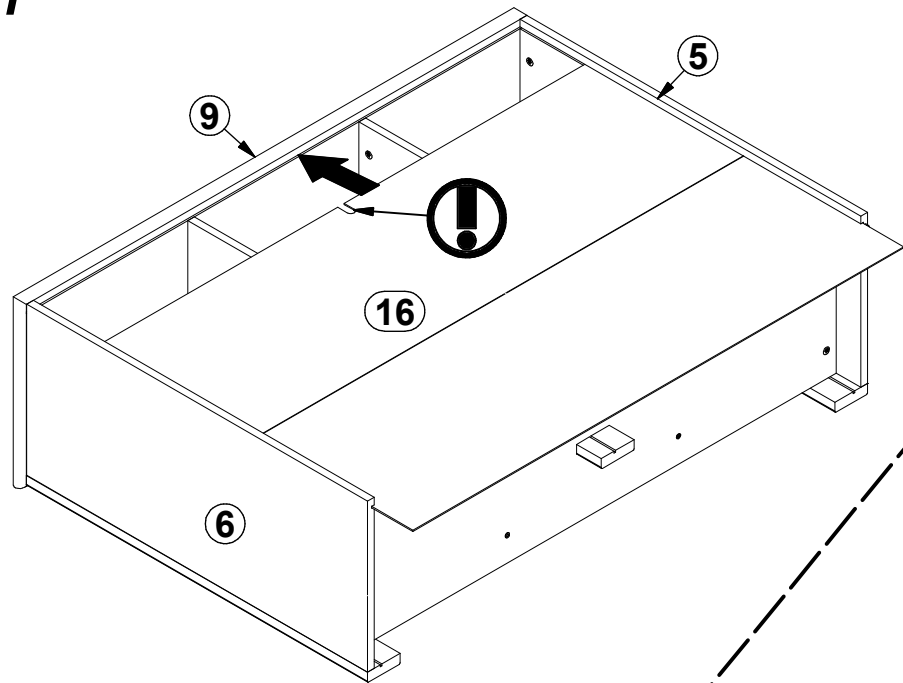


3

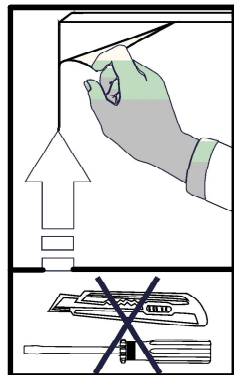
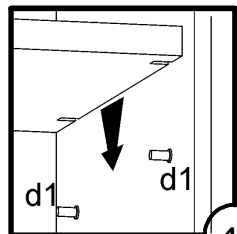
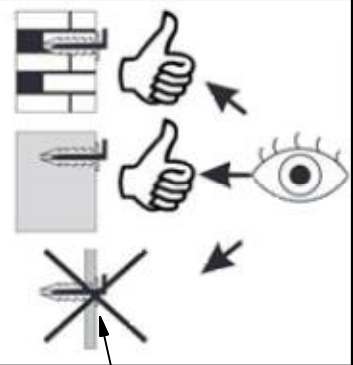
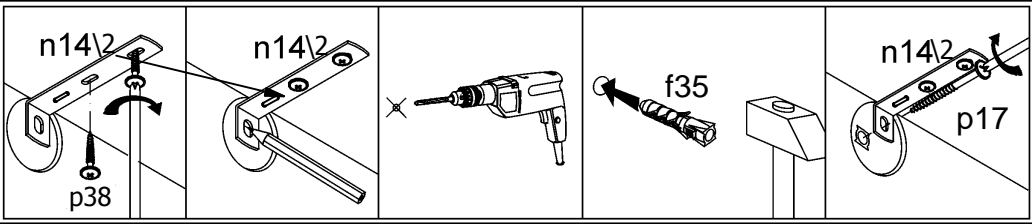


4

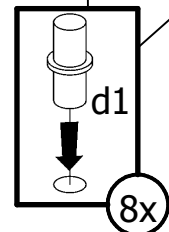
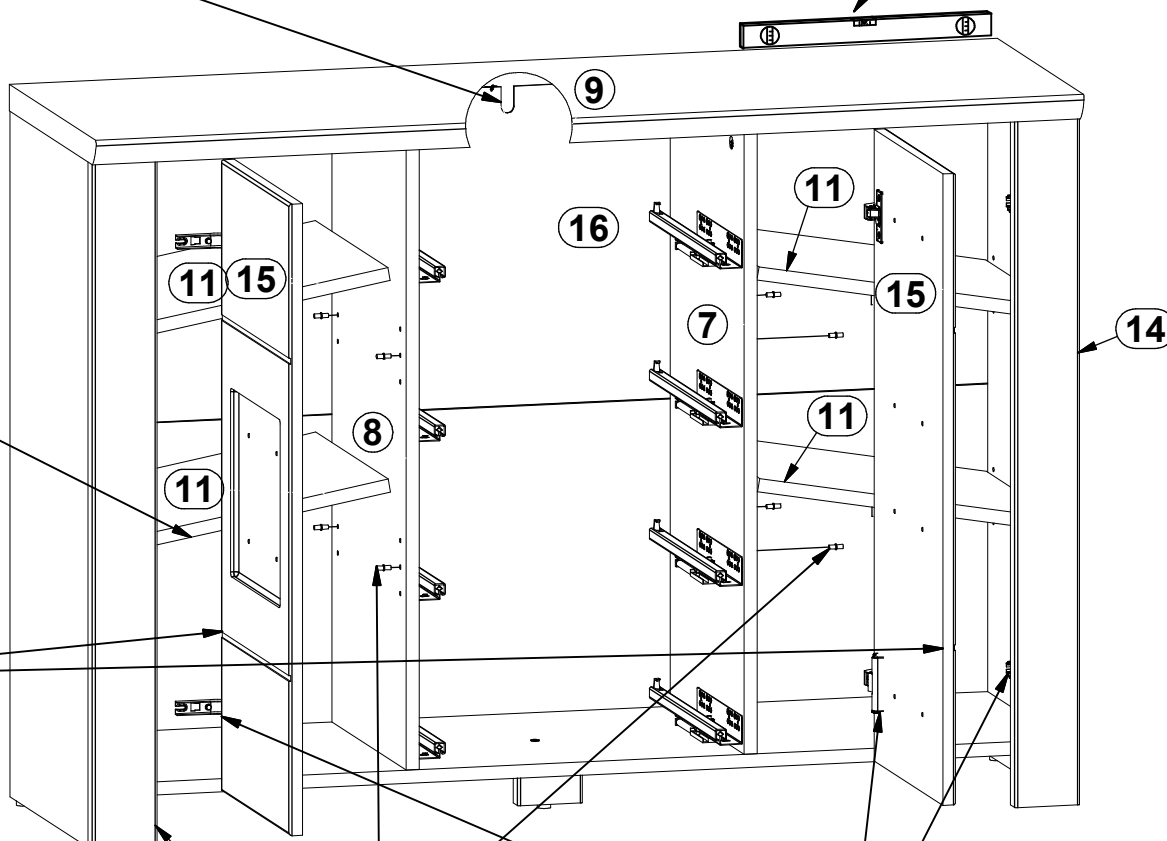
5.1



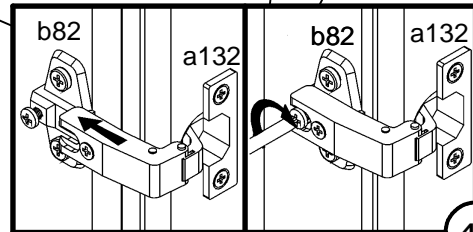
5.2



4x

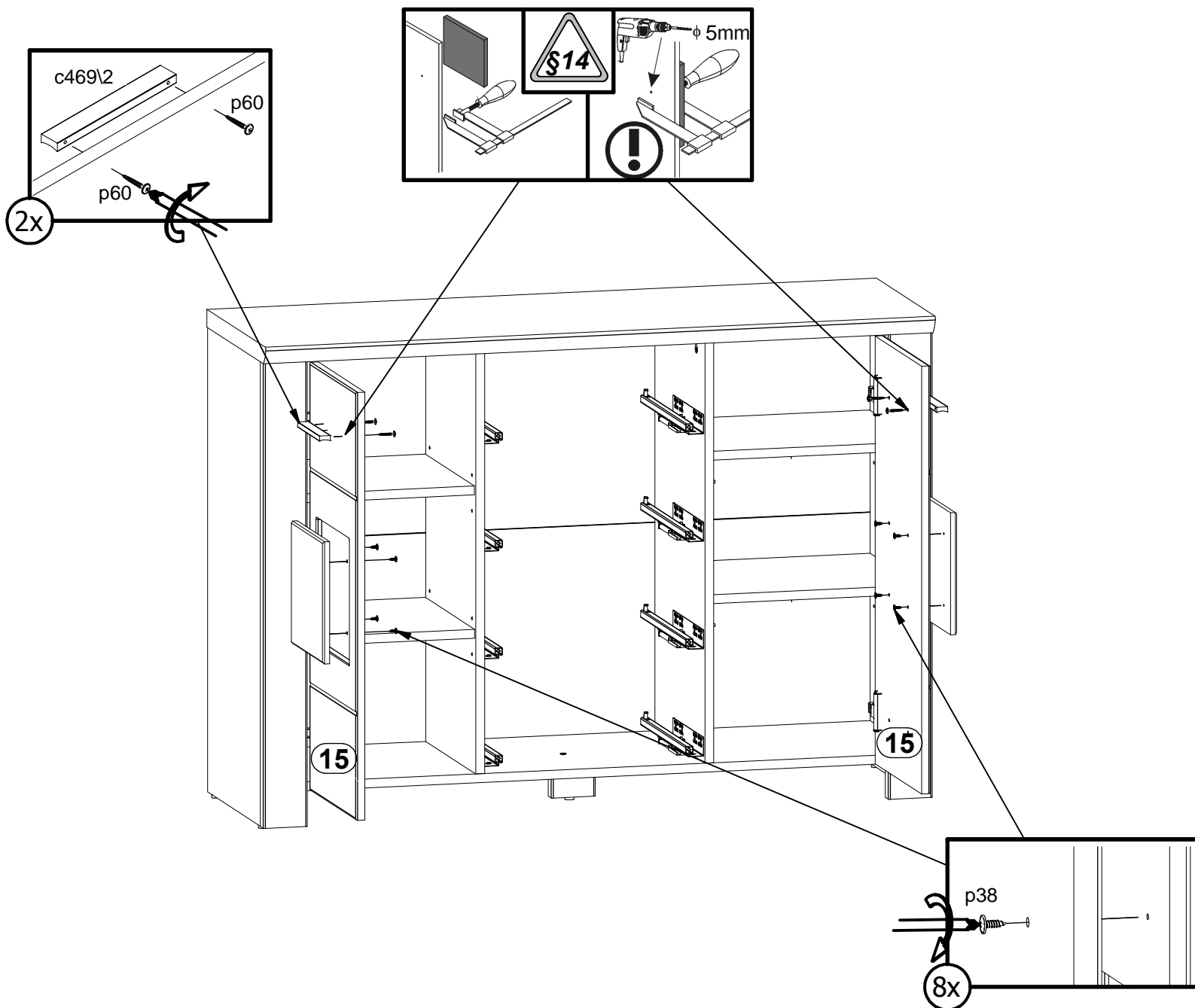


8x



4x

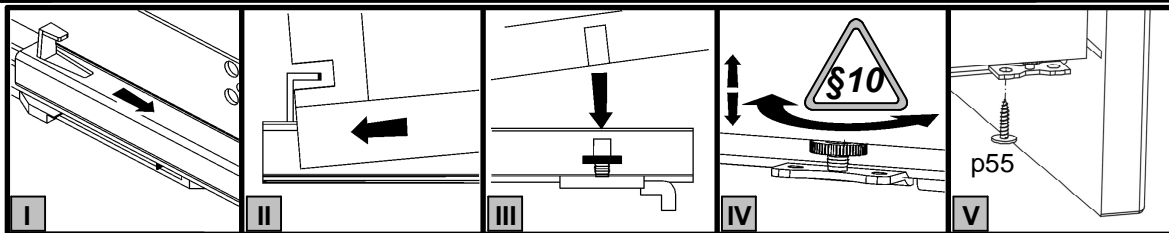
2x Ø3,5x16 mm p38	1x Ø5x60 mm p17
1x 86x21x151,5 n14\2	1x Ø10x50 mm f35



A

S517-KOM2D4S/9/12

5019--26



8

