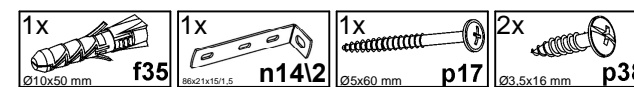
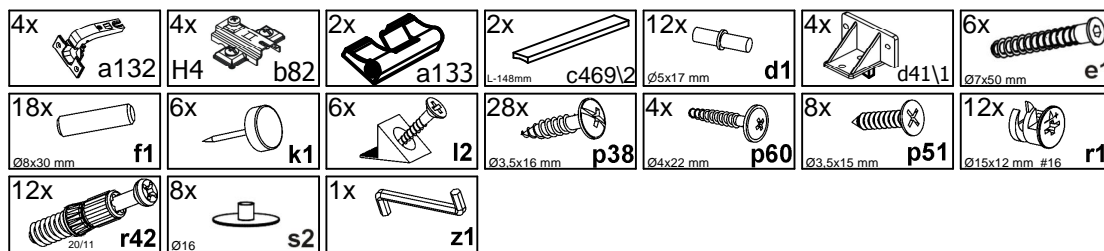
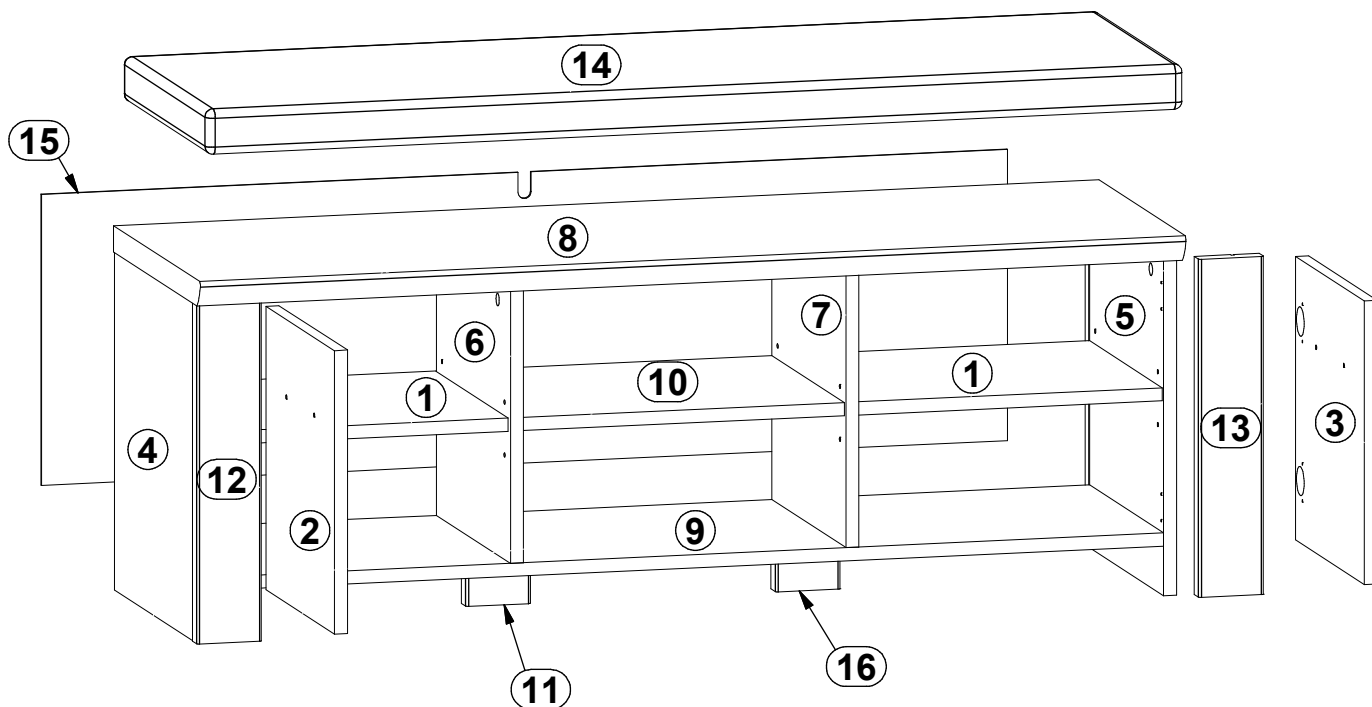
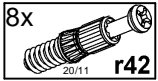
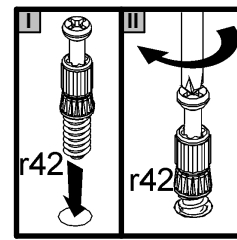
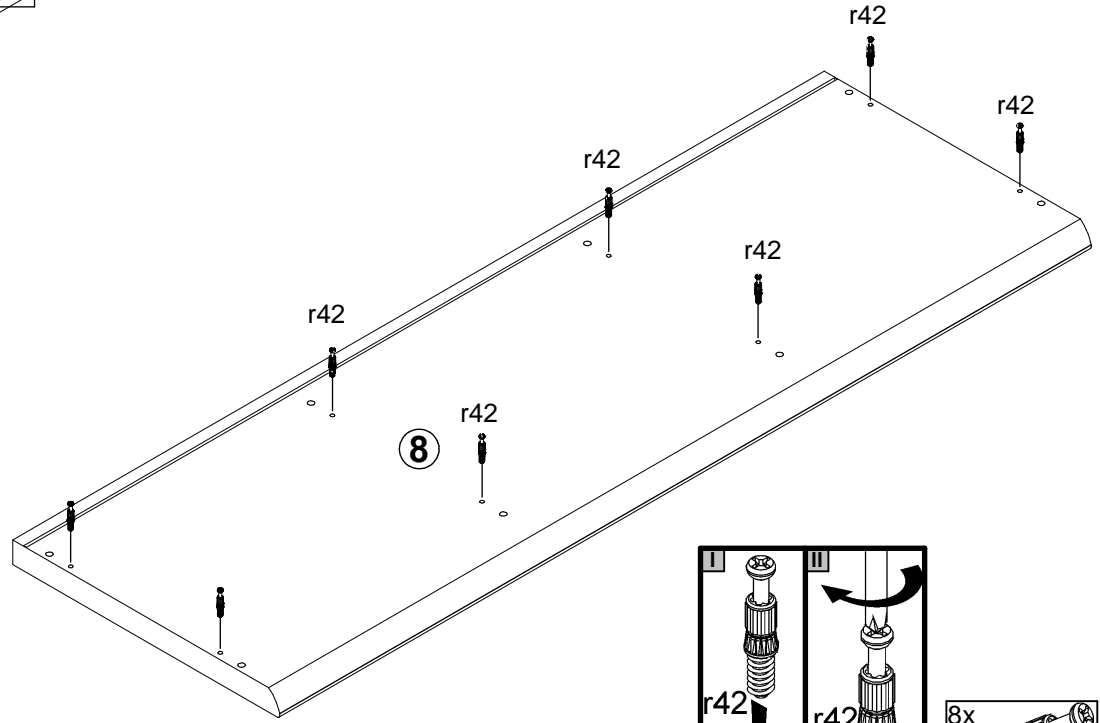
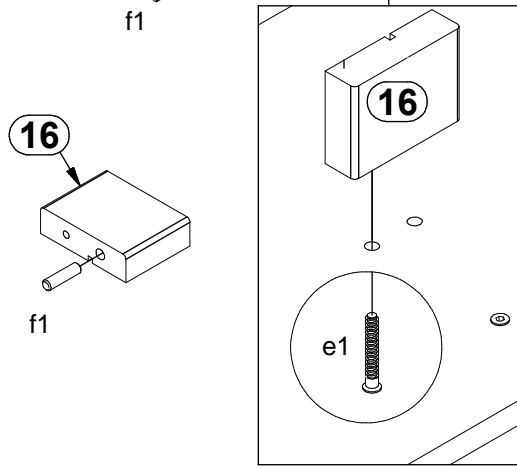
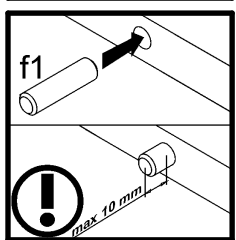
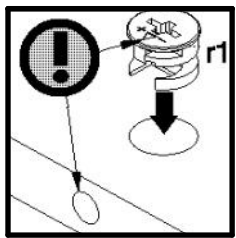
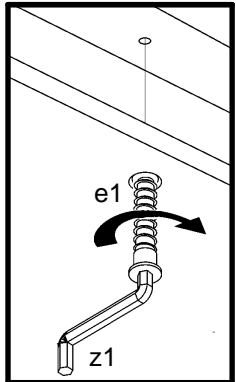
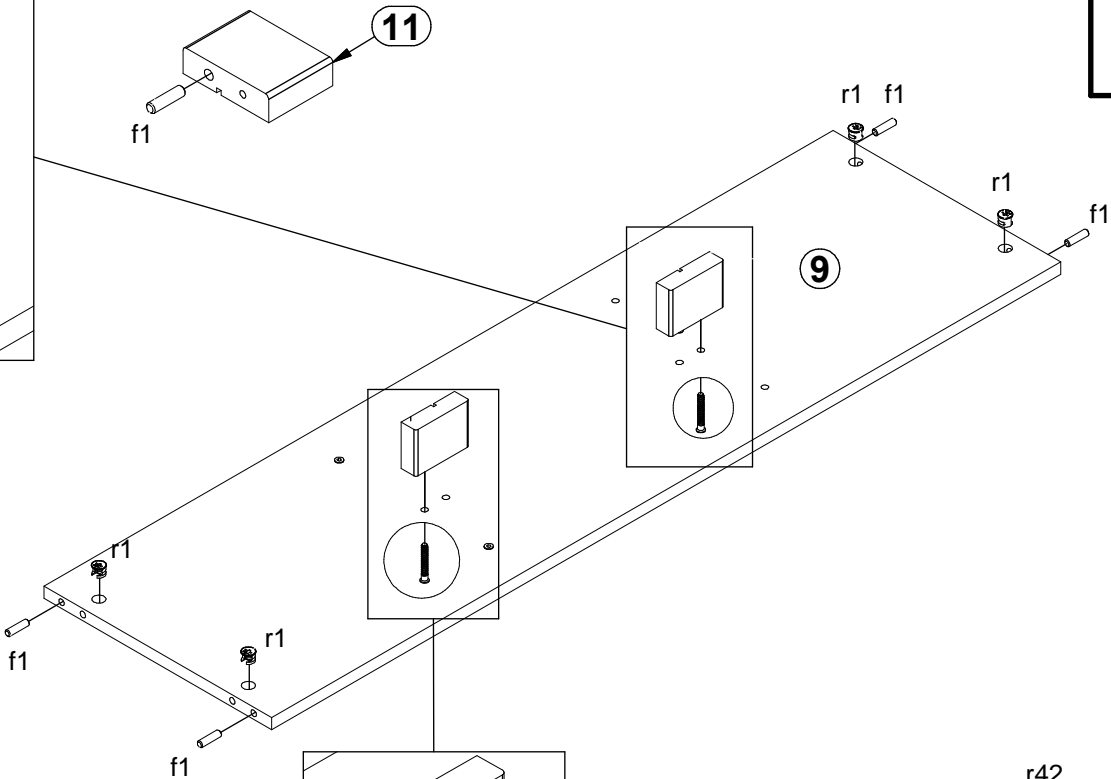
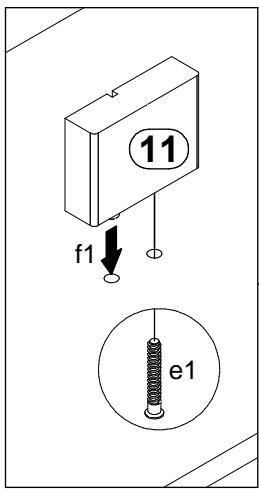
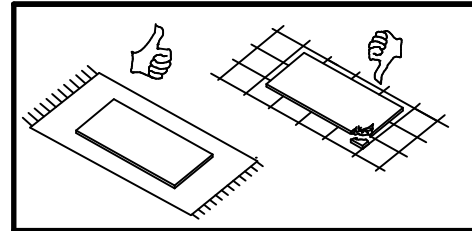
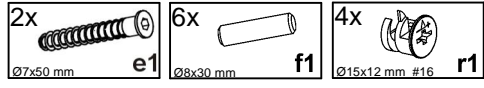
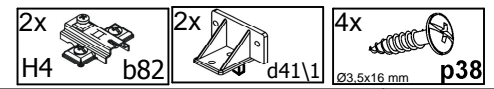
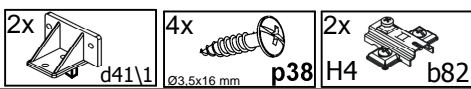
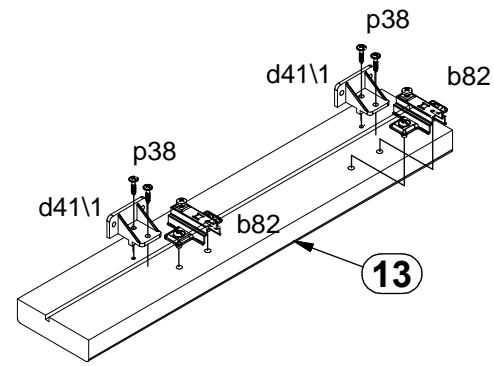
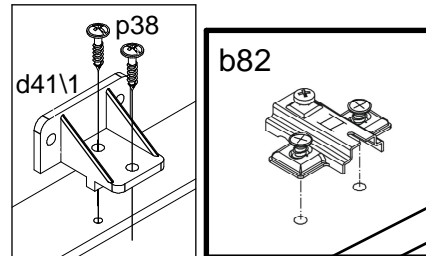
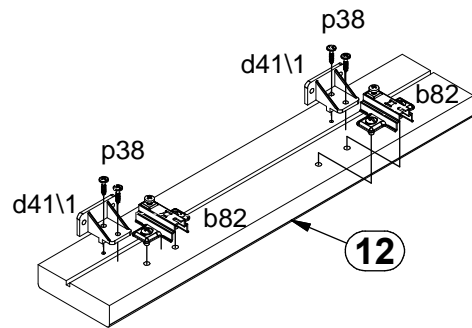
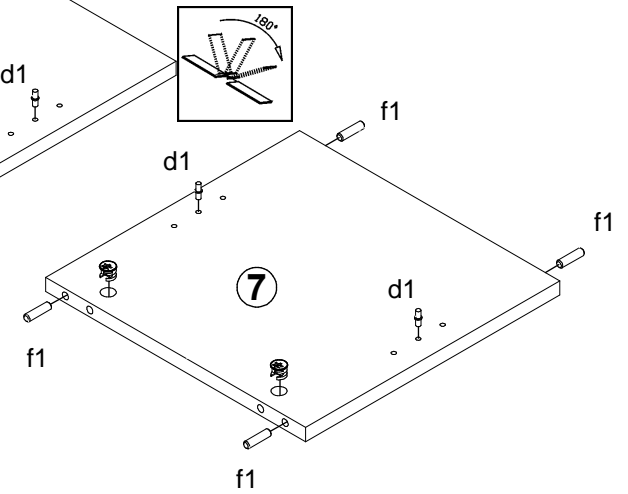
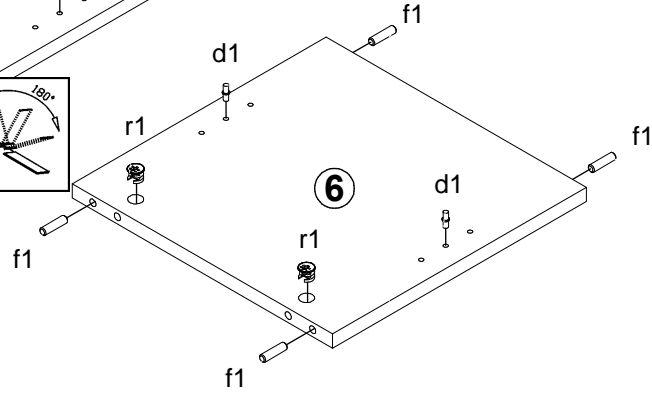
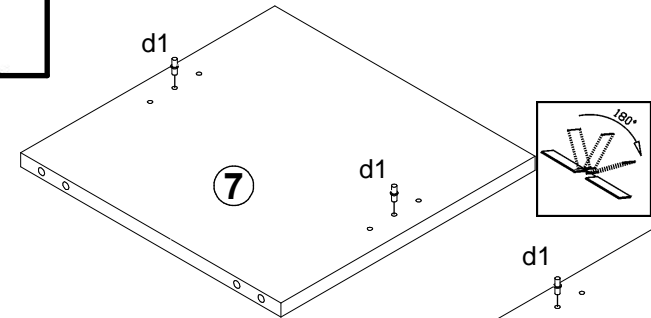
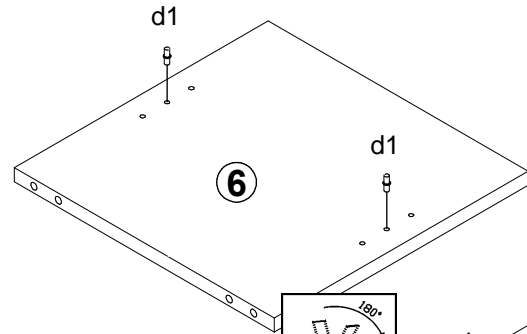
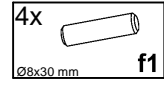
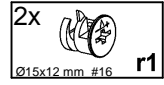
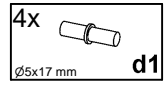
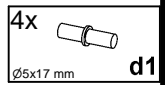
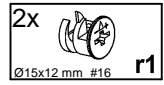
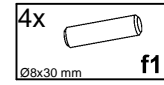
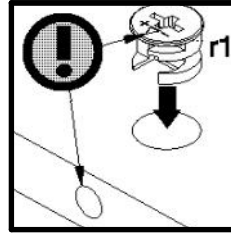
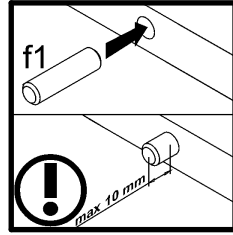
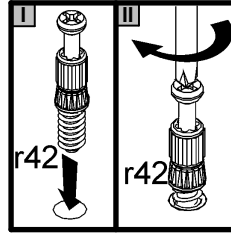
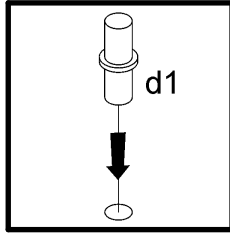
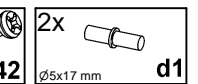
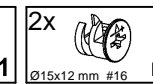
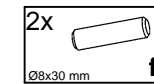
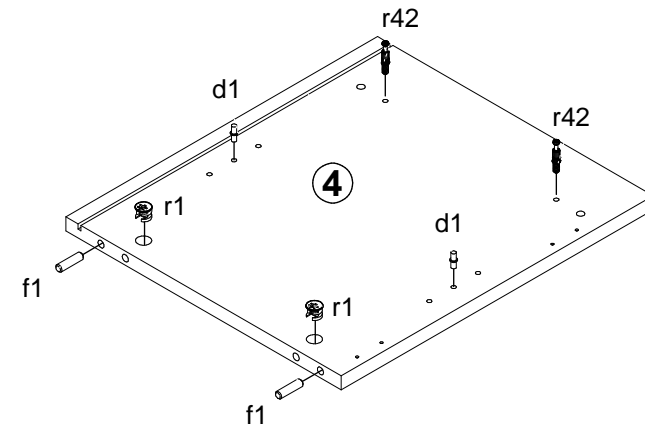
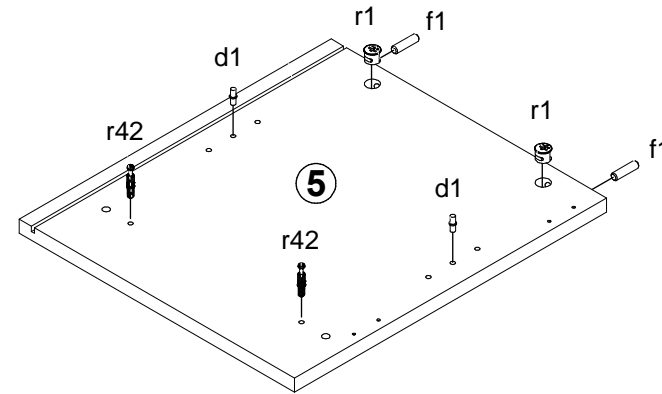
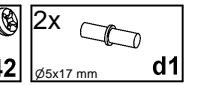
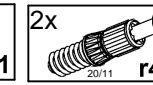
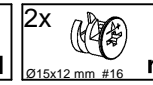
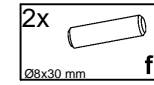
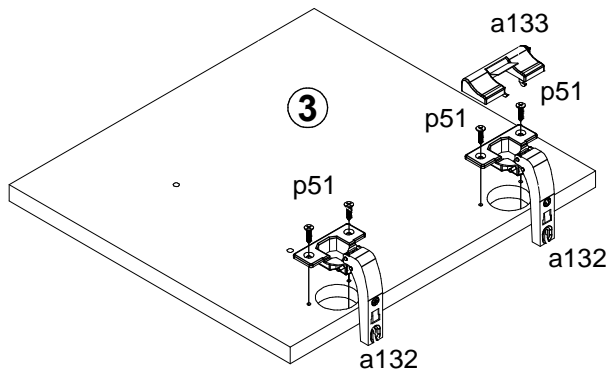
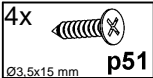
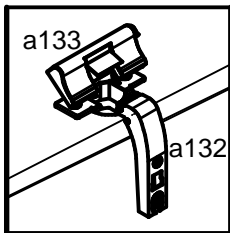
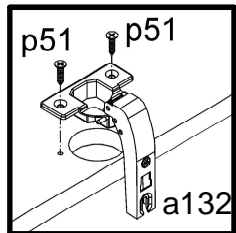
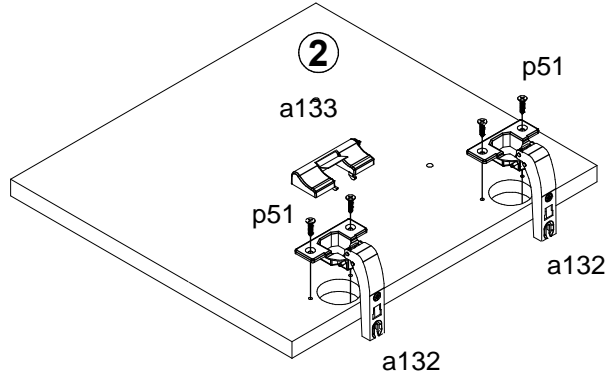


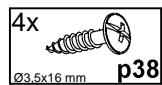
A	B	C1	C2	C3	D
1	M222-3006	375	334	16	2/2
2	M238-0001	316	343	16	2/2
3	M238-0005	316	343	16	2/2
4	M238-1001	409	361	16	2/2
5	M238-1011	409	361	16	2/2
6	M238-1003	333	341	16	2/2
7	M238-1010	333	341	16	2/2
8	M238-2001	1216	400	32	1/2
9	M238-3006	1182	341	16	2/2
10	M238-3007	397	334	16	2/2
11	M238-5001	60	80	22	1/2
12	M238-5002	409,	80	22	1/2
13	M238-5003	409,	80	22	1/2
14	M238-5301	1205	390	55	1/2
15	M238-9001	352	1192	2,5	1/2
16	M238-5010	60	80	22	1/2



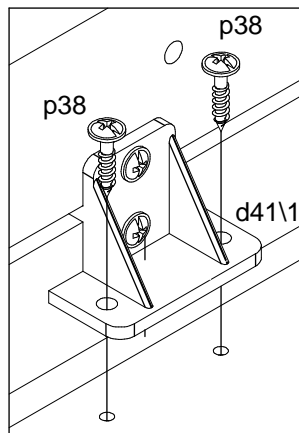
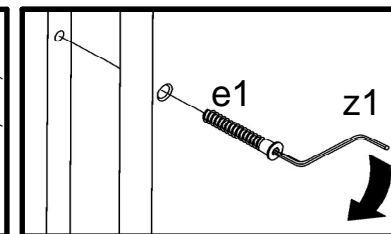
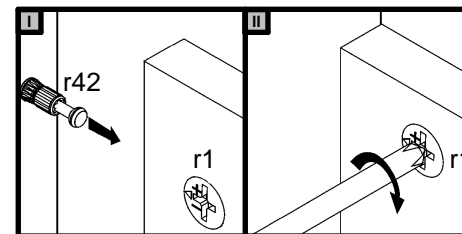
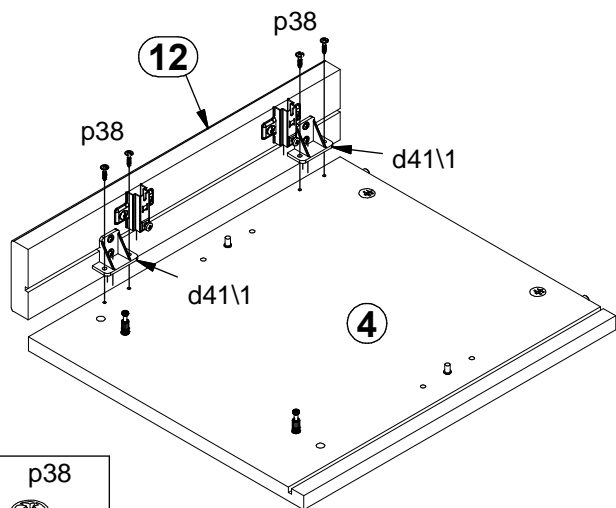




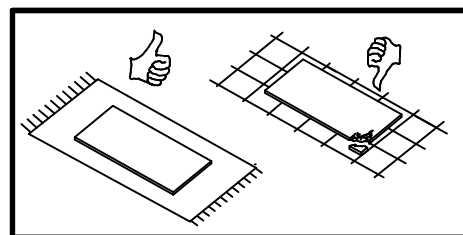
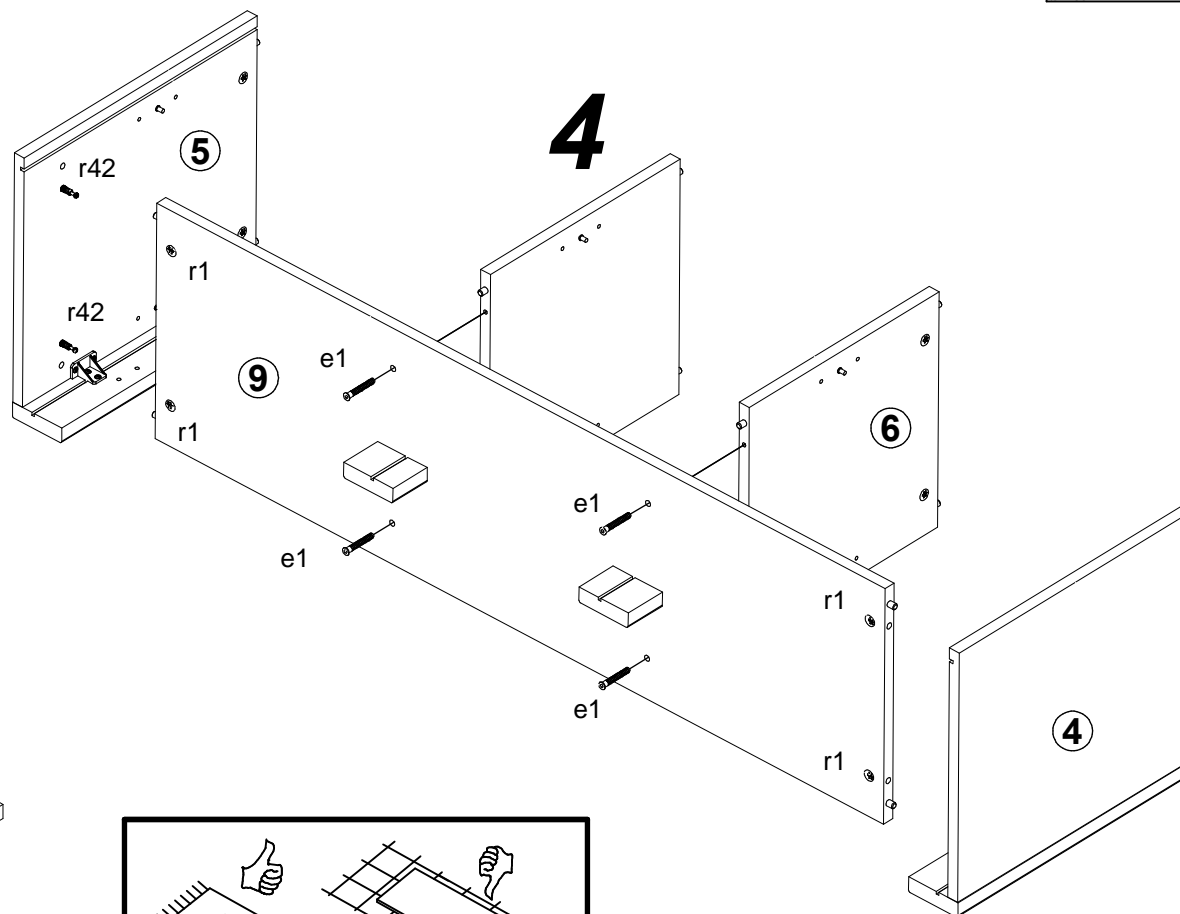
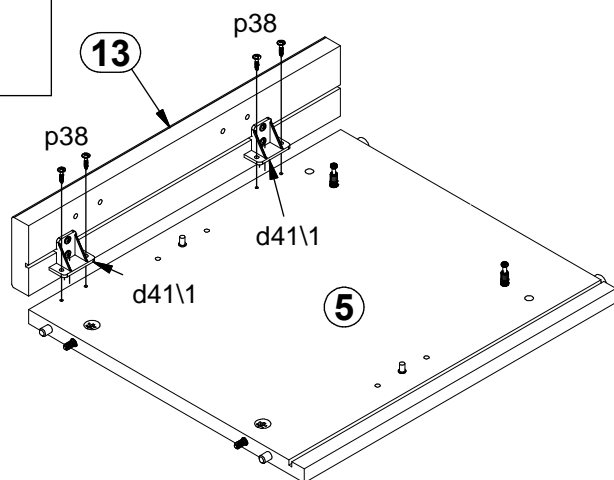


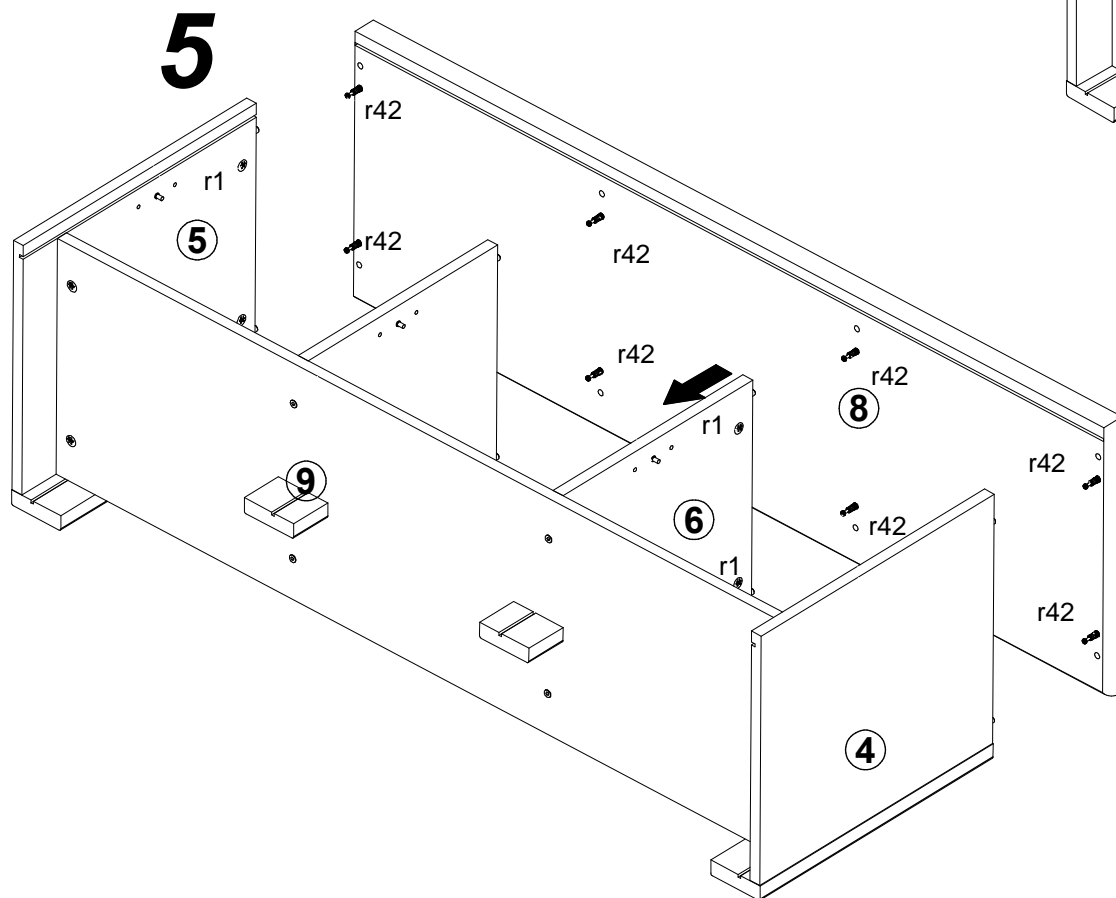
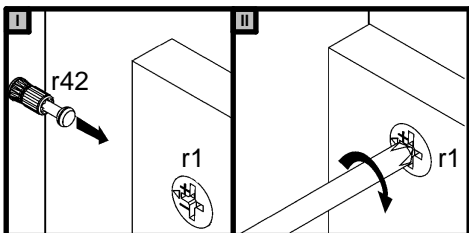


2

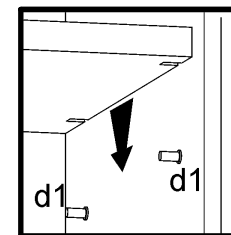
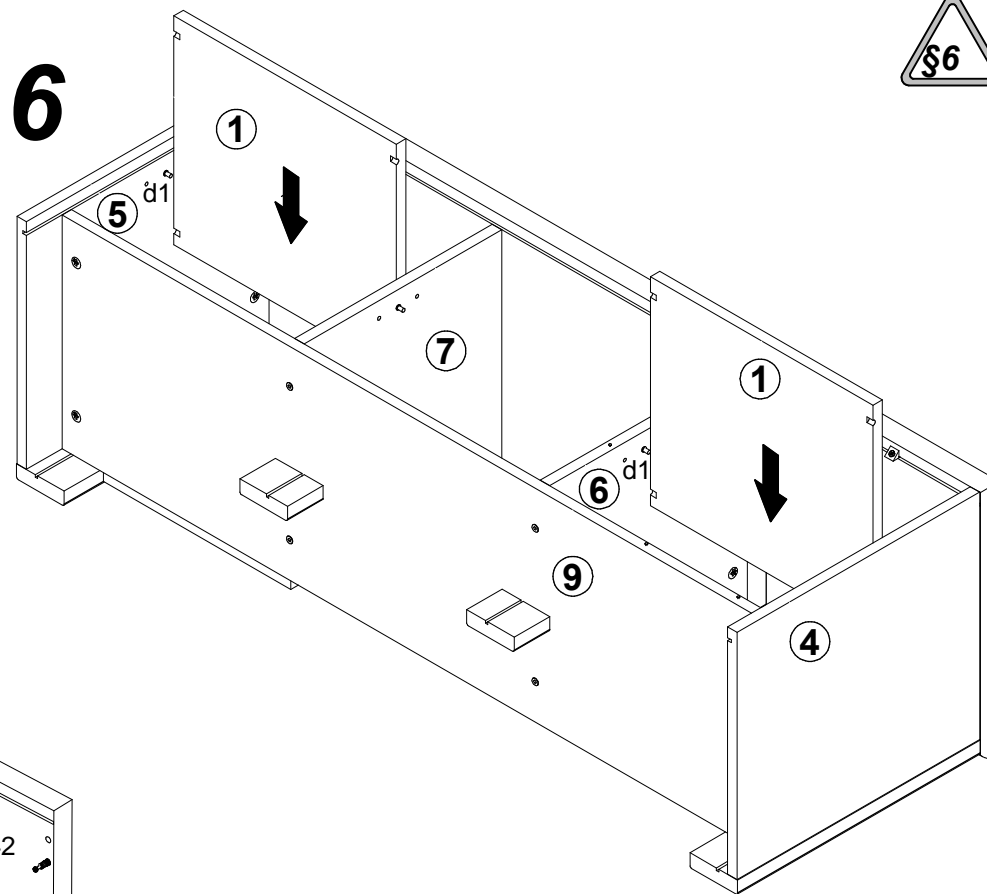


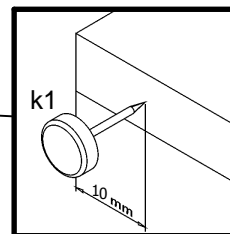
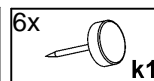
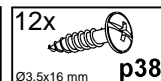
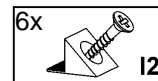
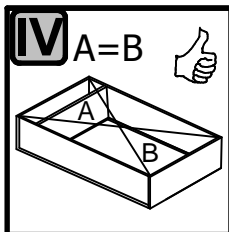
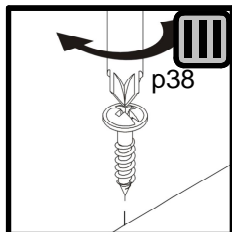
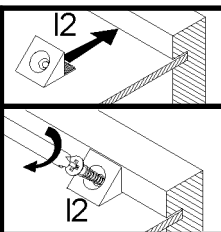
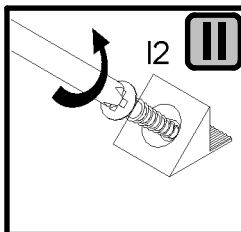
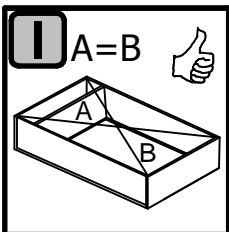
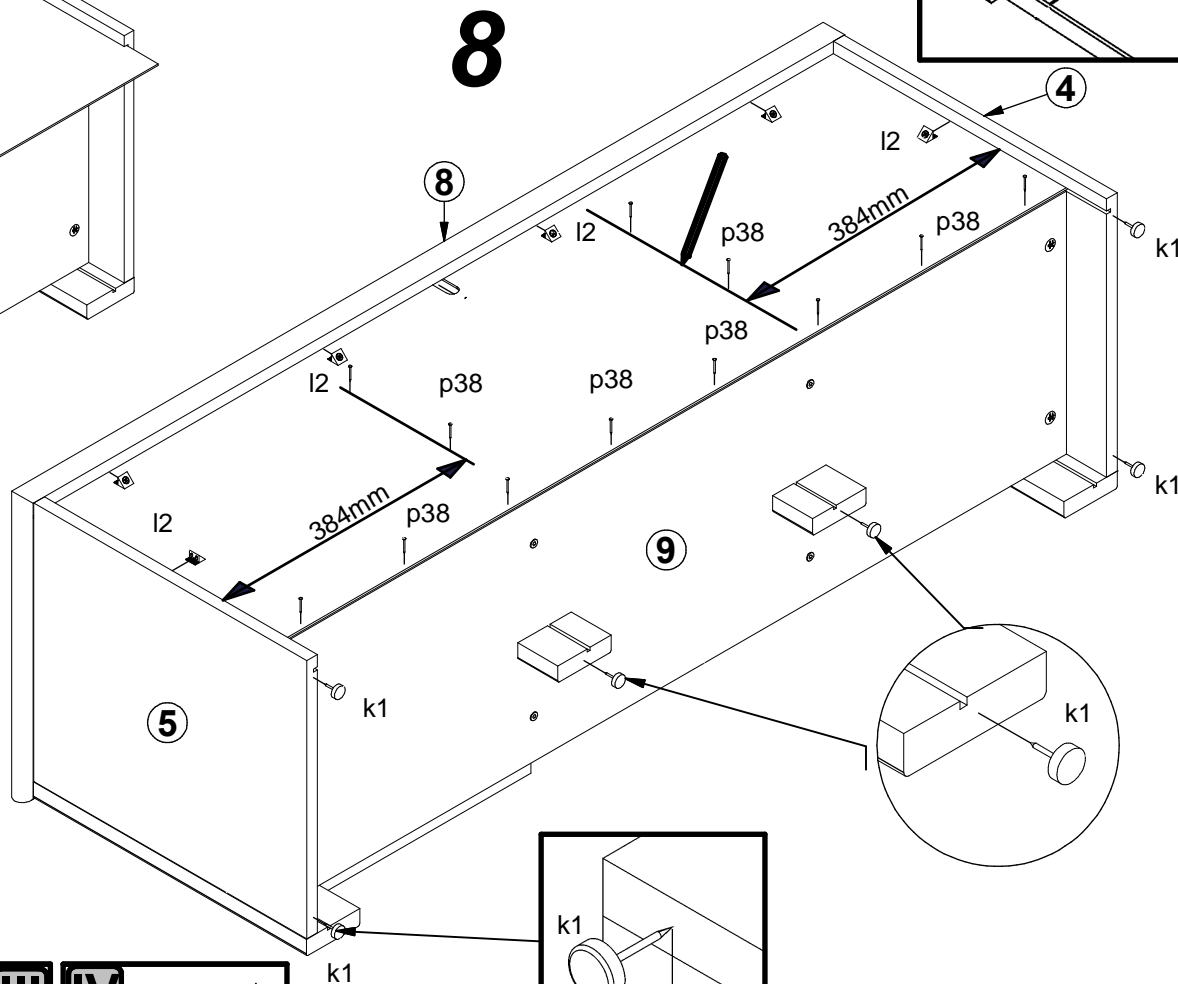
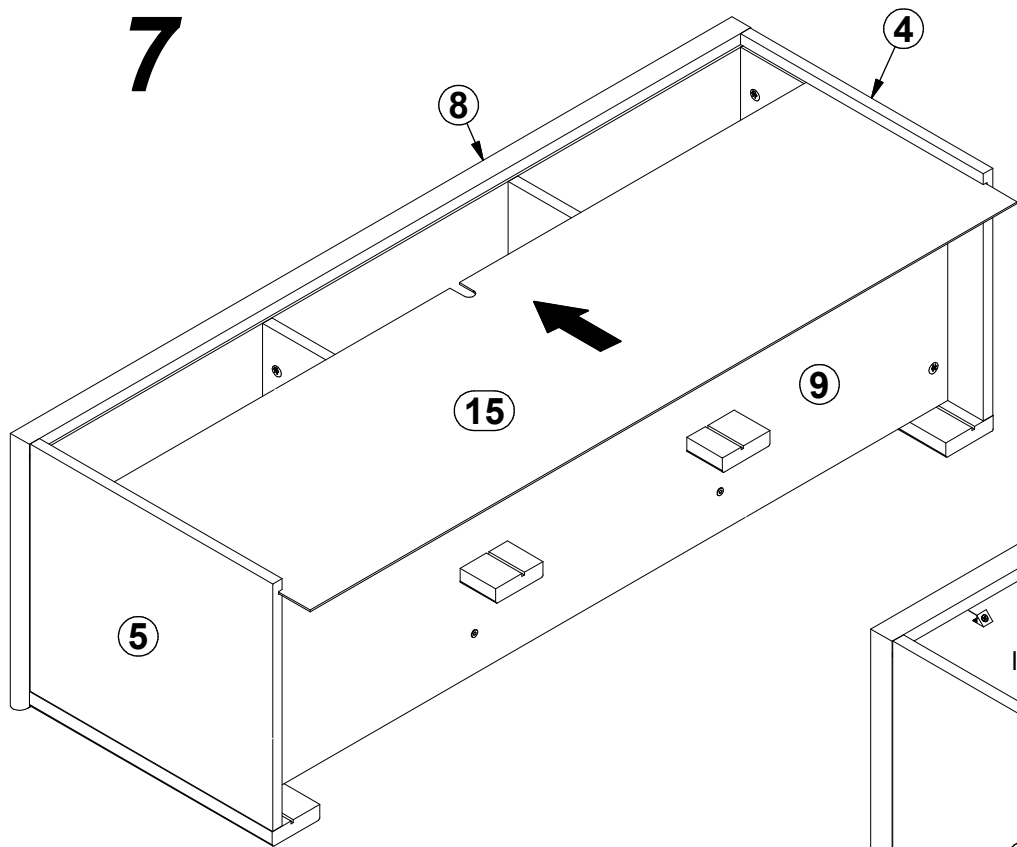
3



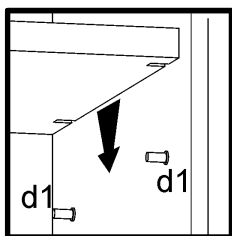
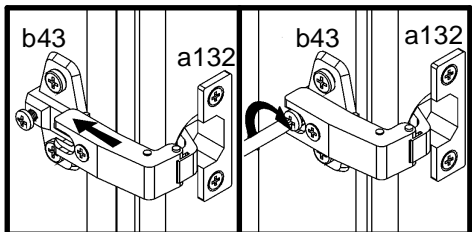


6

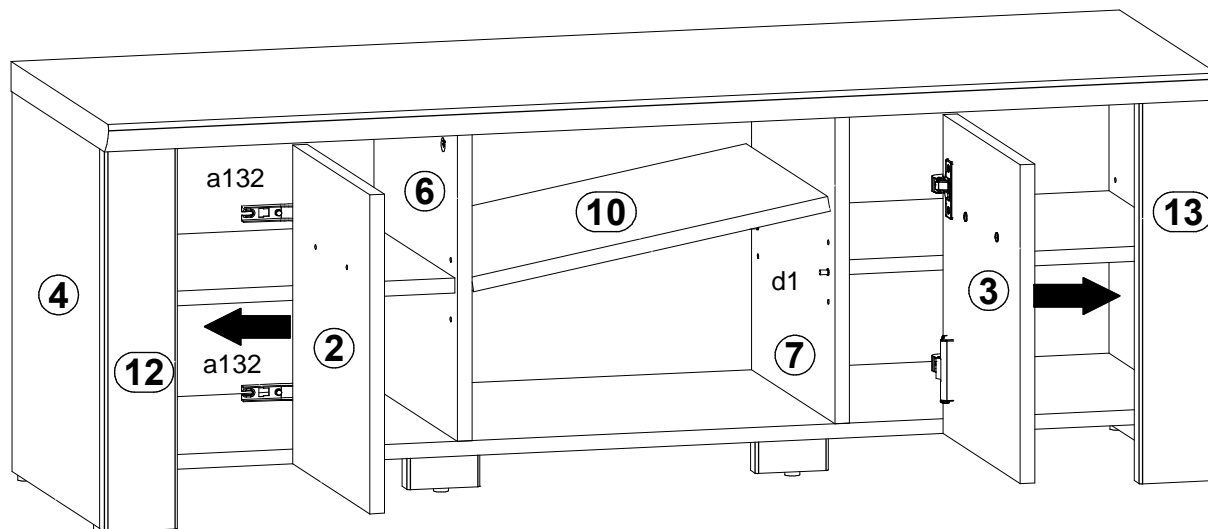




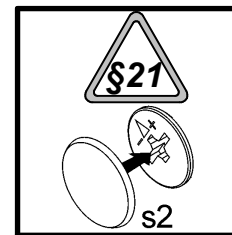
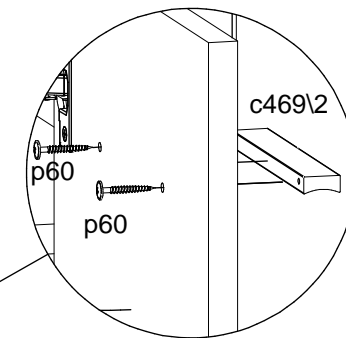
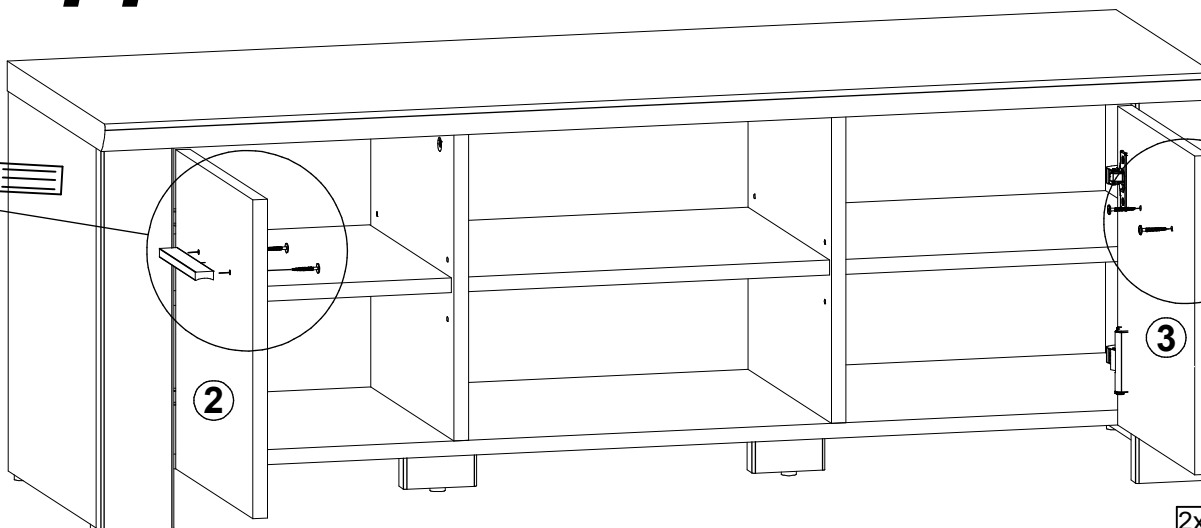
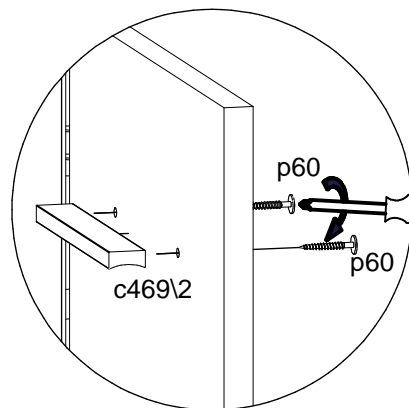







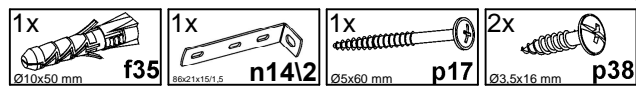
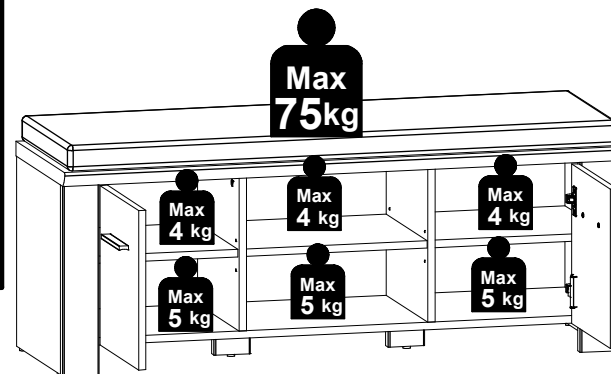
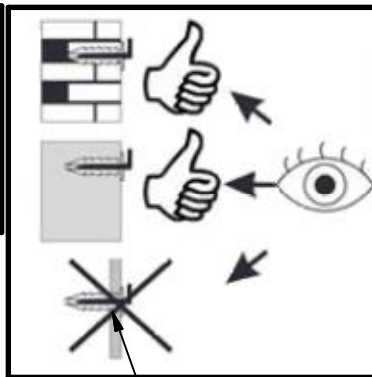
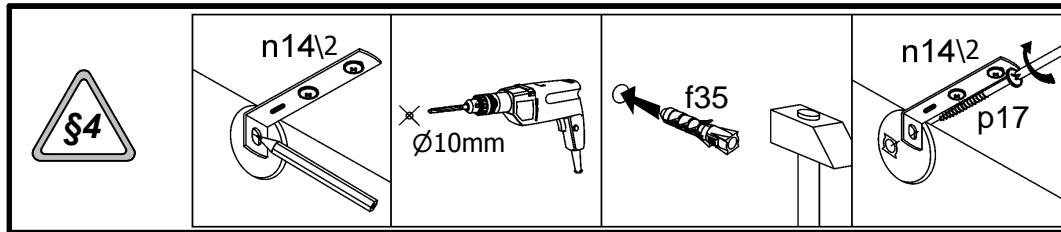
10



11



- 2x  
  
L-148mm c469/2
- 4x  
  
Ø4x22 mm p60
- 8x  
  
Ø16 s2



12

