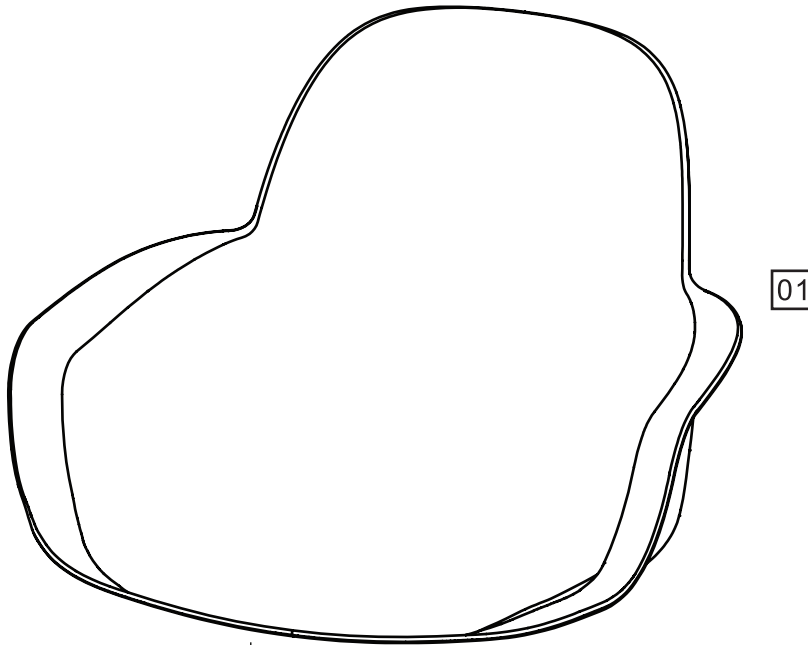


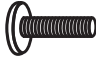
Assembly Instruction

ZUIVER^o

COMPONENT PARTS

FITTINGS

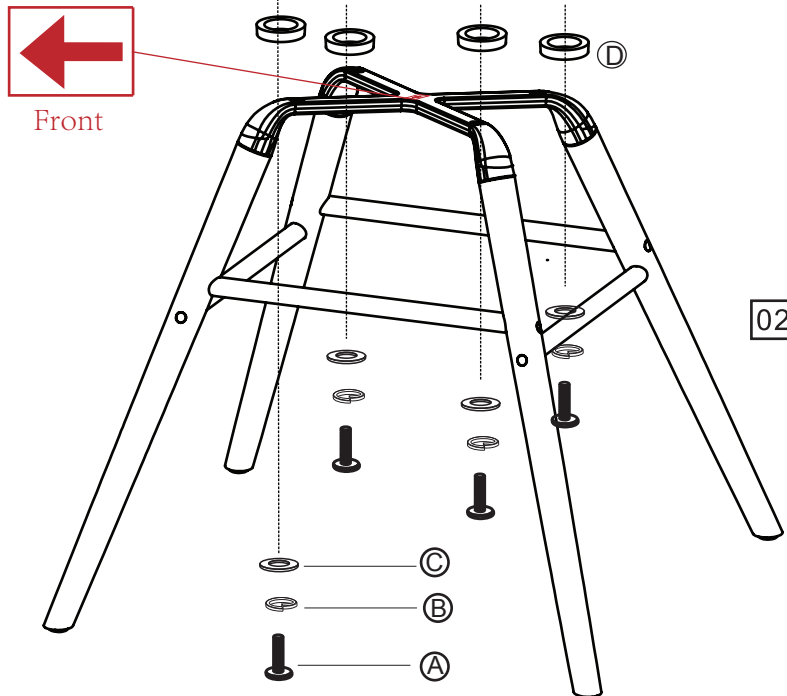


Ⓐ  *4

Ⓑ  *4

Ⓒ  *4

Ⓓ  *4



COMPONENT CHECKLIST

PART	No.	Qty.	
Seat	01	1	<input type="checkbox"/>
Leg	02	1	<input type="checkbox"/>

TOOLS REQUIRED



Allen key (supplied)

