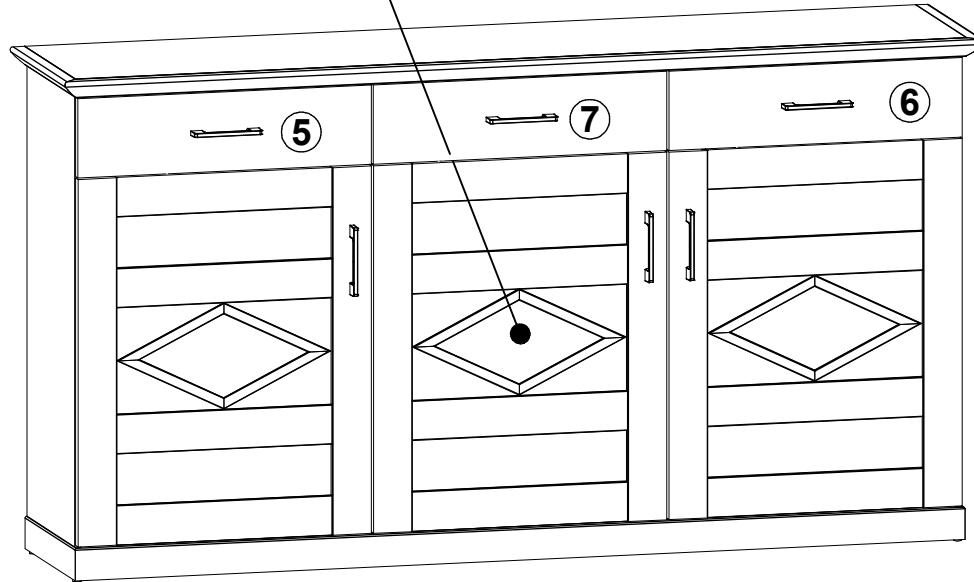
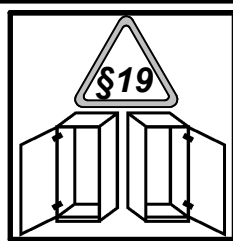
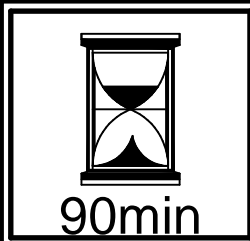
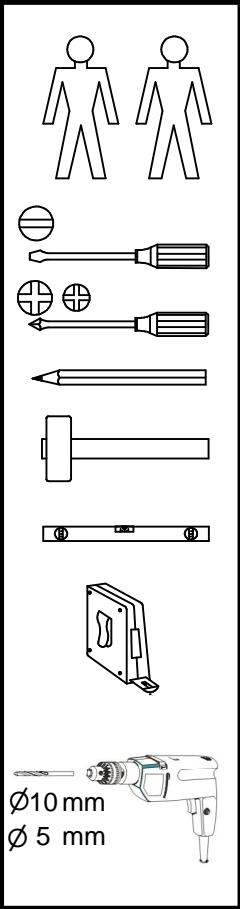


**A**

**S268-KOM3D3S/10/19**

**5006--26**

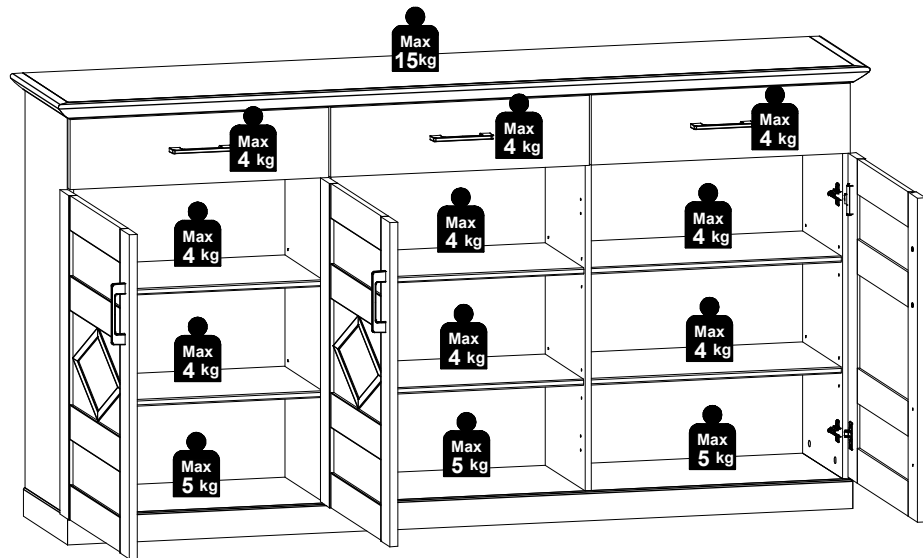
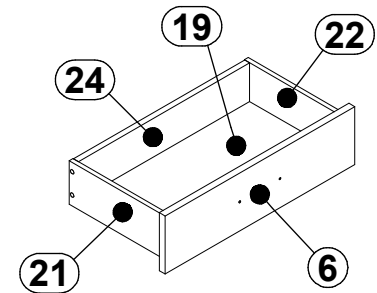
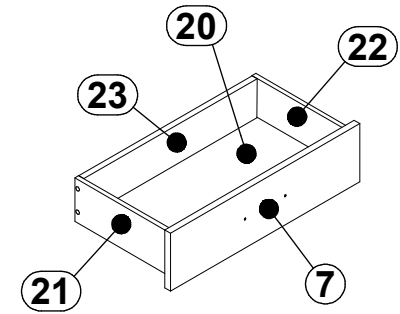
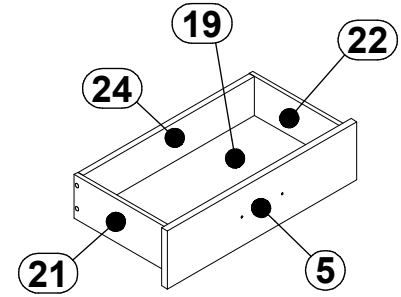
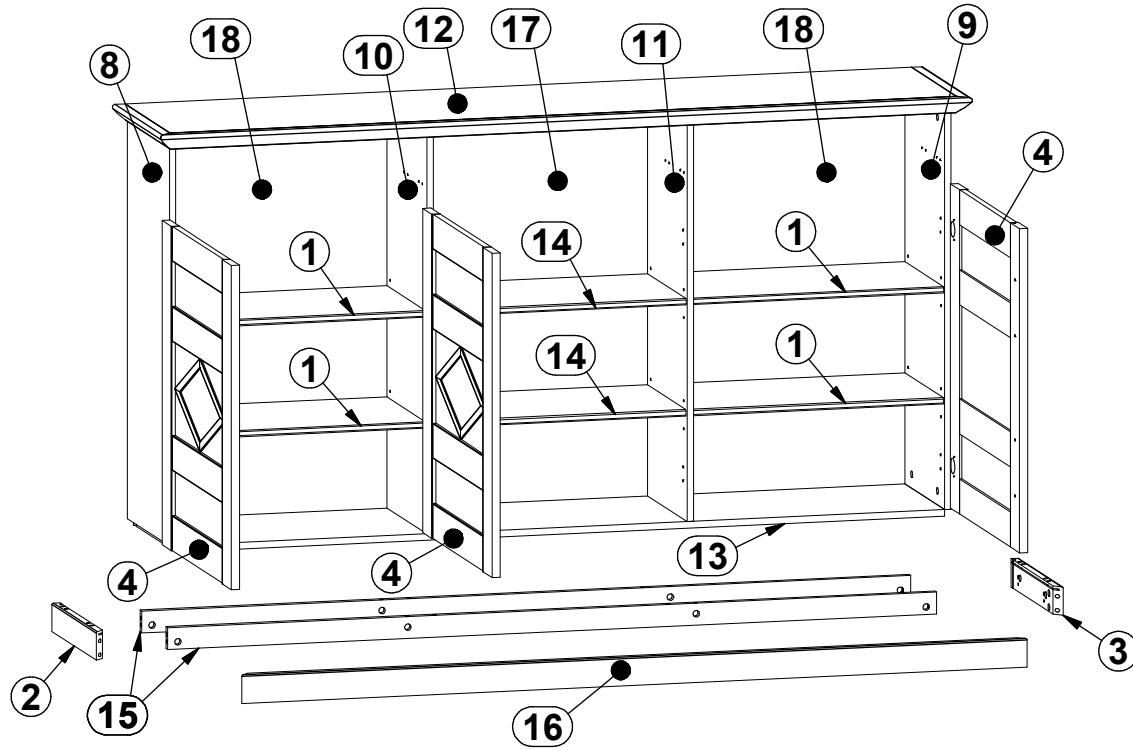
2 / 15

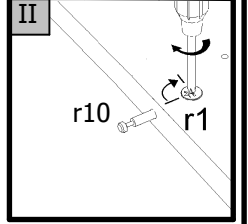
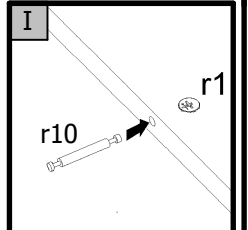
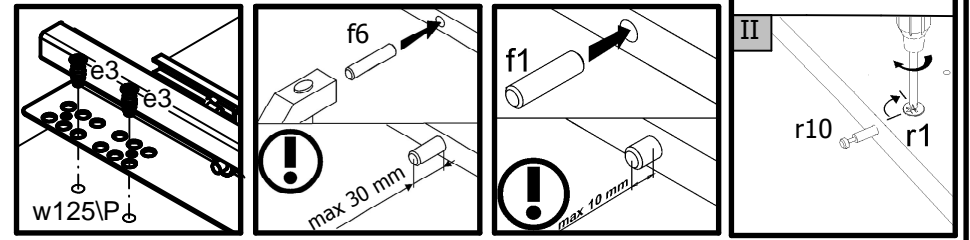
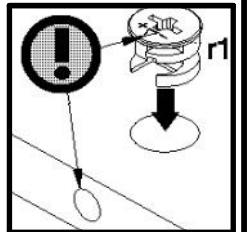
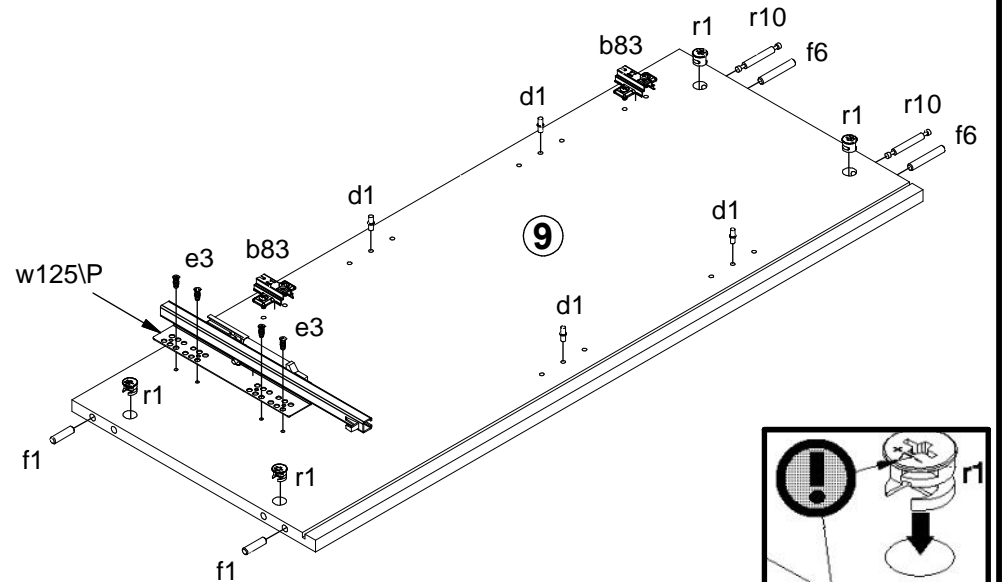
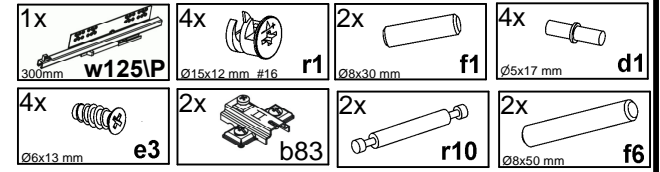
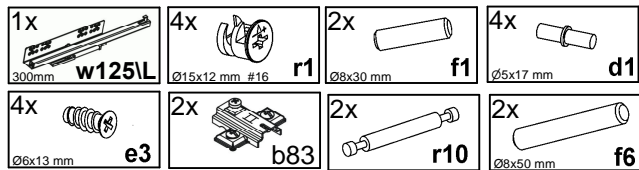
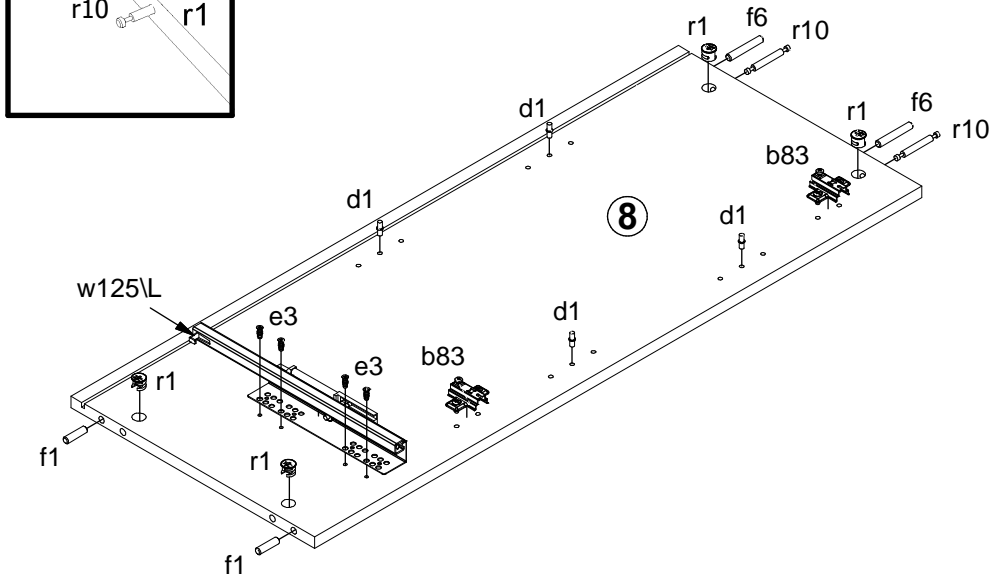
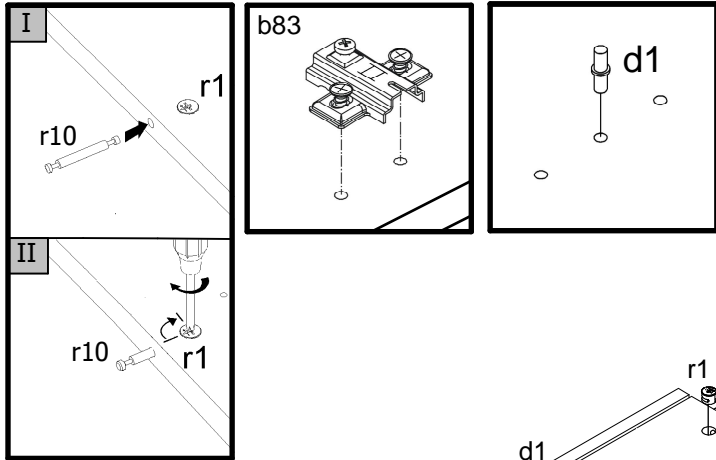
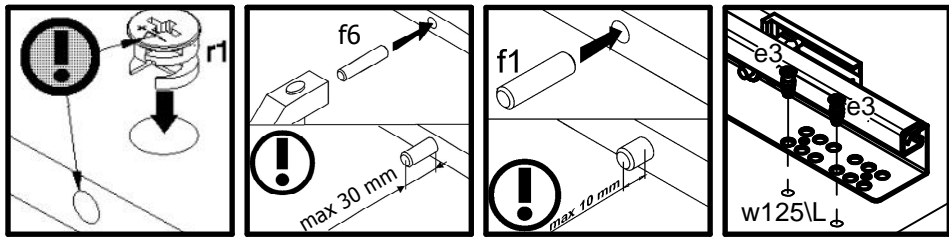


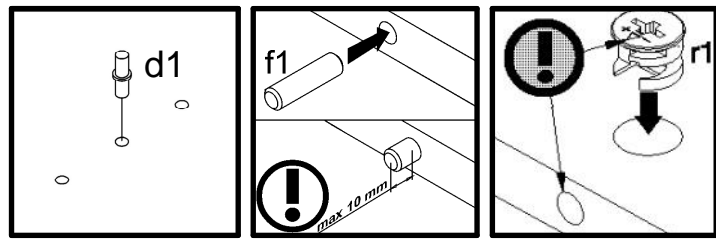
A	B	C (mm)		D
1	M211-3002	584	335	1/3
2	M211-5852	384,	65,	3/3
3	M211-5853	384,	65,	3/3
4	S268-0007	741	603	3/3
5	S268-0008	160	603	3/3
6	S268-0009	160	603	3/3
7	S268-0010	160	603	3/3
8	S268-1010	910	365	1/3
9	S268-1011	910	365	1/3
10	S268-1019	933,	345	2/3
11	S268-1020	933,	345	2/3
12	S268-2005	1892	420	2/3
13	S268-3013	1792	345	2/3
14	S268-3014	591	335	3/3
15	S268-4004	1792	50	2/3
16	S268-5858	1830	65,	2/3
17	S268-9009	951	607	3/3
18	S268-9010	951	598	3/3
19	WSP-9080	554	308	1/3
20	WSP-9135	562	308	1/3
21	WSQ3-503	300	120	1/3
22	WSQ3-504	300	120	1/3
23	WTQ-5120	551	107	1/3
24	WTQ-5208	545	107	1/3



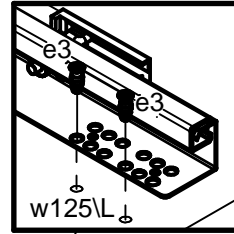
3x a133	4x a158	2x a159	6x b83	6x c406 128 mm	24x d1 $\varnothing 5 \times 17\text{ mm}$	1x d35/1	4x e1 $\varnothing 7 \times 50\text{ mm}$	24x e3 $\varnothing 6 \times 13\text{ mm}$	20x f1 $\varnothing 8 \times 30\text{ mm}$	4x f6 $\varnothing 8 \times 50\text{ mm}$	12x f25 $\varnothing 6,5 \times 40\text{ mm}$	12x j8 M4x25 mm
8x k1	13x l2	12x n108 20x13x3,5V	7x p25 $\varnothing 3,5 \times 16\text{ mm}$	3x p35 $\varnothing 3,5 \times 10\text{ mm}$	34x p38 $\varnothing 3,5 \times 16\text{ mm}$	12x p51 $\varnothing 3,5 \times 15\text{ mm}$	18x p55 $\varnothing 2,9 \times 16\text{ mm}$	32x r1 $\varnothing 15 \times 12\text{ mm} \#16$	4x r10	12x r15 $\varnothing 12 \times 10,5\text{ mm} \#12$	4x r38 39/39	28x r42 20/11
4x s2 $\varnothing 16$	1x s73	3x t25 300 mm	3x w125/L 300mm	3x w125/P 300mm	1x z1	2x f35 $\varnothing 10 \times 50\text{ mm}$	2x n14/2 36x21x15/1,5	2x p17 $\varnothing 5 \times 60\text{ mm}$	4x p38 $\varnothing 3,5 \times 16\text{ mm}$			



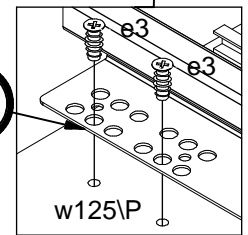
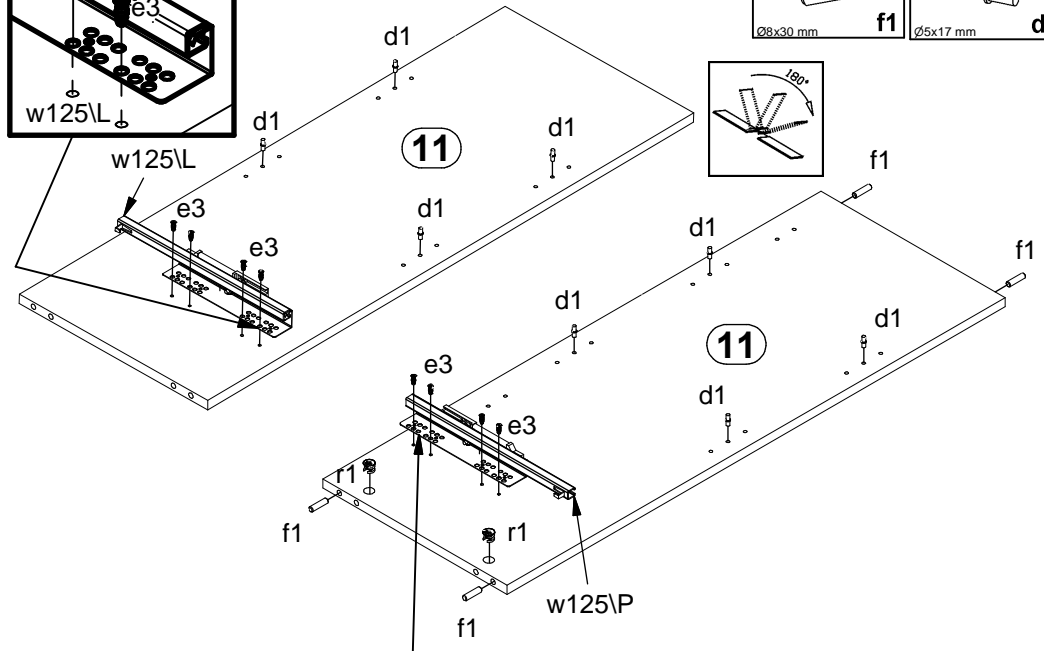
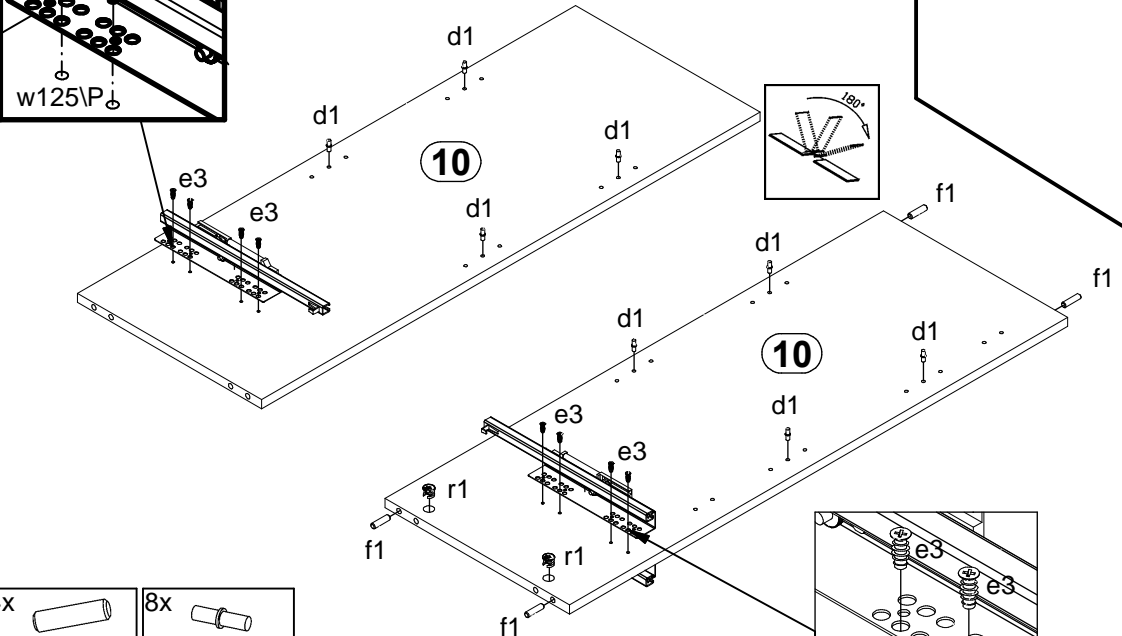
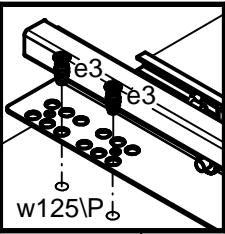




1

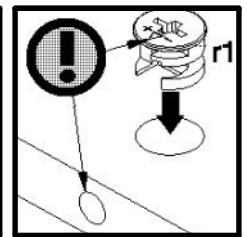
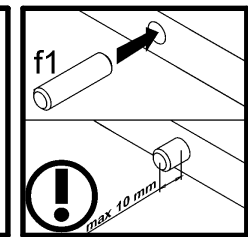
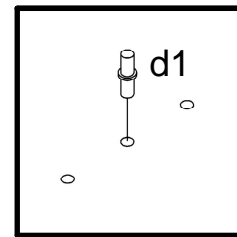
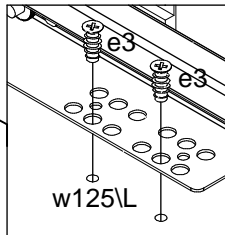


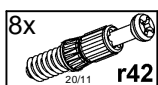
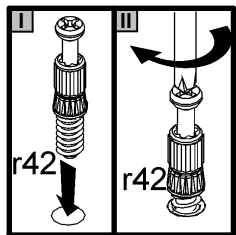
1x 300mm w125\L	1x 300mm w125\P	8x Ø6x13 mm e3	2x Ø15x12 mm #16 r1
4x Ø8x30 mm f1	8x Ø5x17 mm d1		



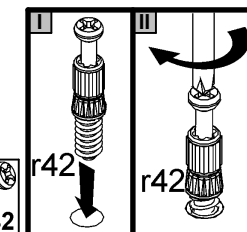
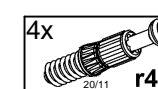
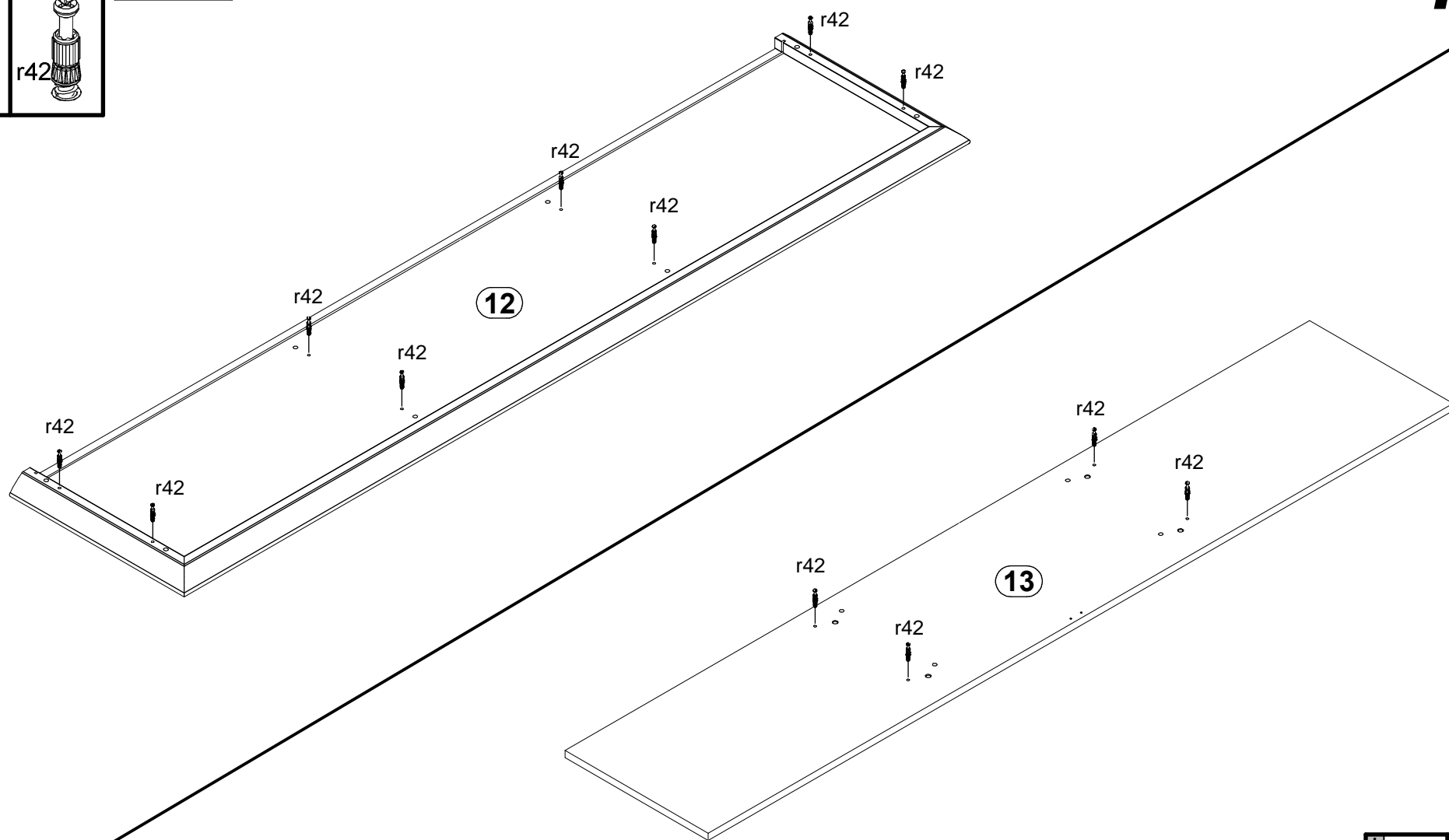
4x Ø8x30 mm f1	8x Ø5x17 mm d1
----------------------	----------------------

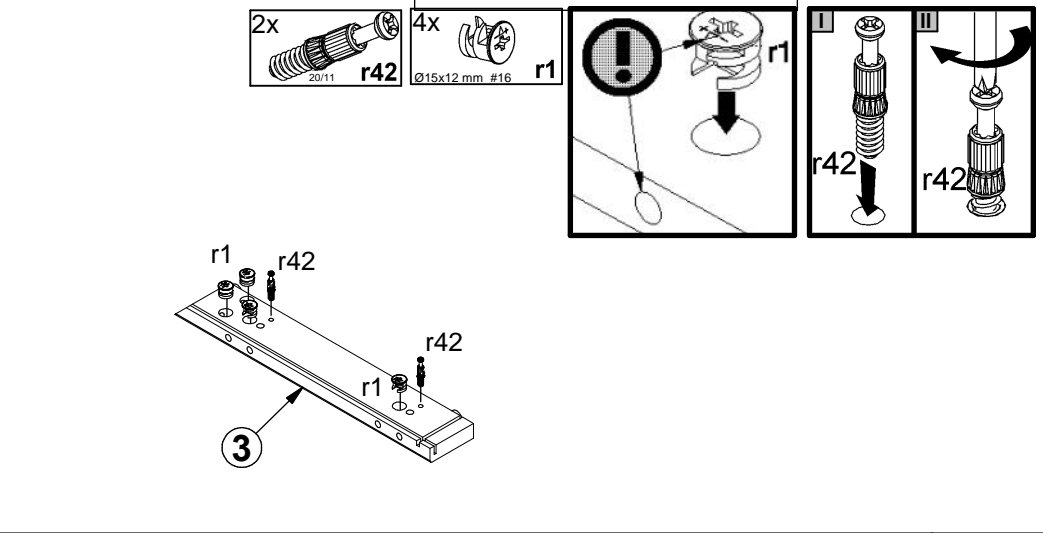
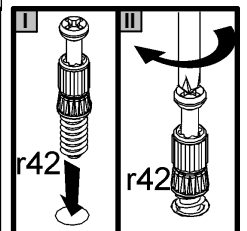
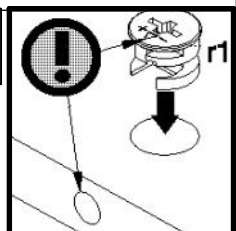
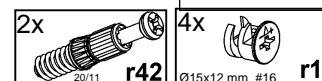
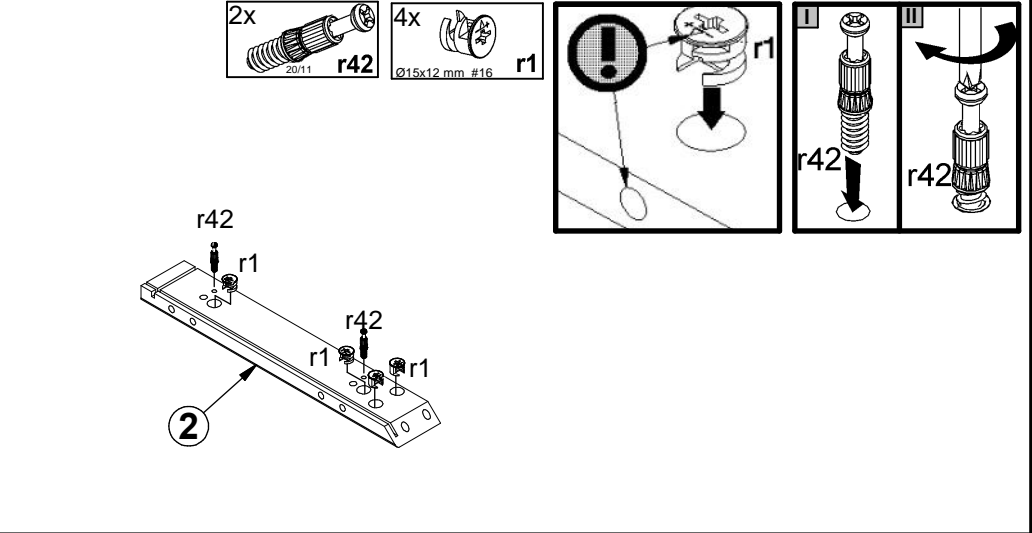
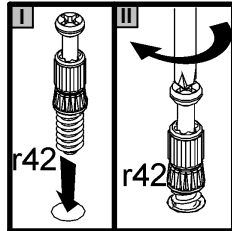
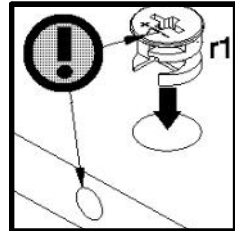
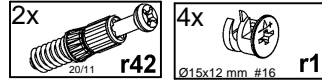
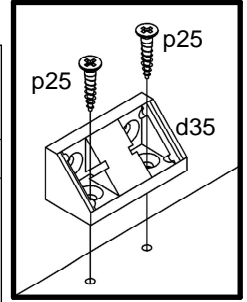
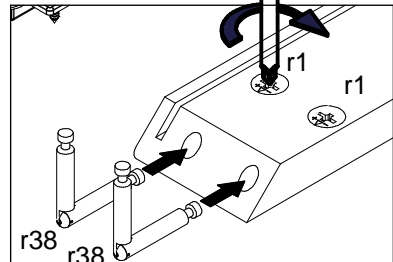
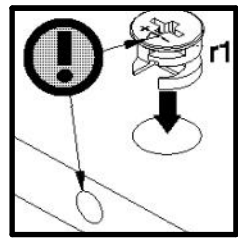
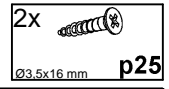
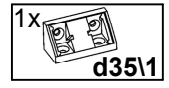
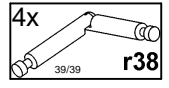
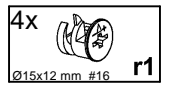
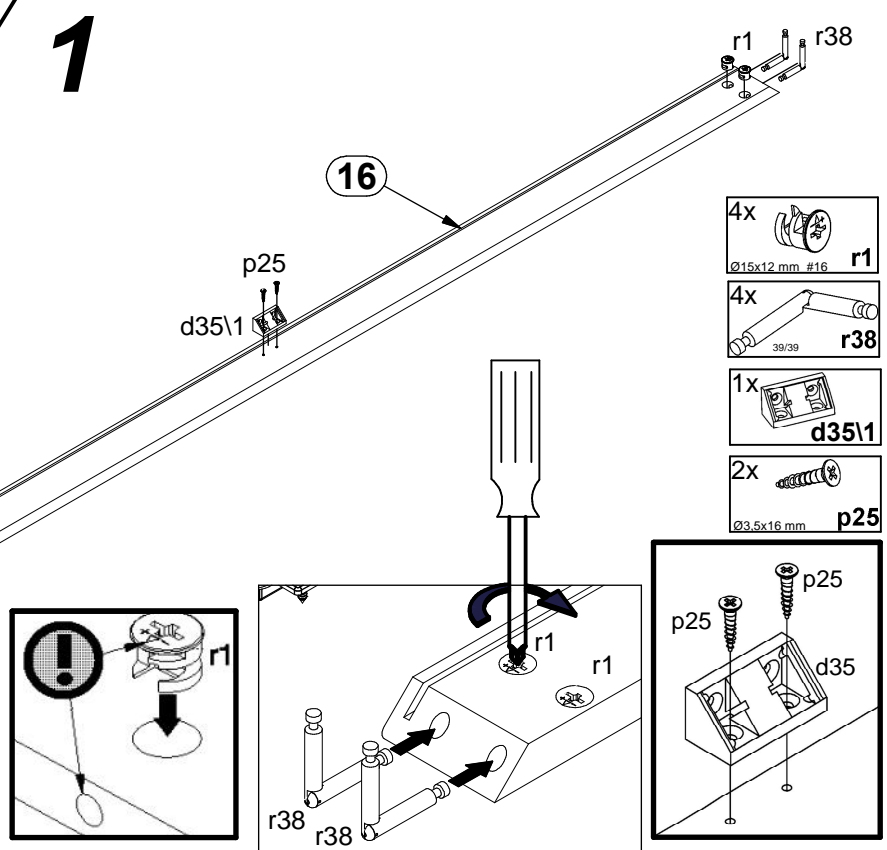
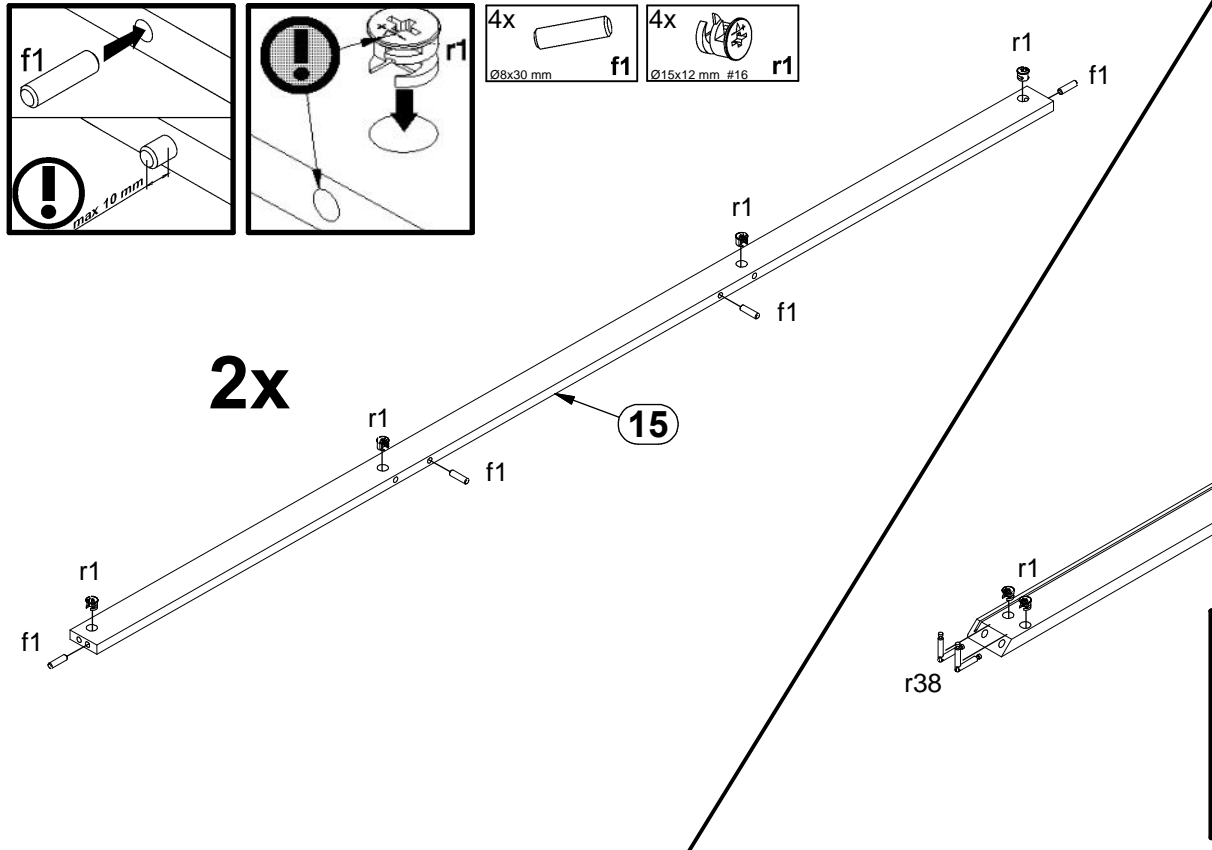
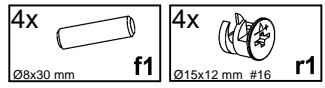
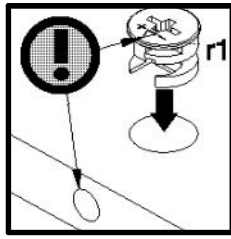
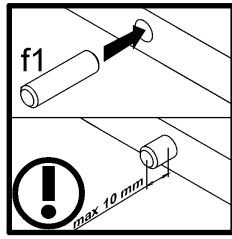
1x 300mm w125\L	1x 300mm w125\P	8x Ø6x13 mm e3	2x Ø15x12 mm #16 r1
-----------------------	-----------------------	----------------------	---------------------------

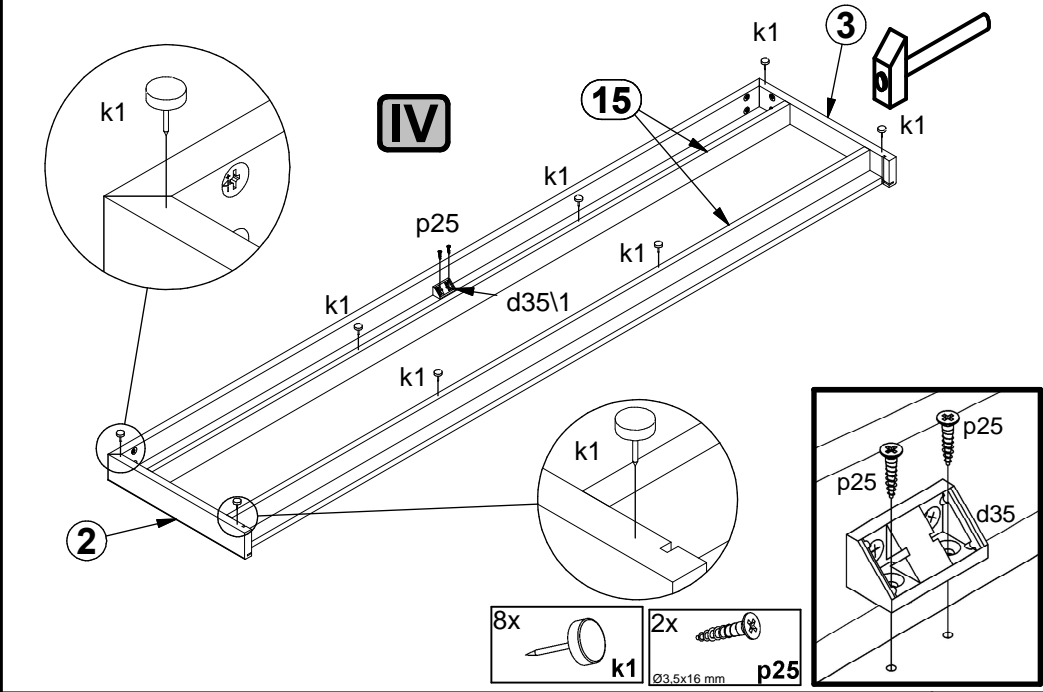
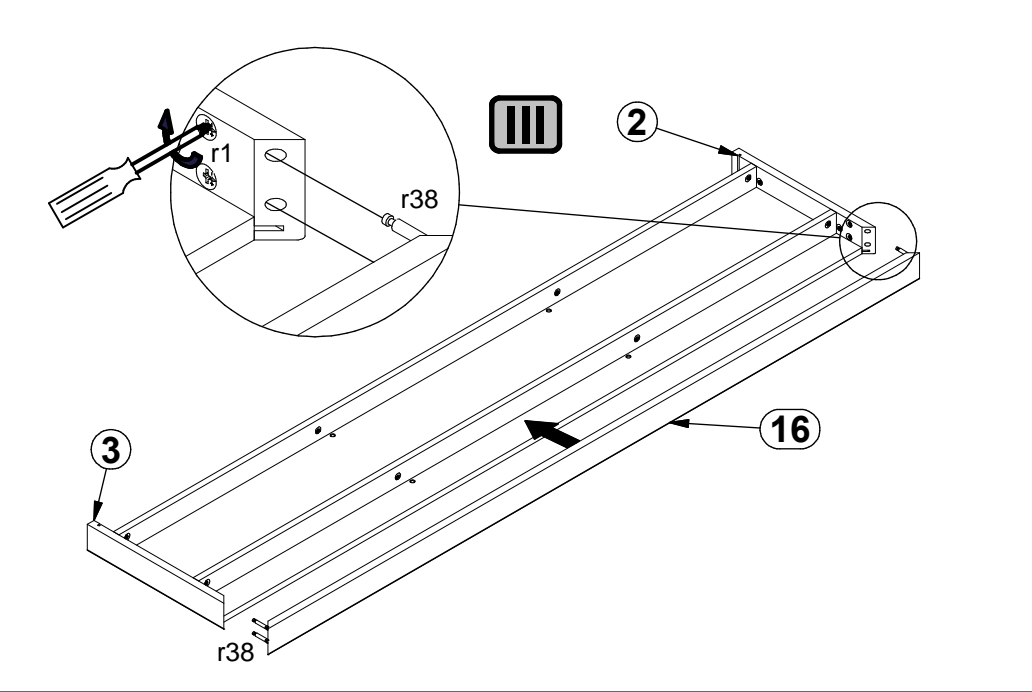
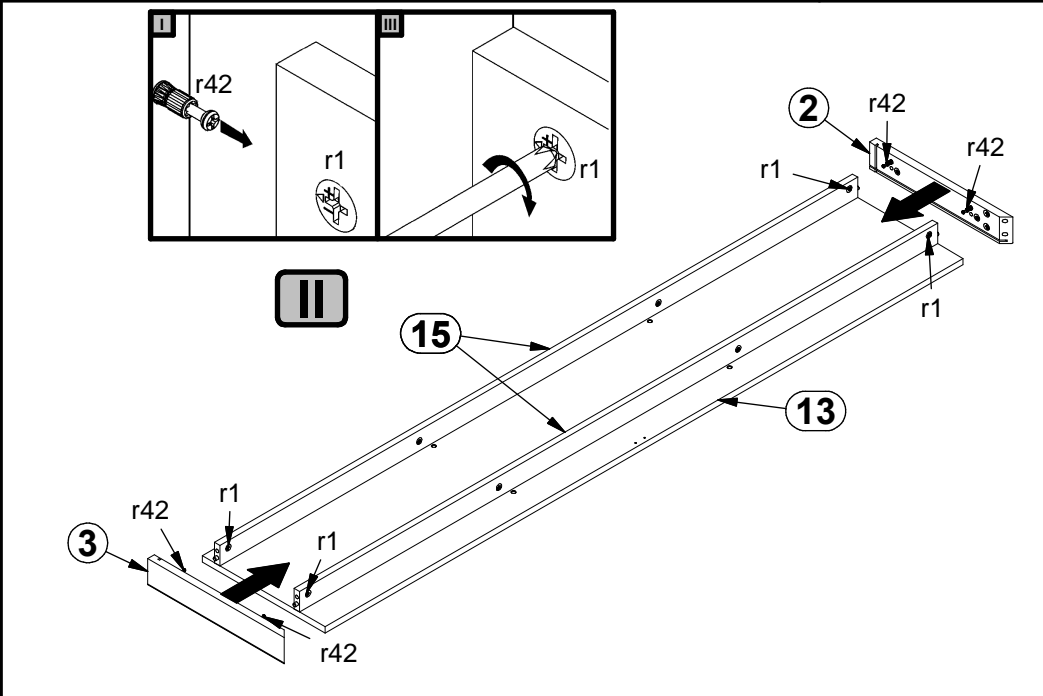
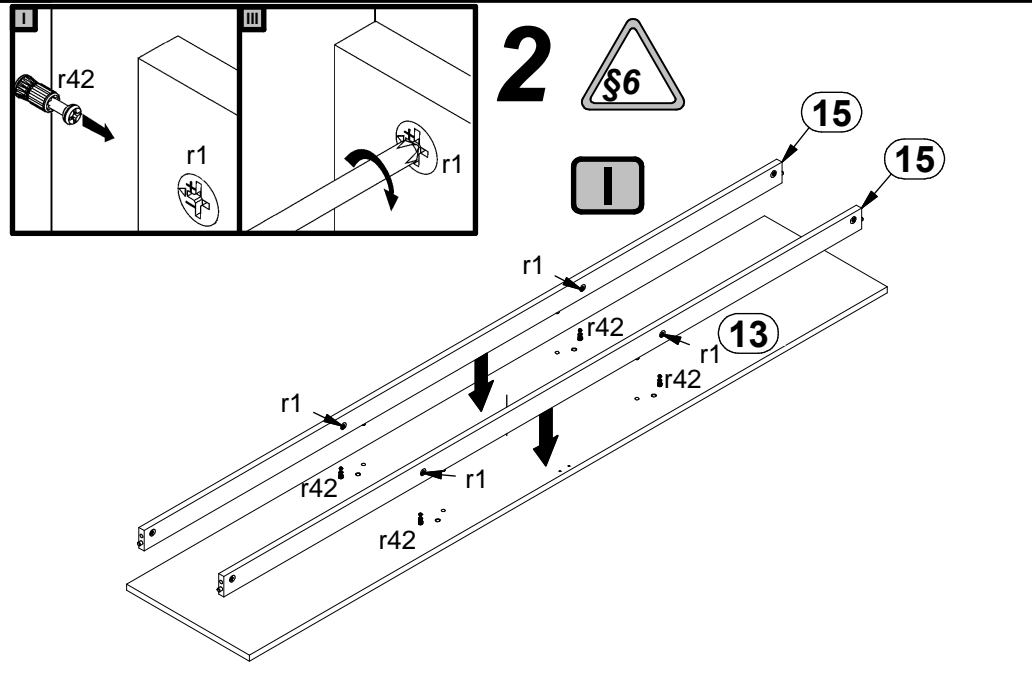




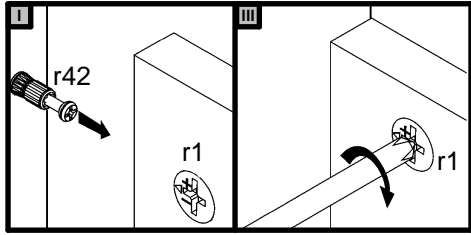
1



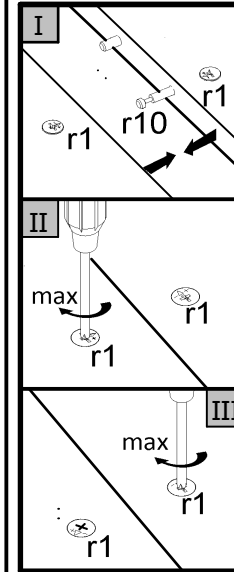
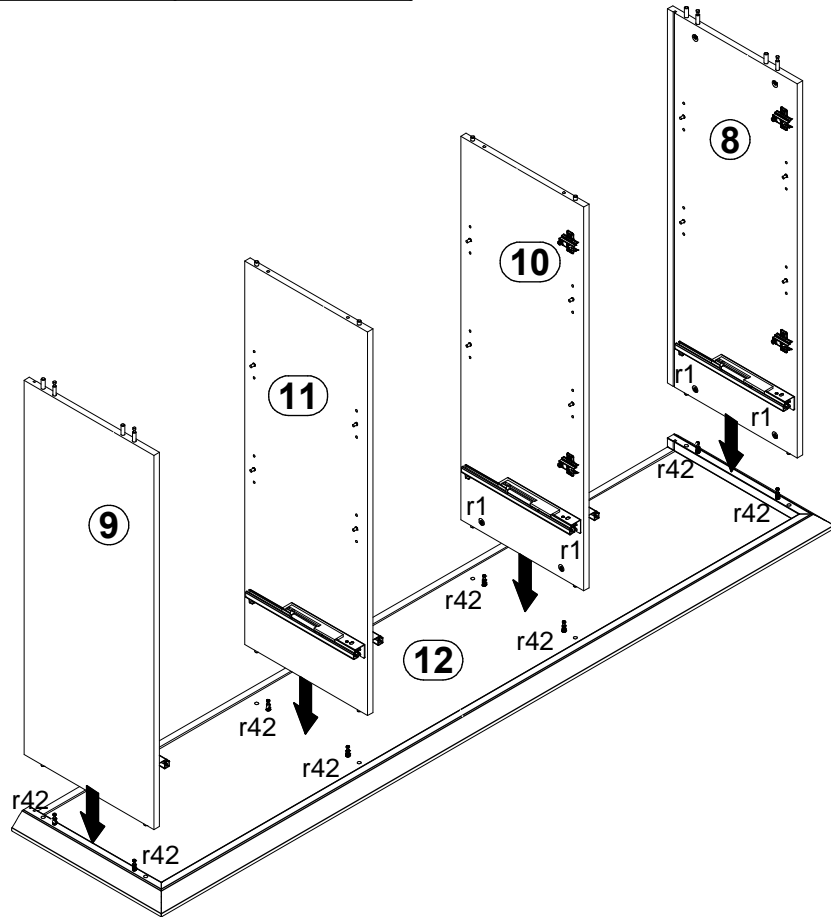




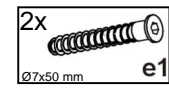
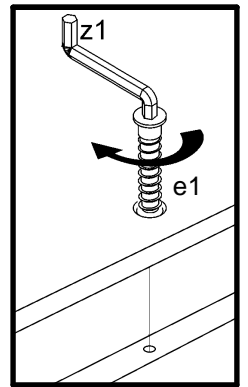
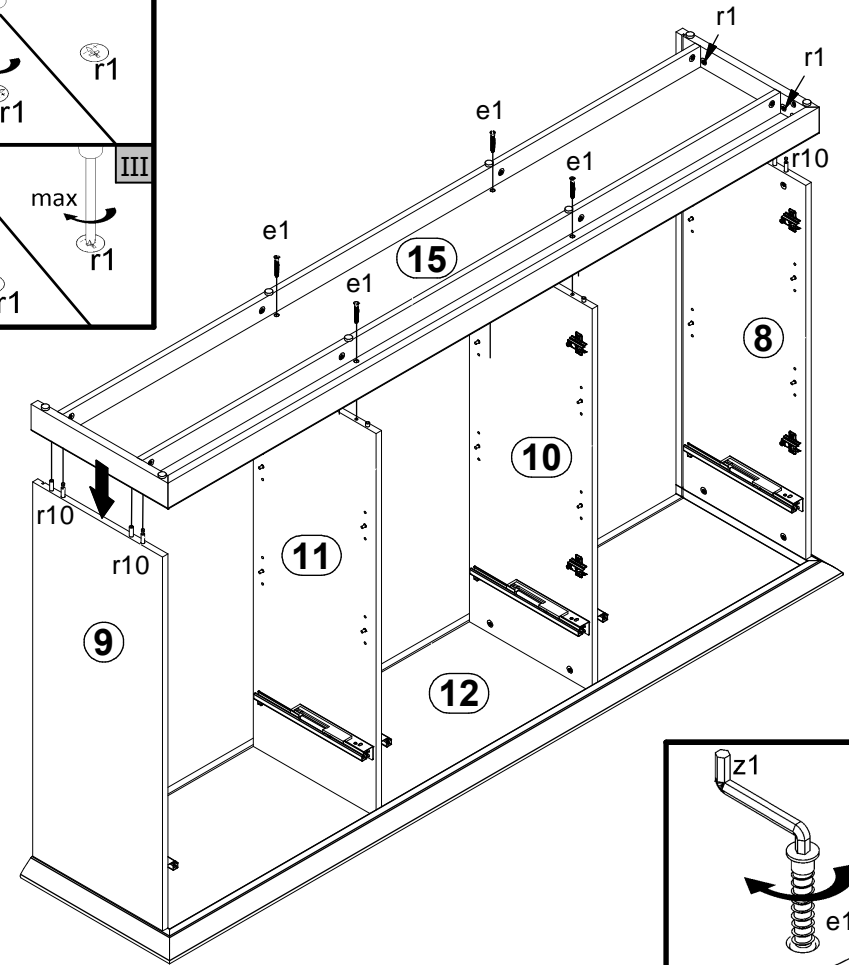




3



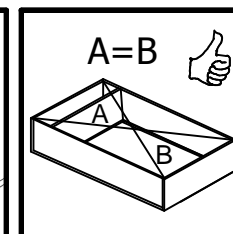
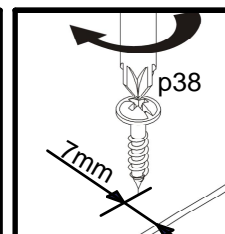
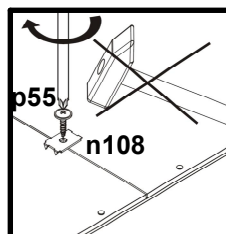
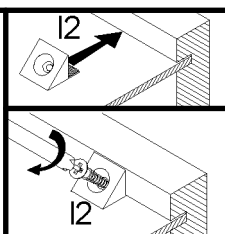
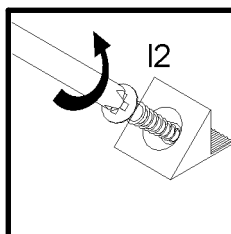
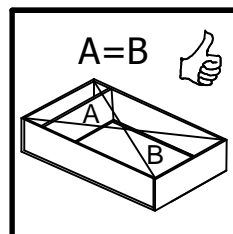
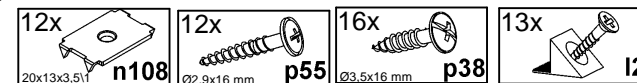
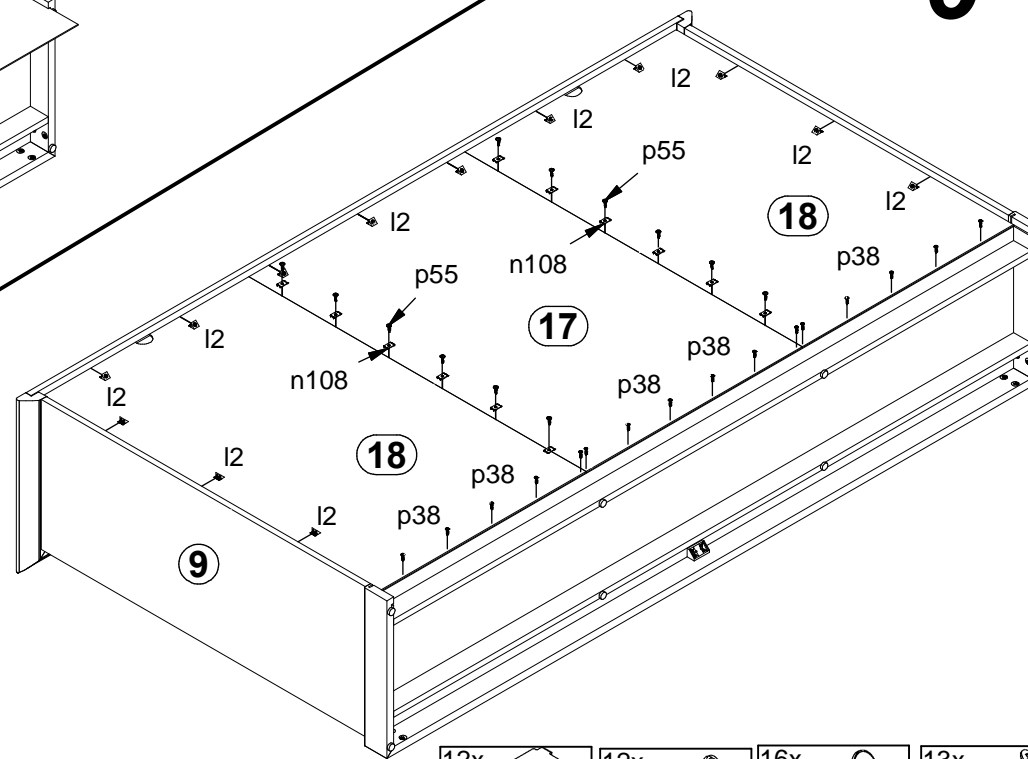
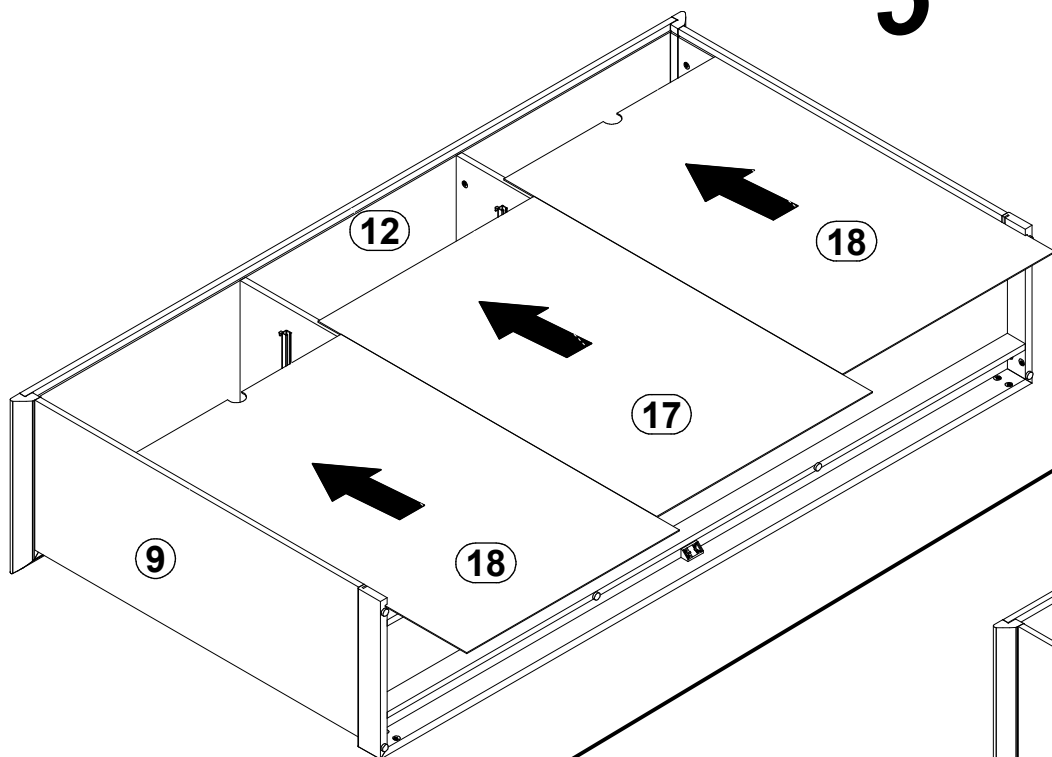
4

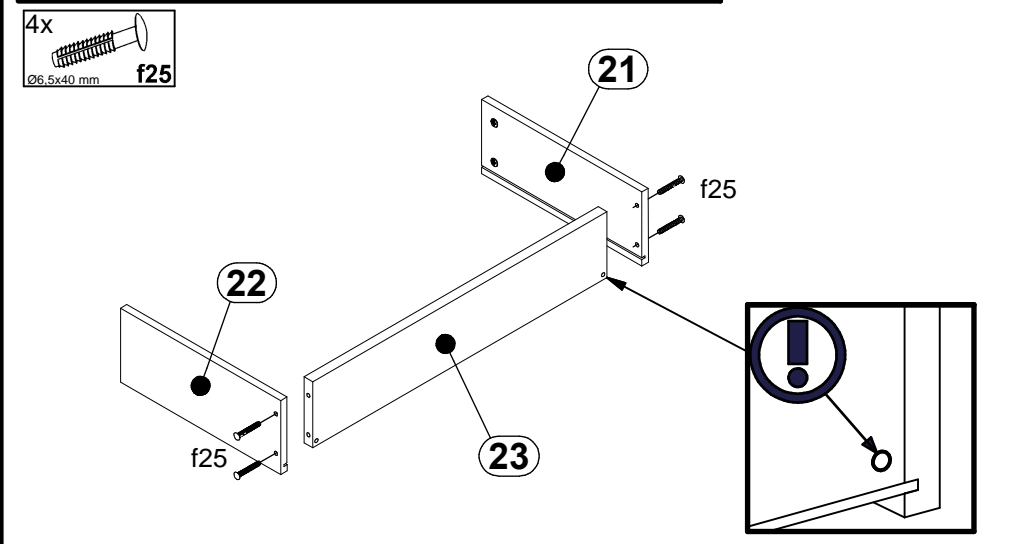
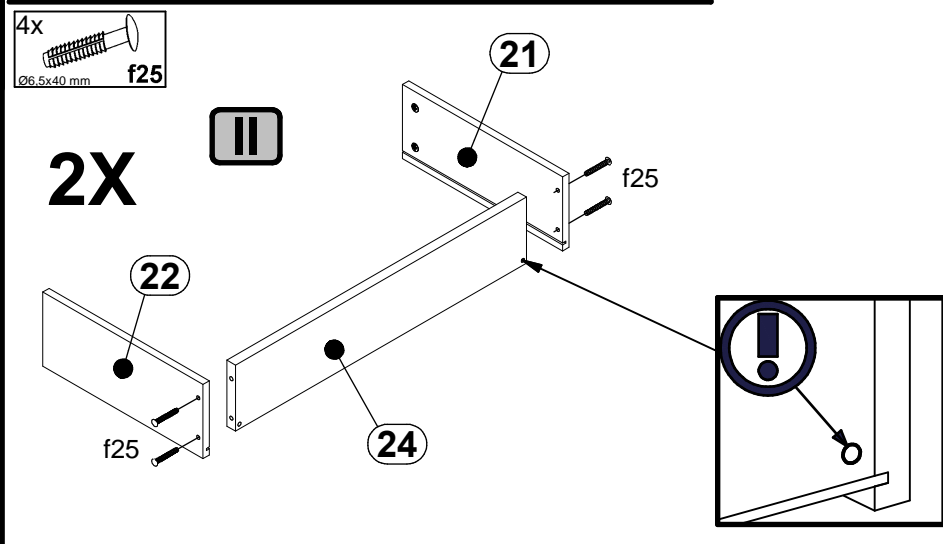
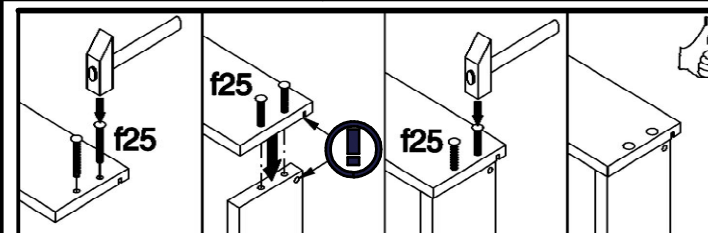
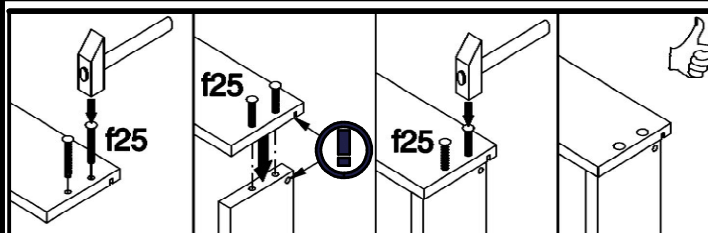
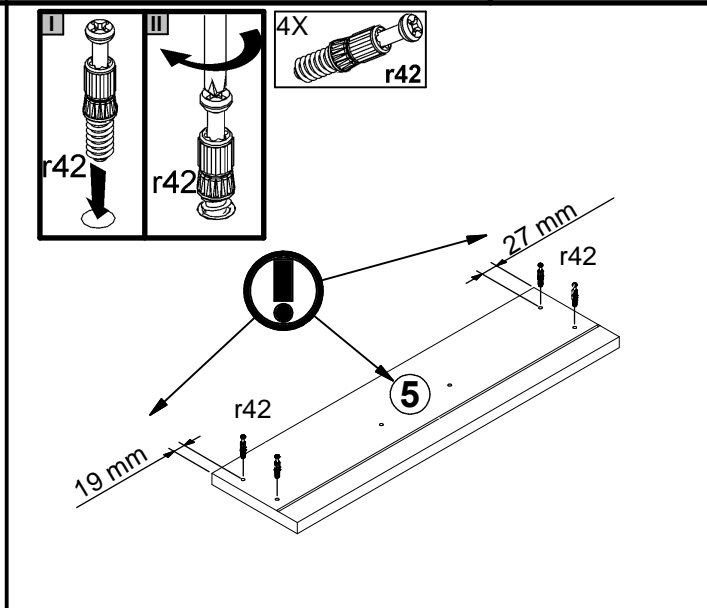
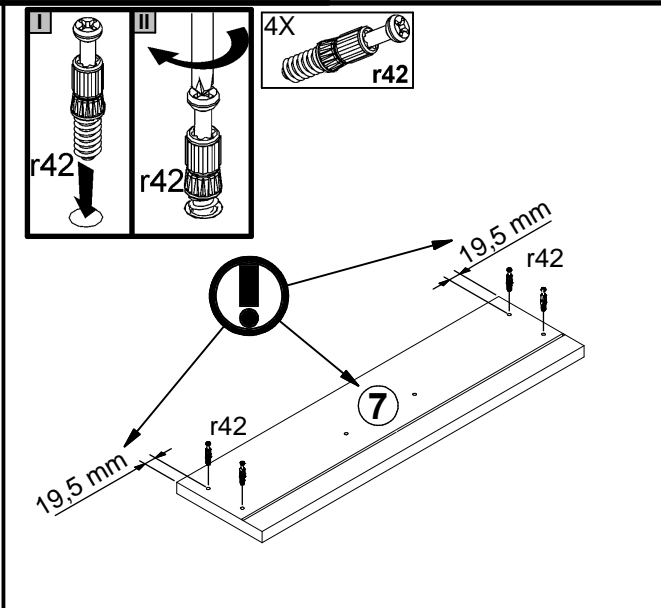
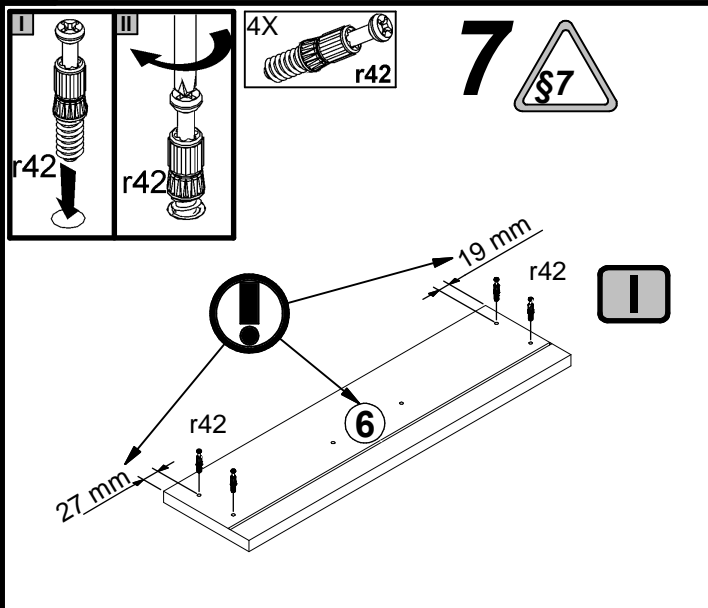


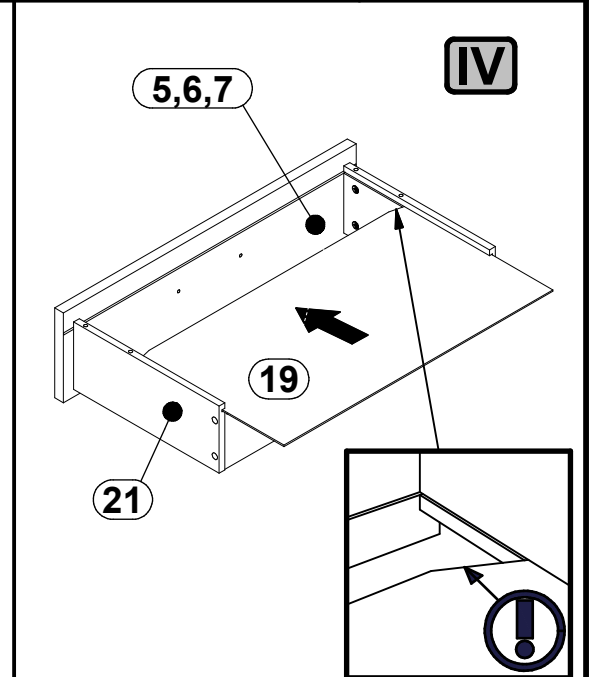
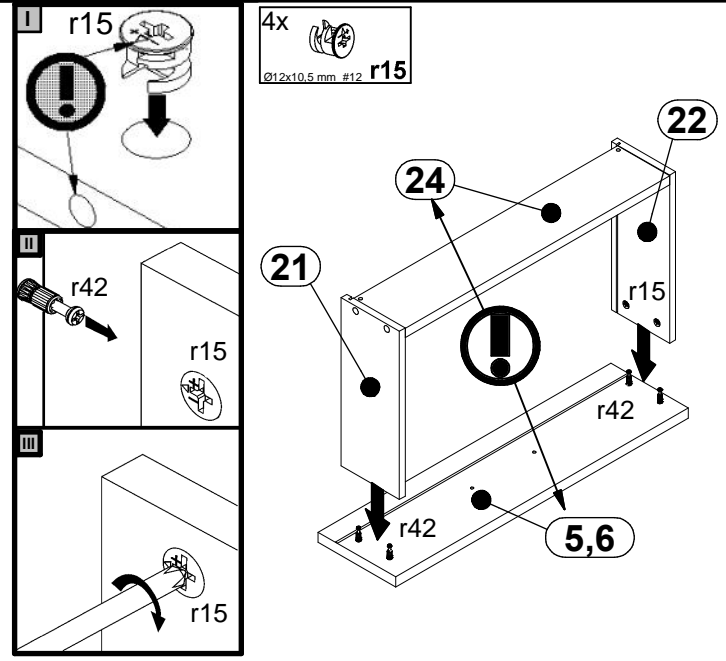
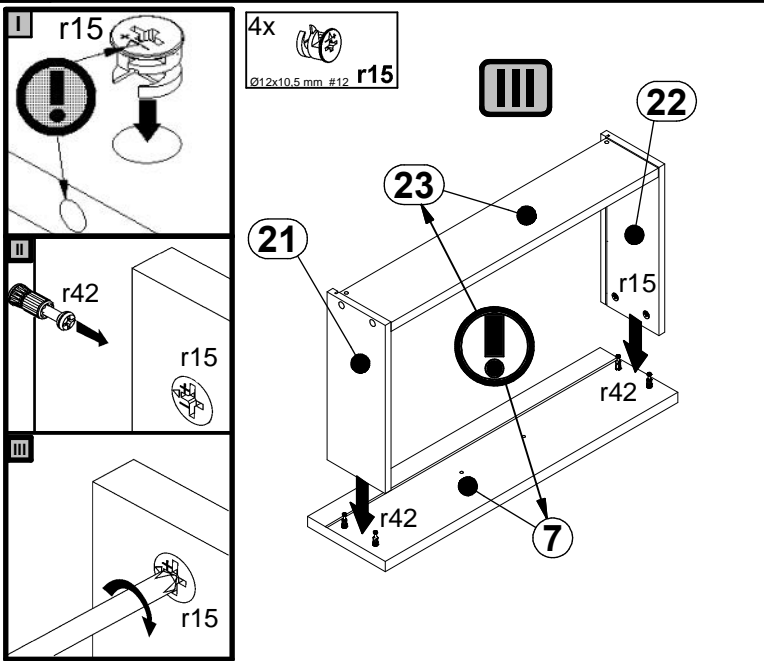
2x  
Ø7x50 mm  
e1

5

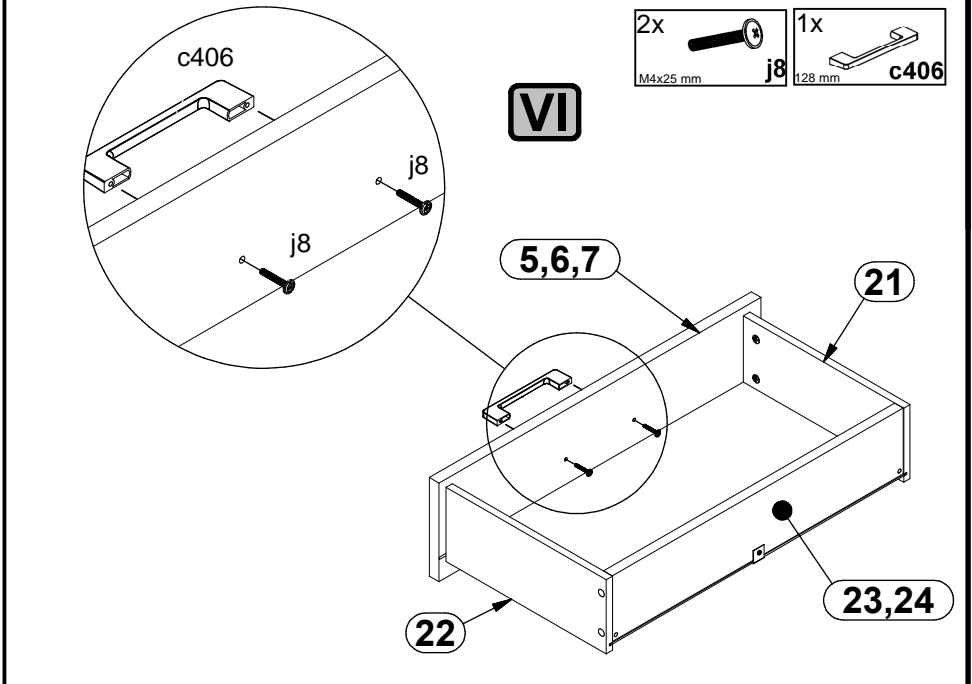
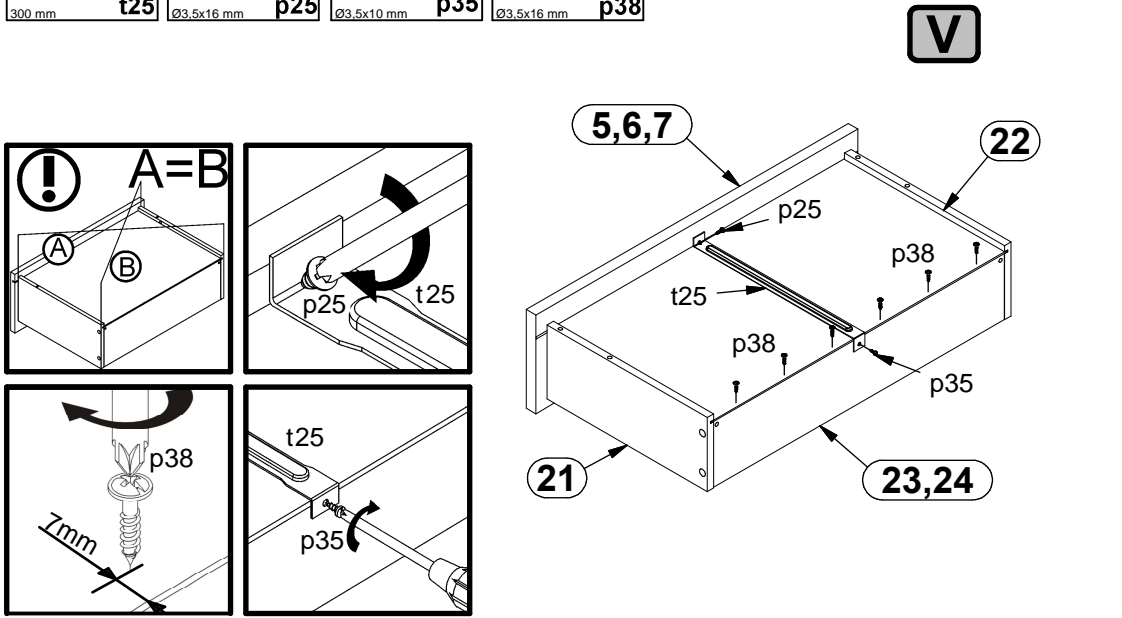
6

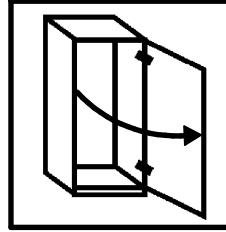
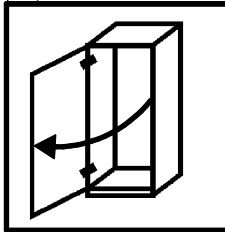
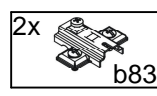
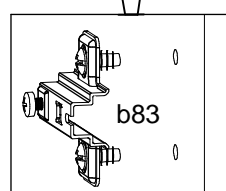
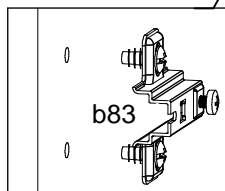
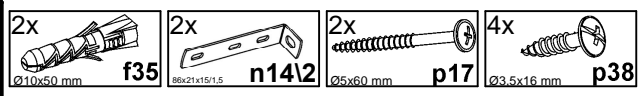
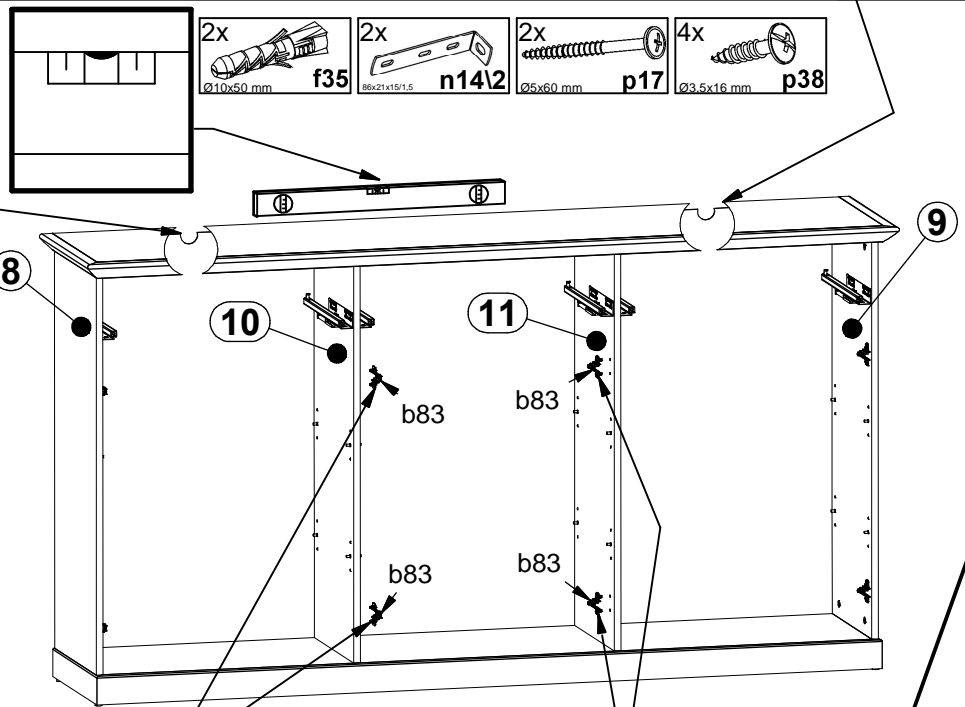
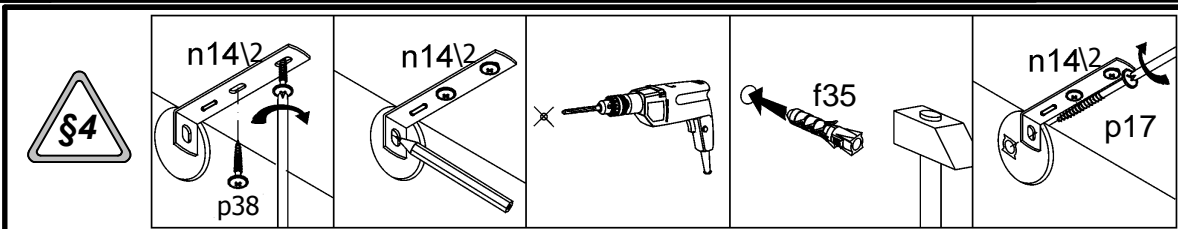






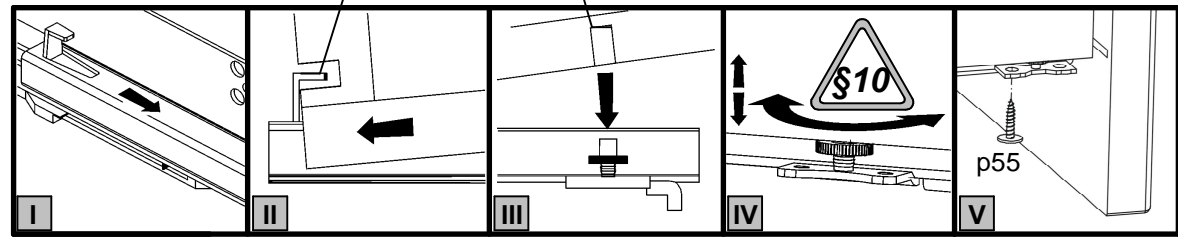
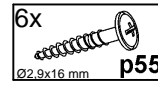
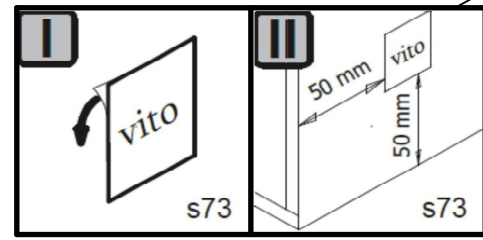
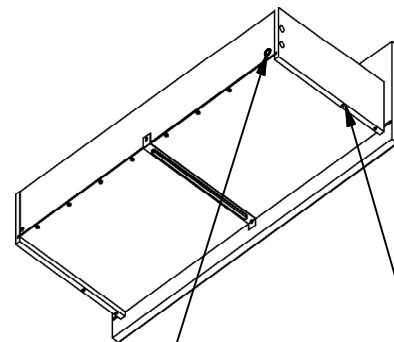
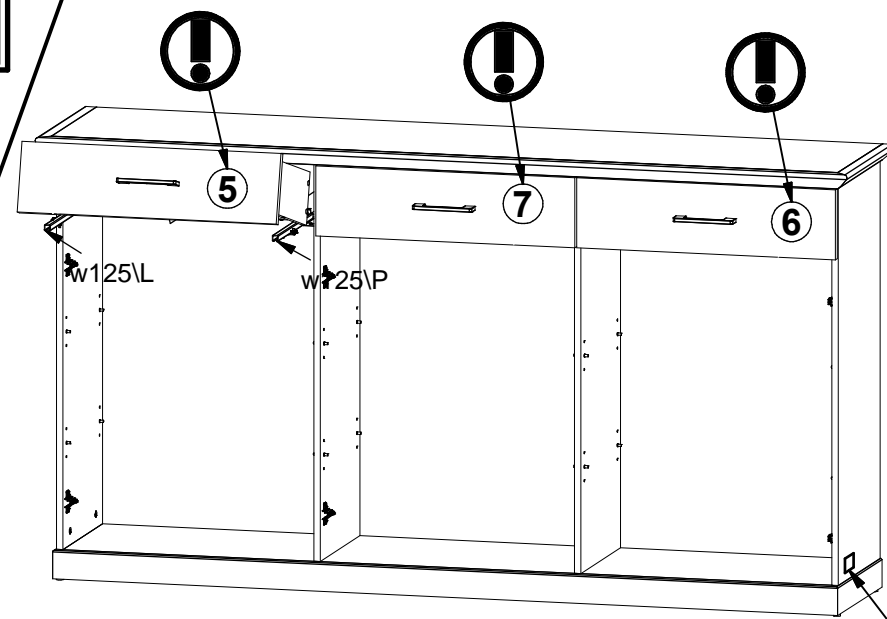
- 1x 300 mm t25
- 1x Ø3.5x16 mm p25
- 1x Ø3.5x10 mm p35
- 6x Ø3.5x16 mm p38

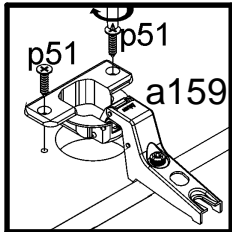




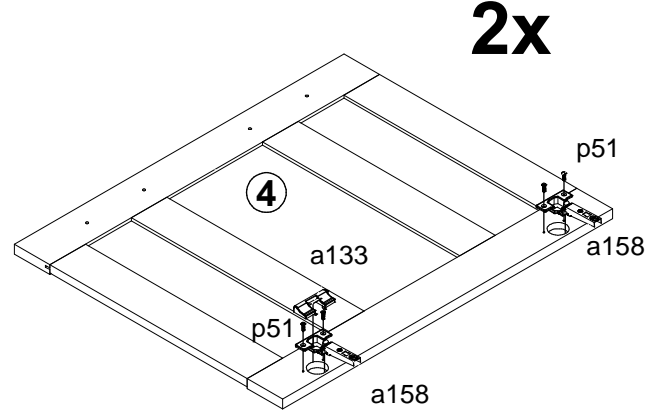
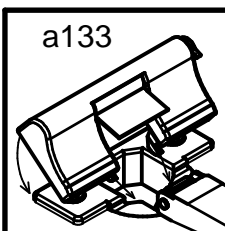
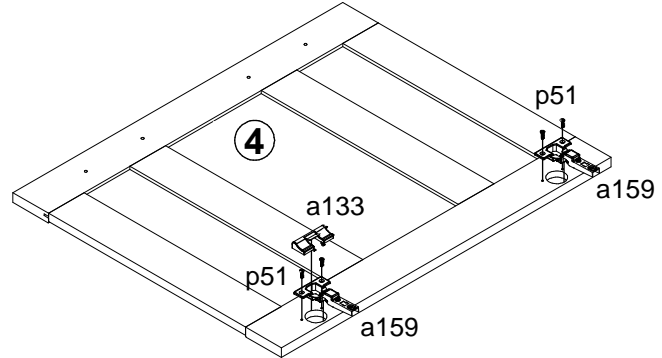
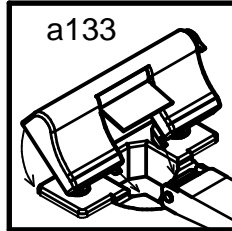
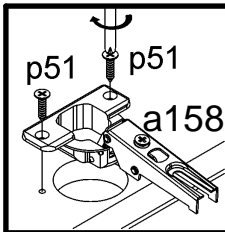
8

9

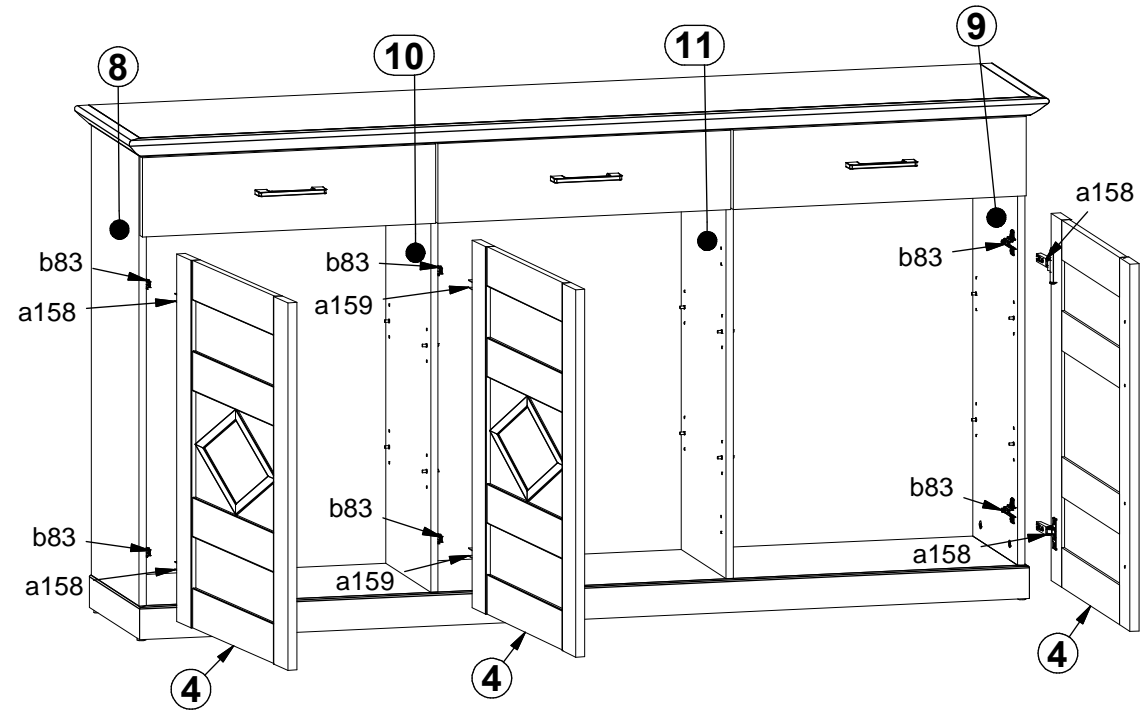
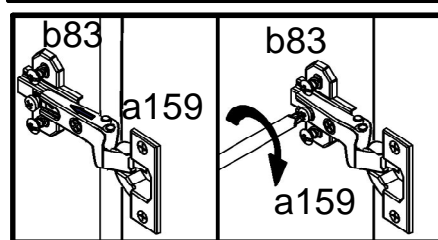
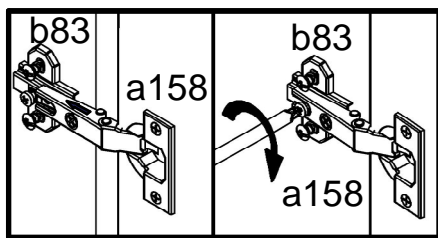


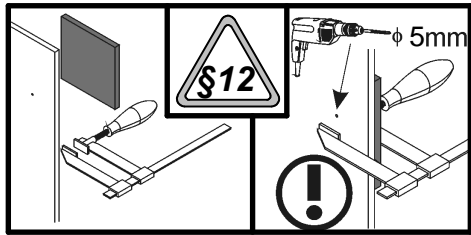


10

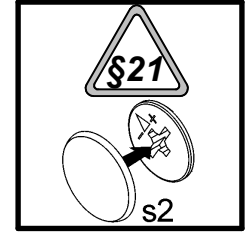
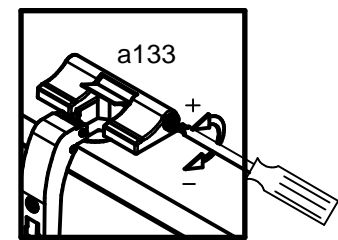
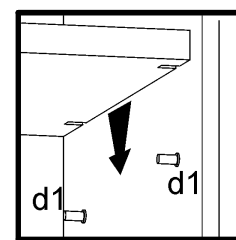
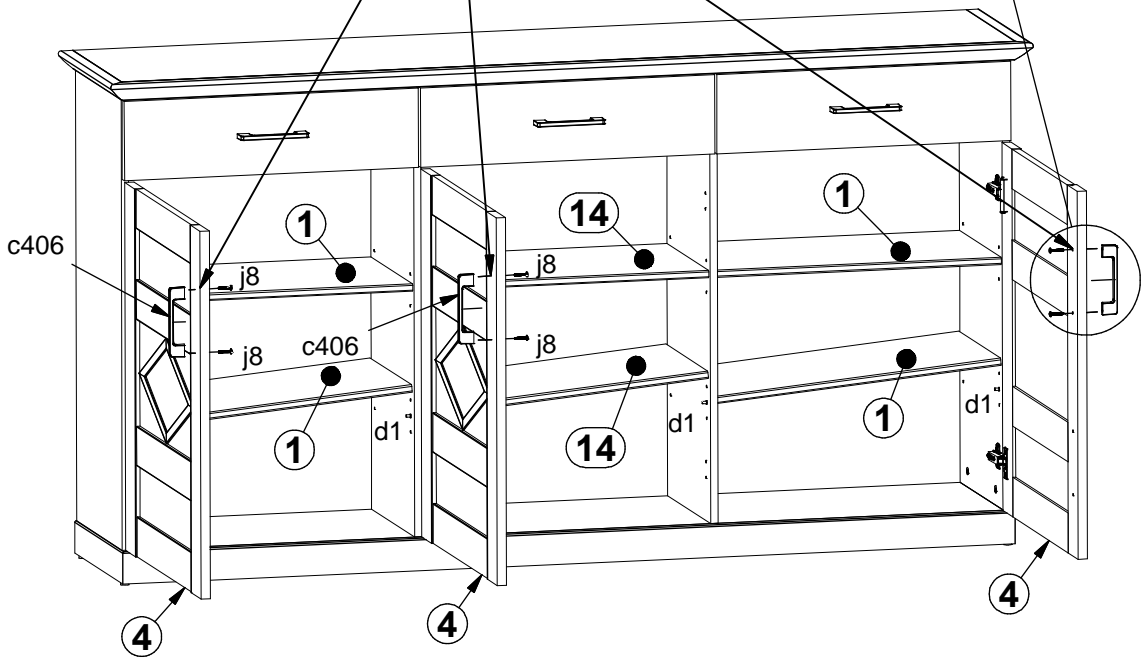
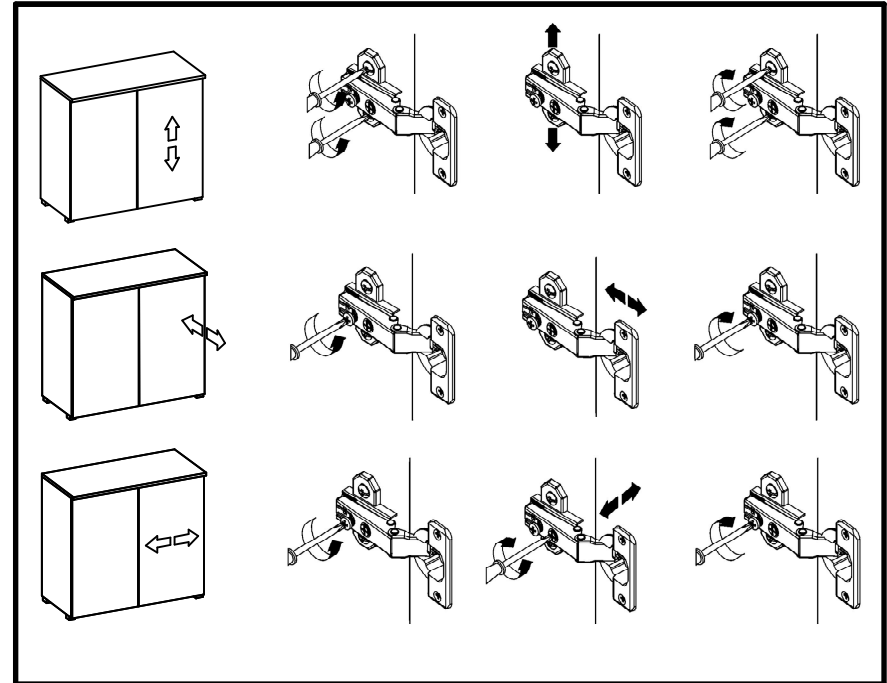
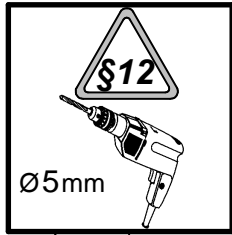
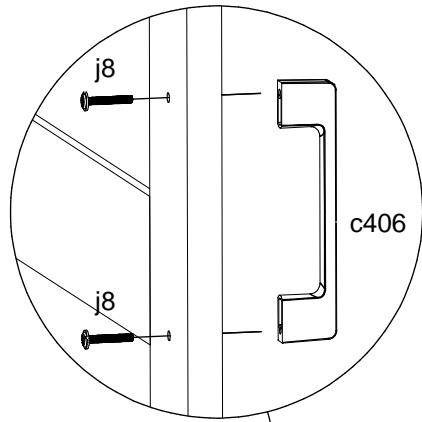


11





12



- 6x M4x25 mm j8
- 3x 128 mm c406
- 4x Ø16 s2

