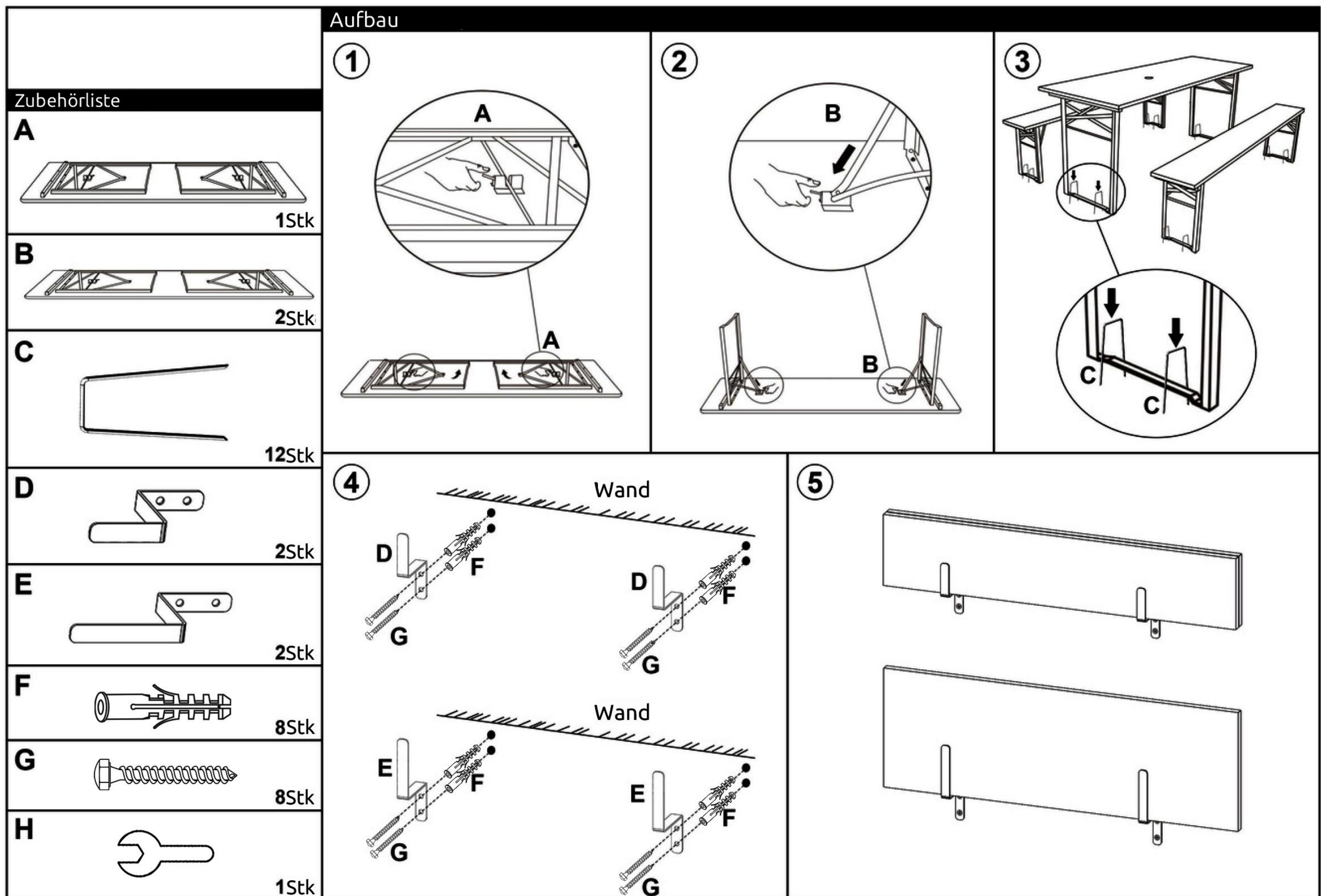


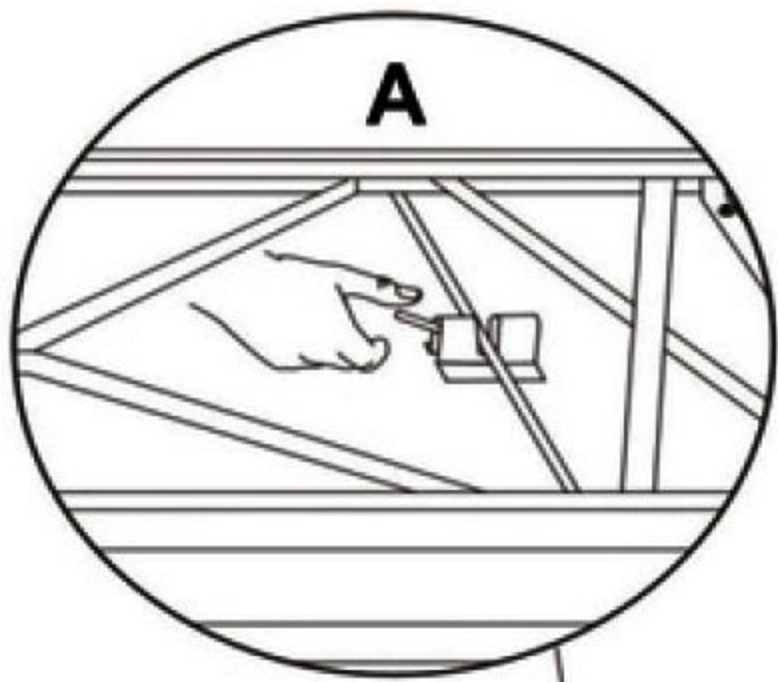
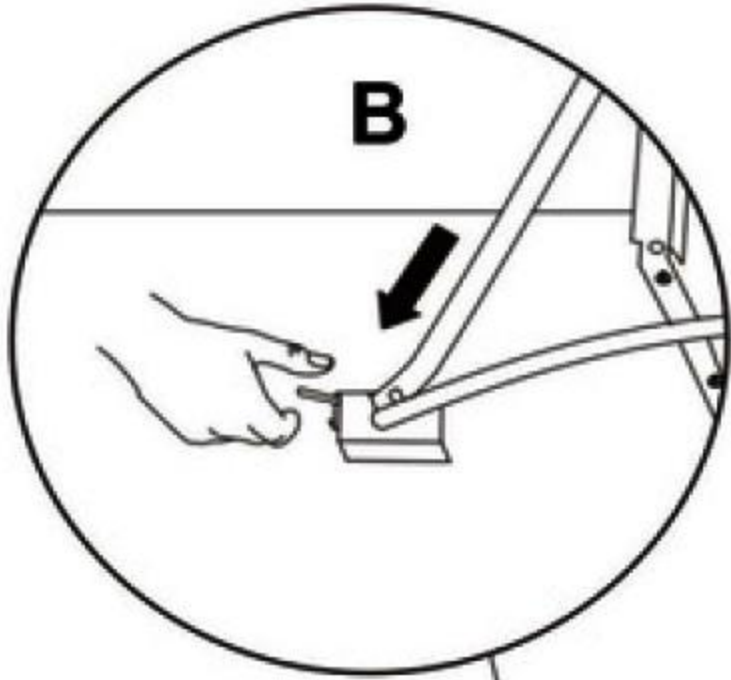
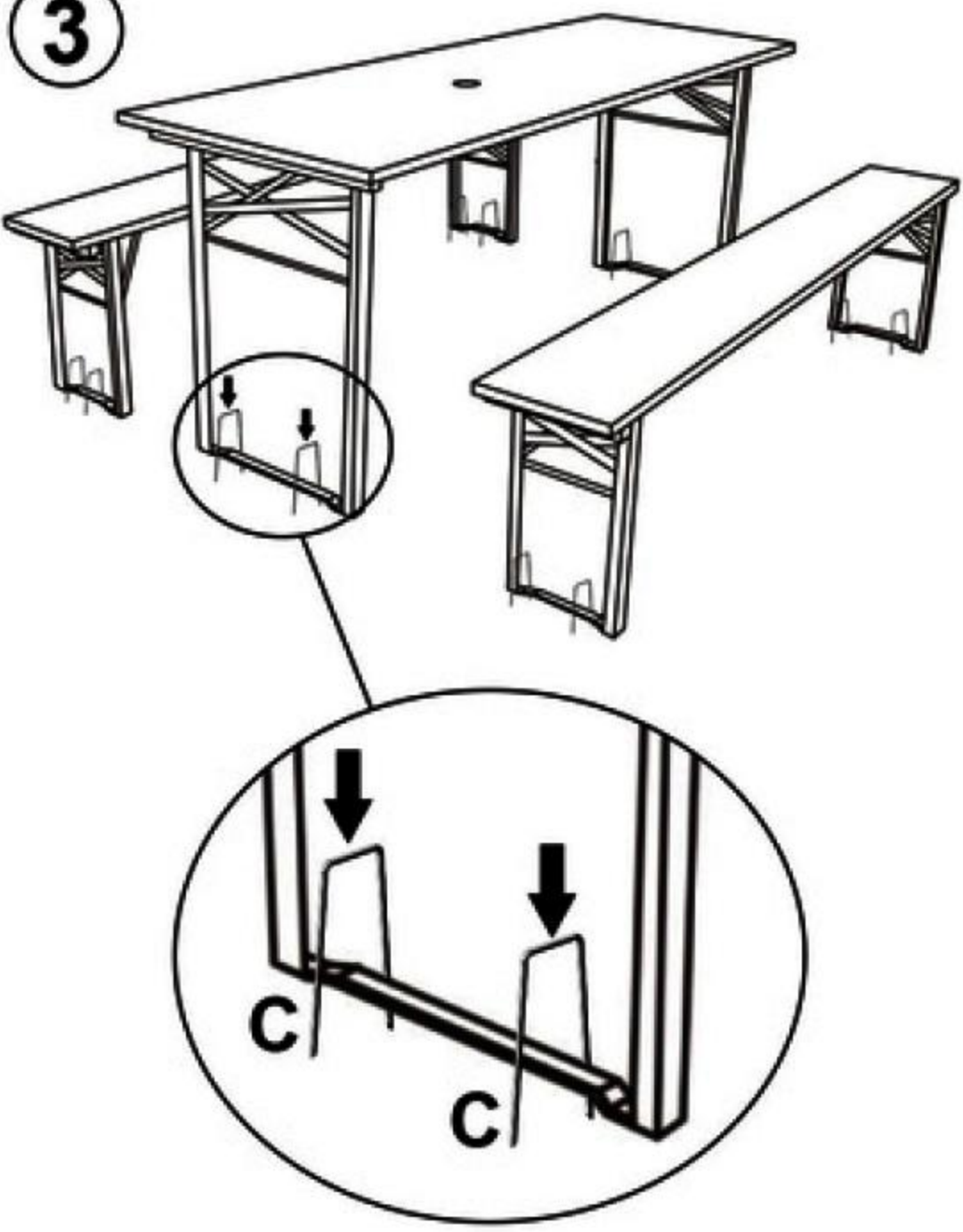
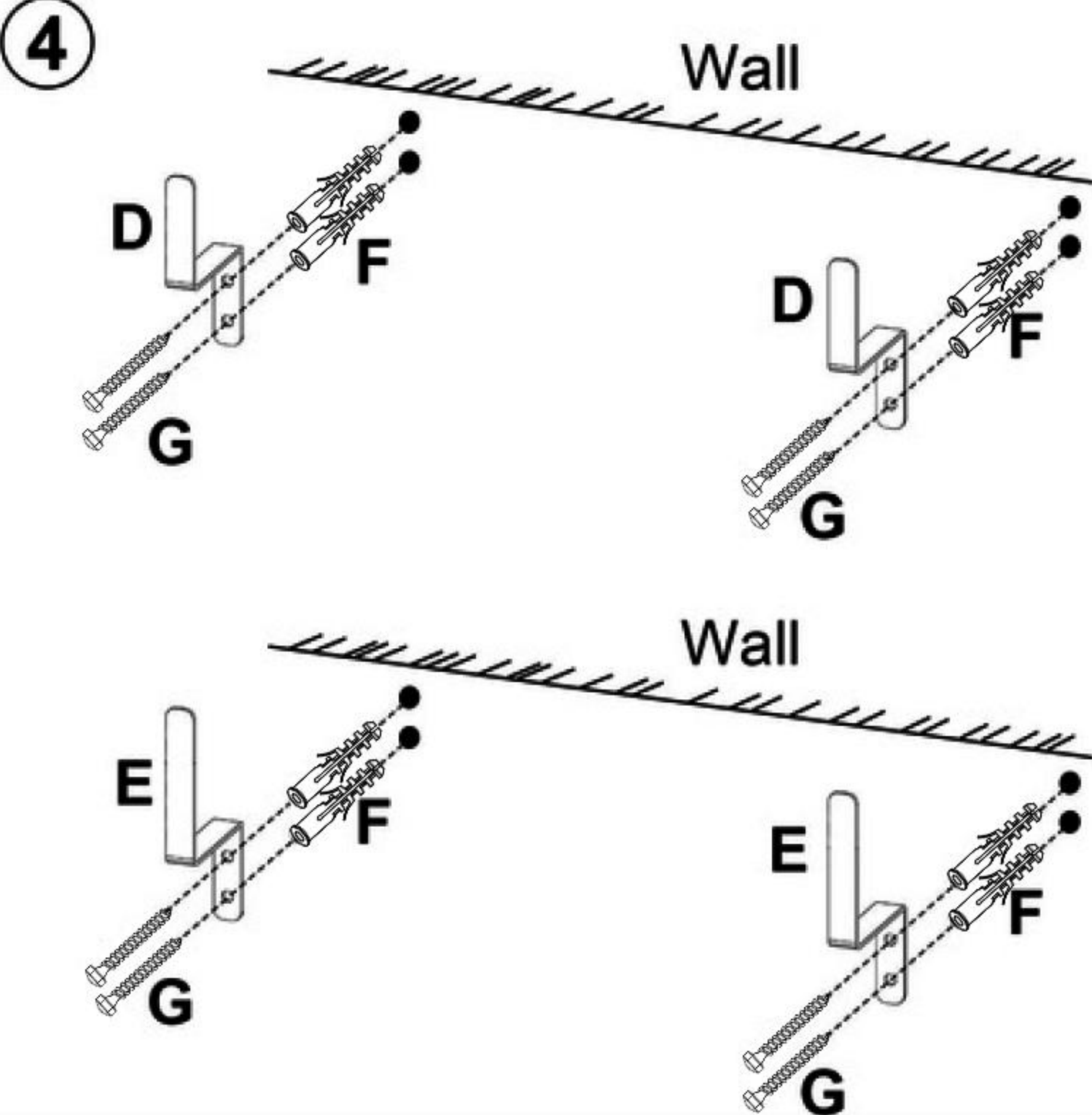
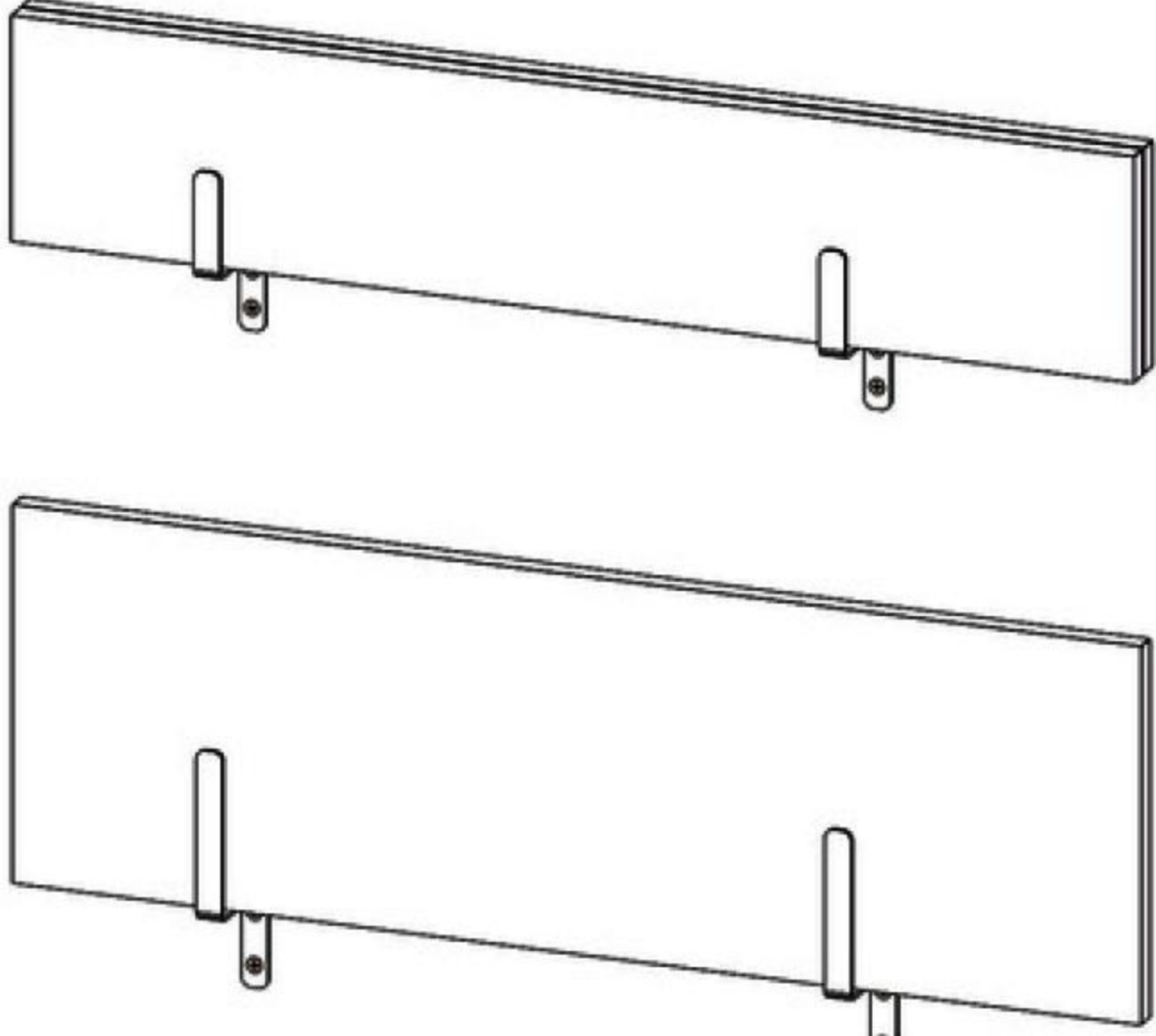
Montageanleitung

Bierzeltgarnitur für Kinder H4H391



Assembly Instruction

Beer tent set for children H4H391

INSTRUCTIONS		Installation process		
Accessories list		<p>① </p> <p>② </p> <p>③ </p> <p>④ </p> <p>⑤ </p>	<p>A 1PCS</p> <p>B 2PCS</p> <p>C 12PCS</p> <p>D 2PCS</p> <p>E 2PCS</p> <p>F 8PCS</p> <p>G 8PCS</p> <p>H 1PCS</p>	
A				
B				
C				
D				
E				
F				
G				
H				