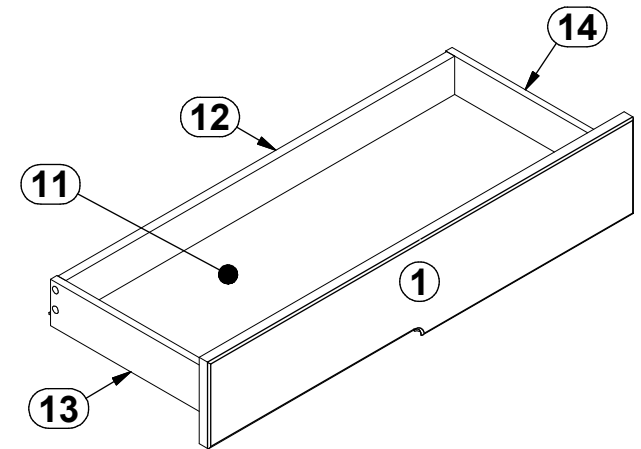
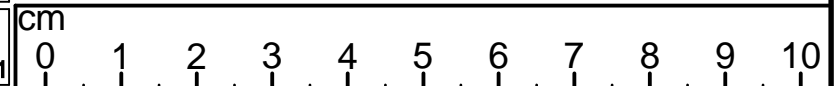


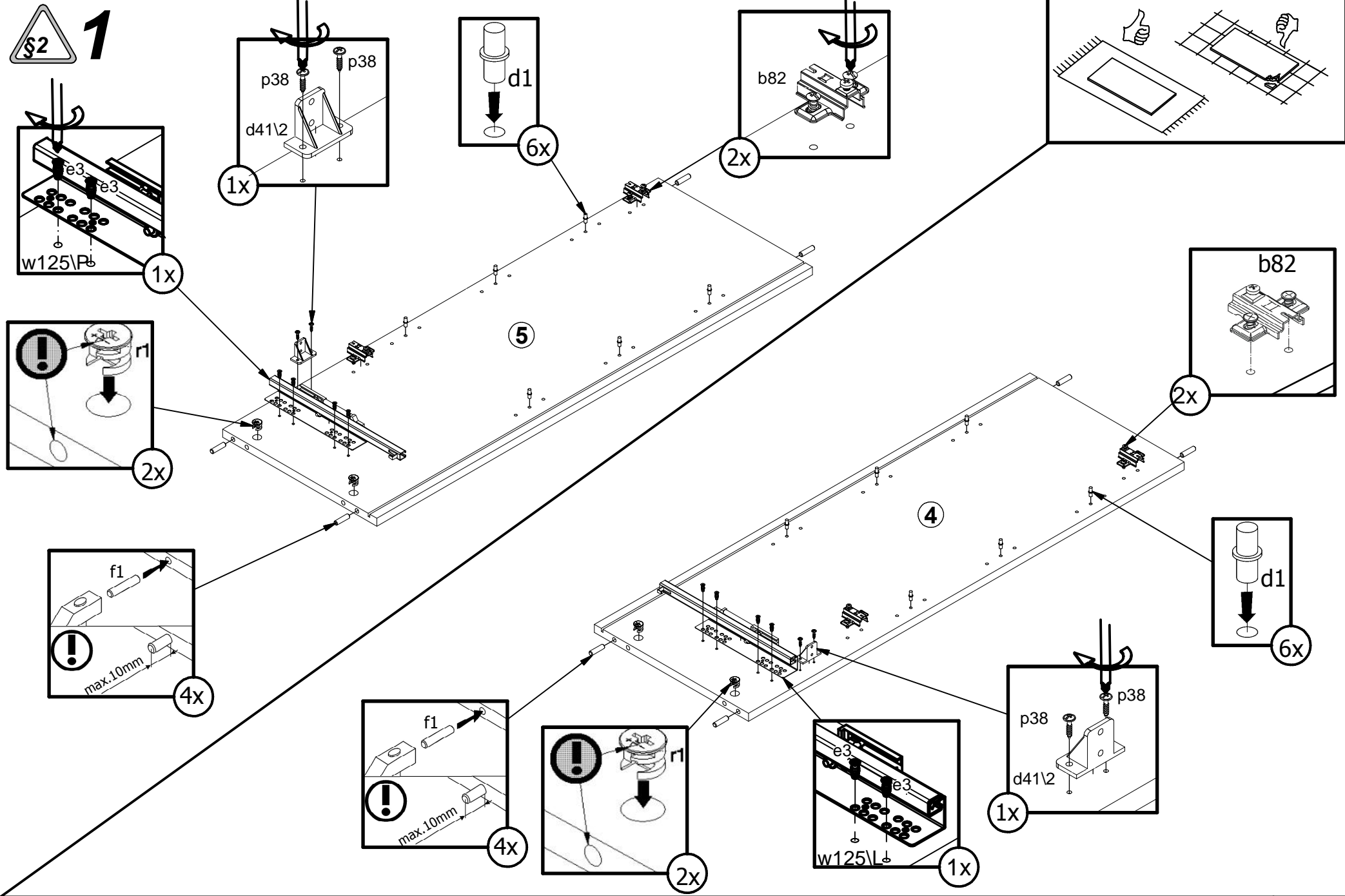
A	B	C1	C2	C3	D
1	M252-0001	156	796	19	2/2
2	M252-0002	858	396	19	2/2
3	M252-0003	842	396	19	2/2
4	M252-1003	1012	358	16	1/2
5	M252-1004	1012	358	16	1/2
6	M252-2003	801	380	22	1/2
7	M252-2004	801	358	16	1/2
8	M252-3004	767	338	16	1/2
9	M252-5001	768	60	16	2/2
10	M252-9302	1022	779	2,5	1/2
11	WSP-9031	737	308	2,5	1/2
12	ZQ6-5114	728	62	15	2/2
13	ZQ6-525	300	75	12	1/2
14	ZQ6-526	300	75	12	1/2

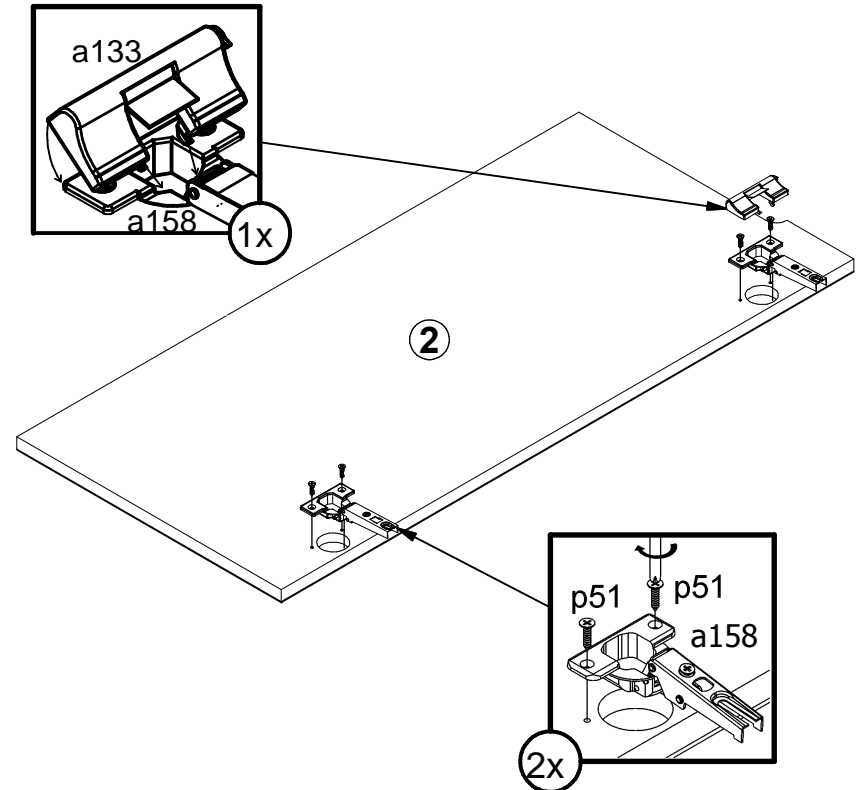
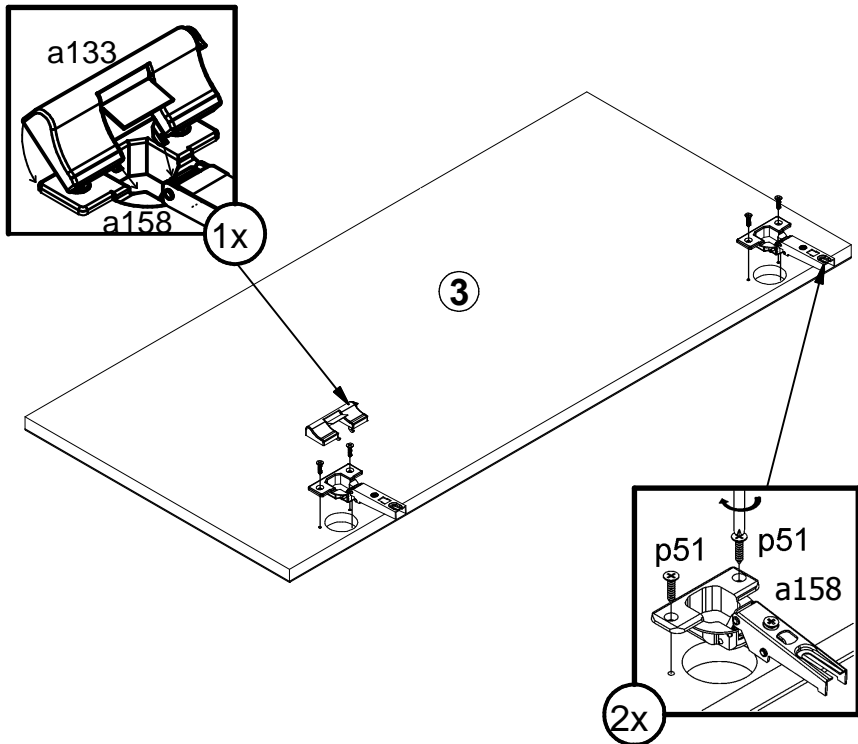
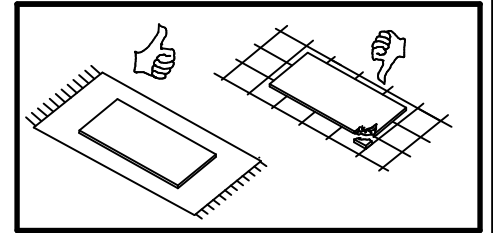
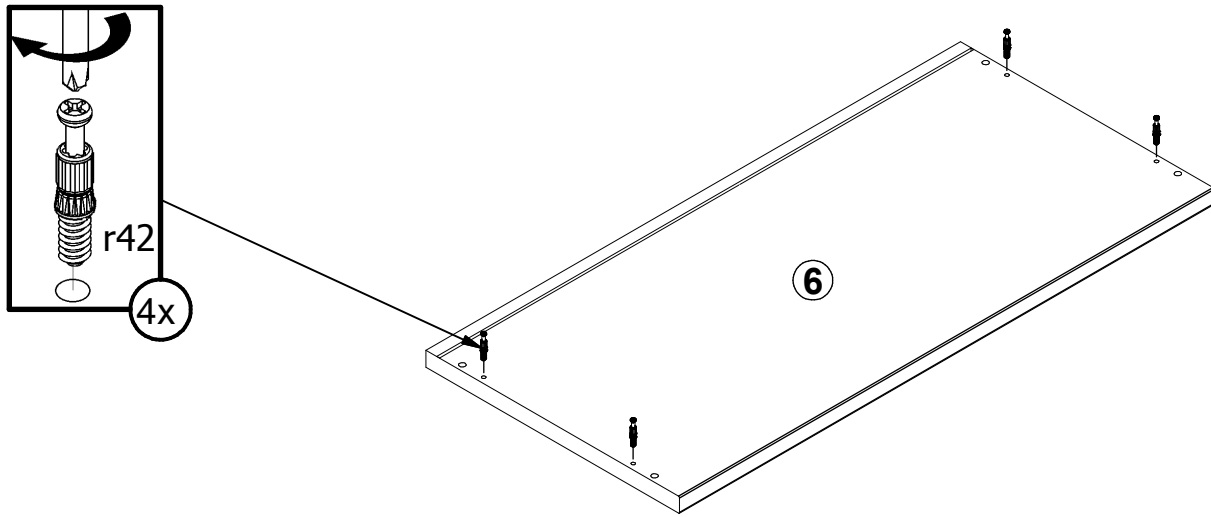


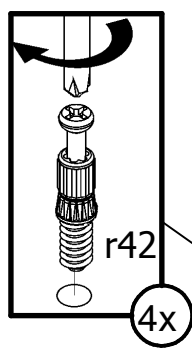
2x a133	4x a158	4x b82	12x d1 Ø5x17 mm	2x d41/2	4x e1 Ø7x50 mm	8x e3 Ø6x13 mm	8x f1 Ø8x30 mm
4x f25 Ø6.5x40 mm	5x k53	8x l2	1x p25 Ø3.5x16 mm	1x p35 Ø3.5x10 mm	5x p36 Ø4x25 mm	14x p38 Ø3.5x16 mm	8x p51 Ø3.5x15 mm
2x p55 Ø2.9x16 mm	4x r1 Ø15x12 mm #16	4x r15 Ø12x10.5 mm #12	8x r42	1x t25 300 mm	1x w125L 300 mm	1x w125P 300 mm	1x z1

1x f35 Ø10x50 mm	1x p17 Ø5x60 mm	2x p38 Ø3.5x16 mm	1x n14/2 86x21x15/1.5
----------------------------	---------------------------	-----------------------------	---------------------------------

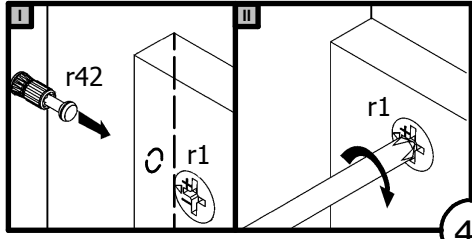
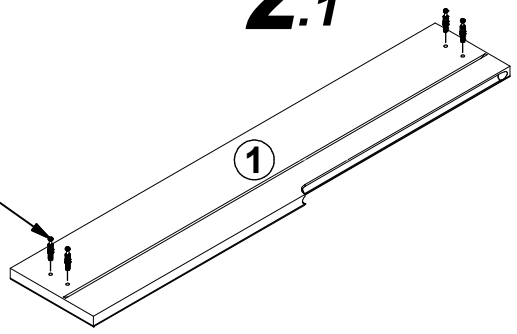




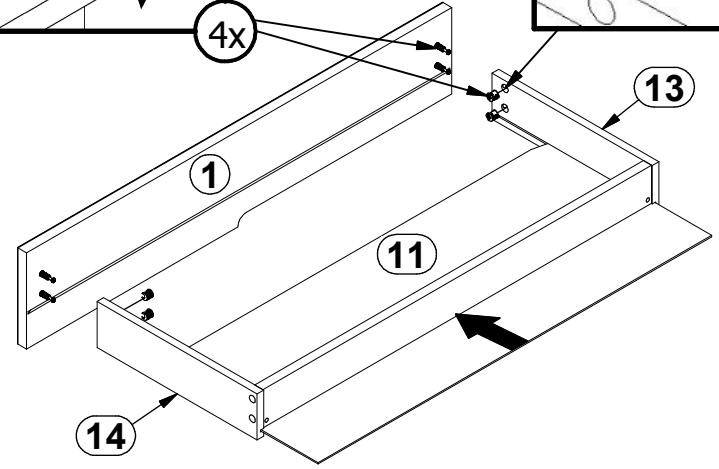
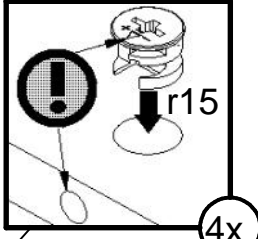




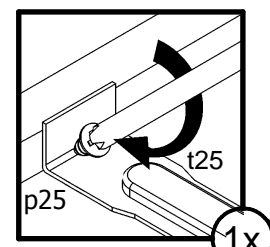
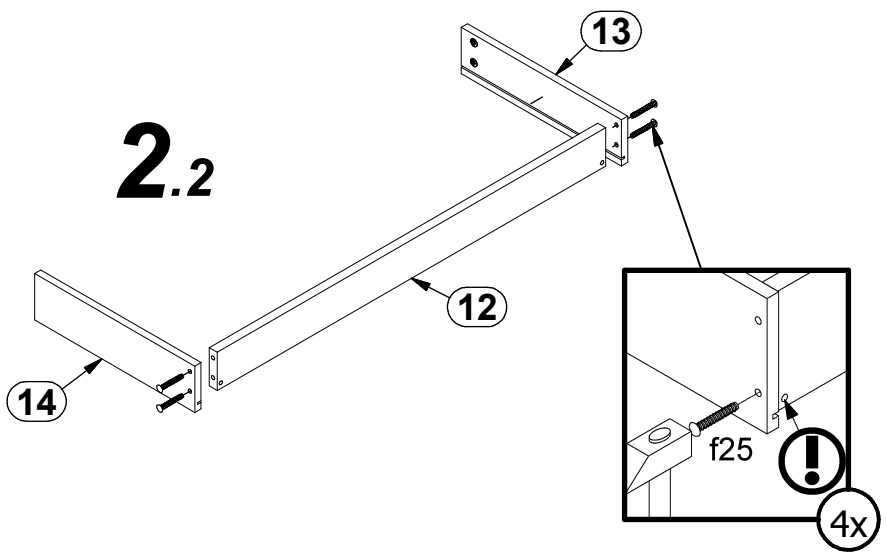
2.1



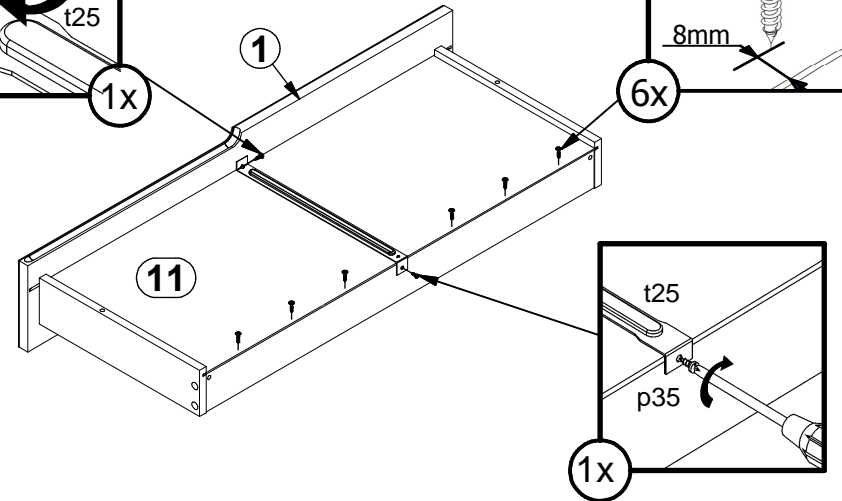
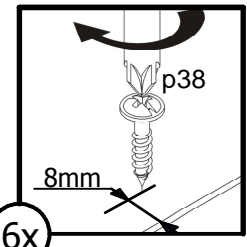
2.3

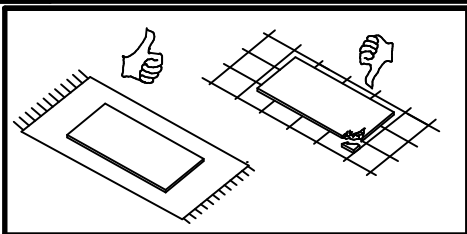


2.2

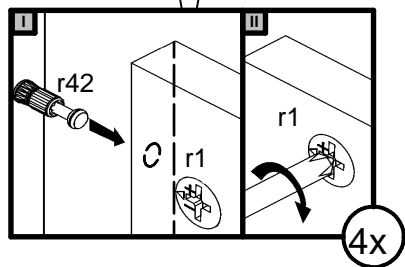
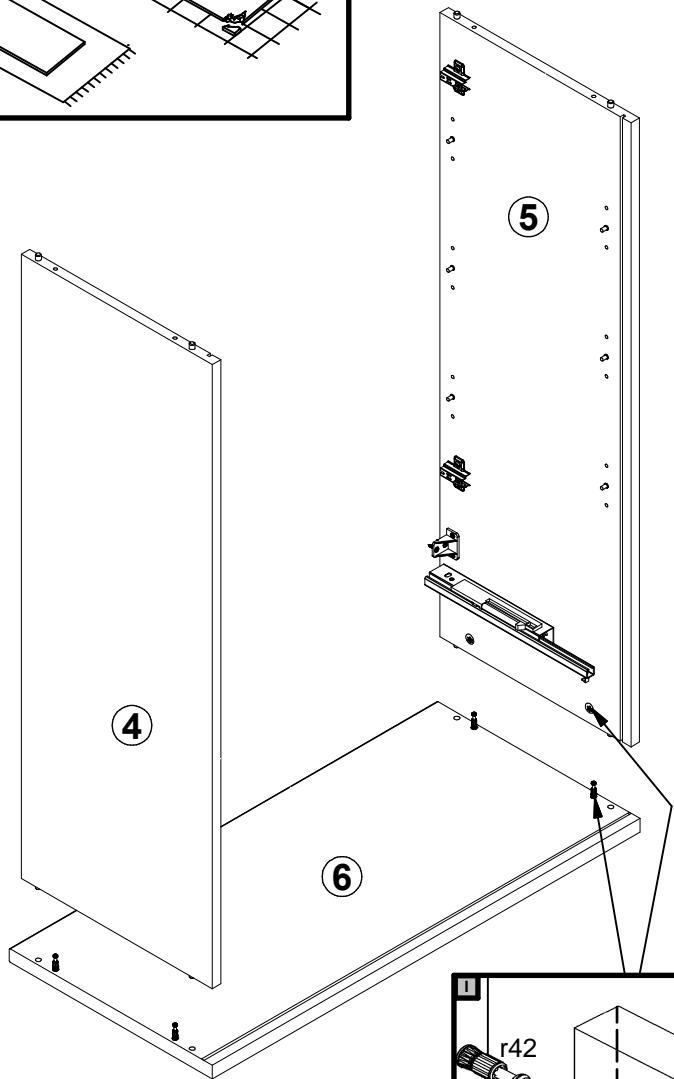


2.4

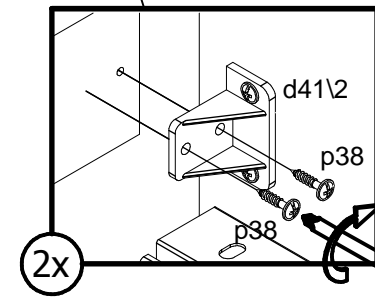
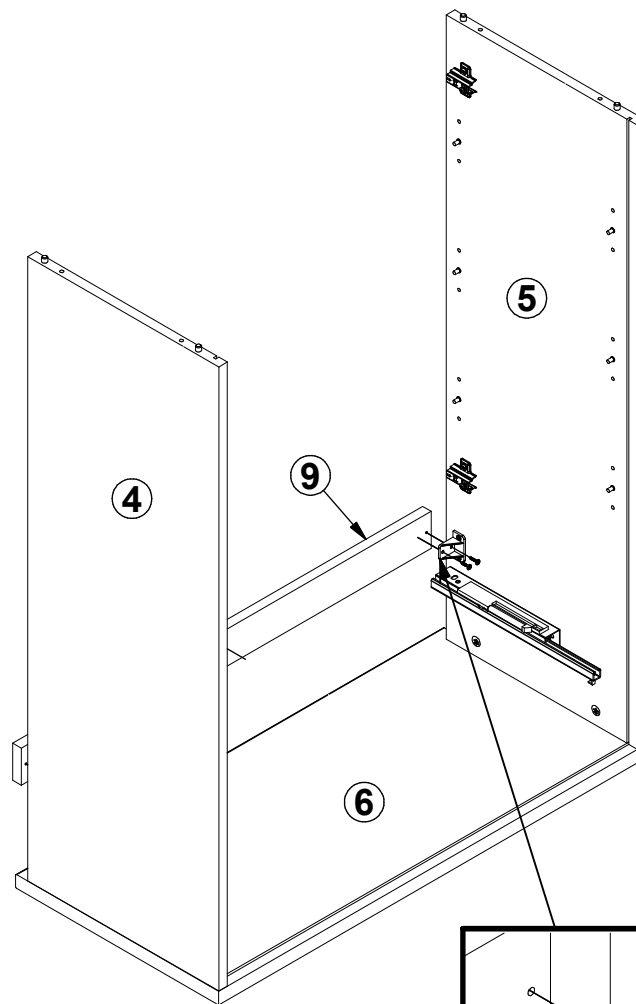




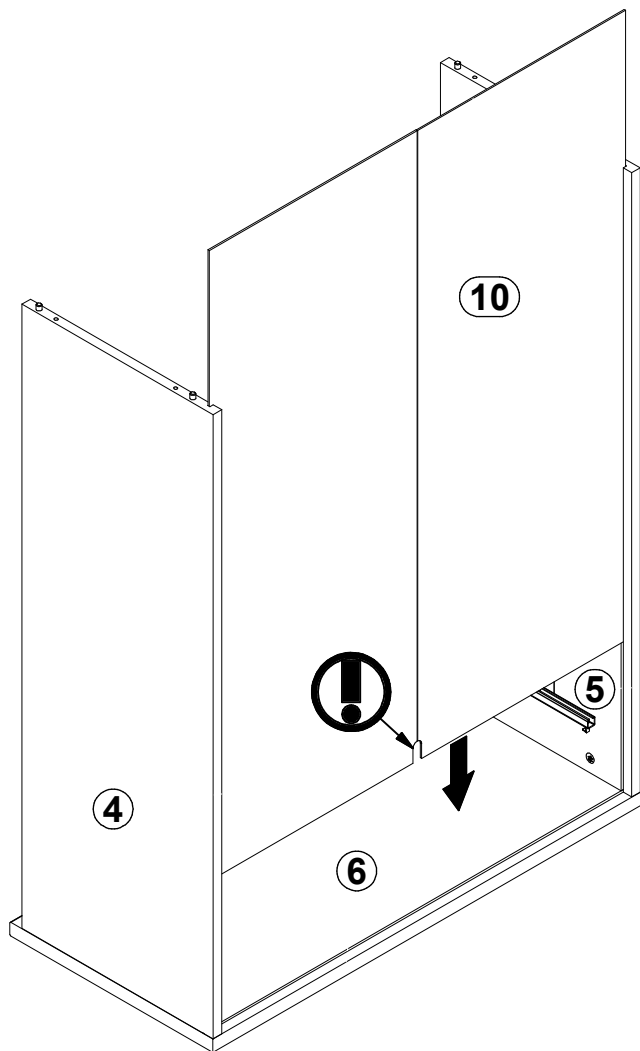
3



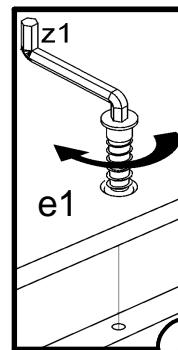
4



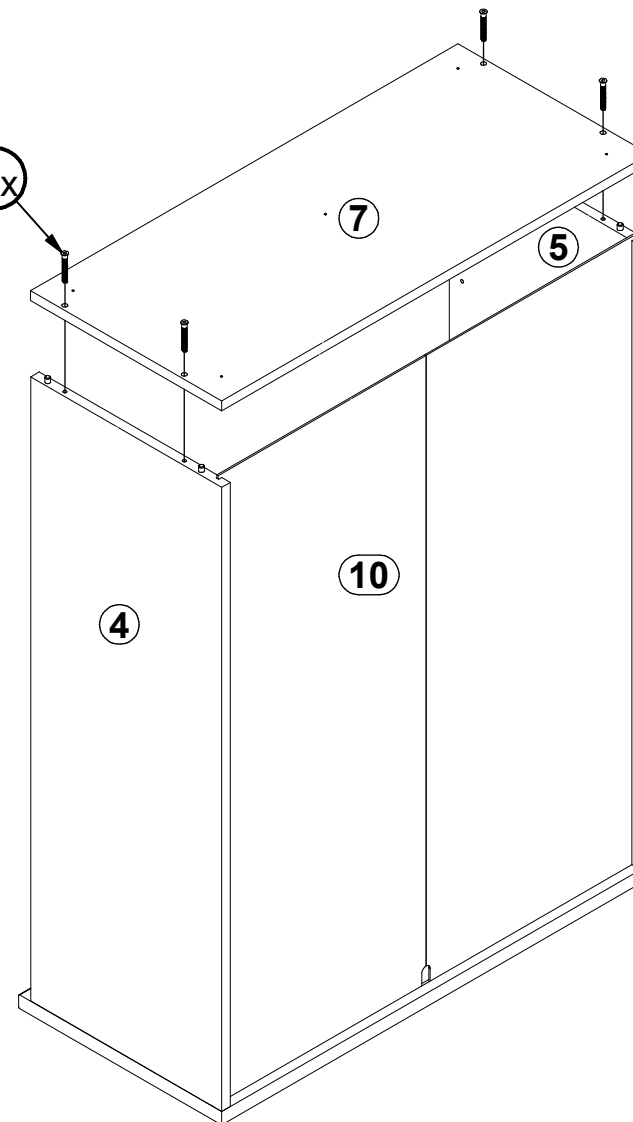
5



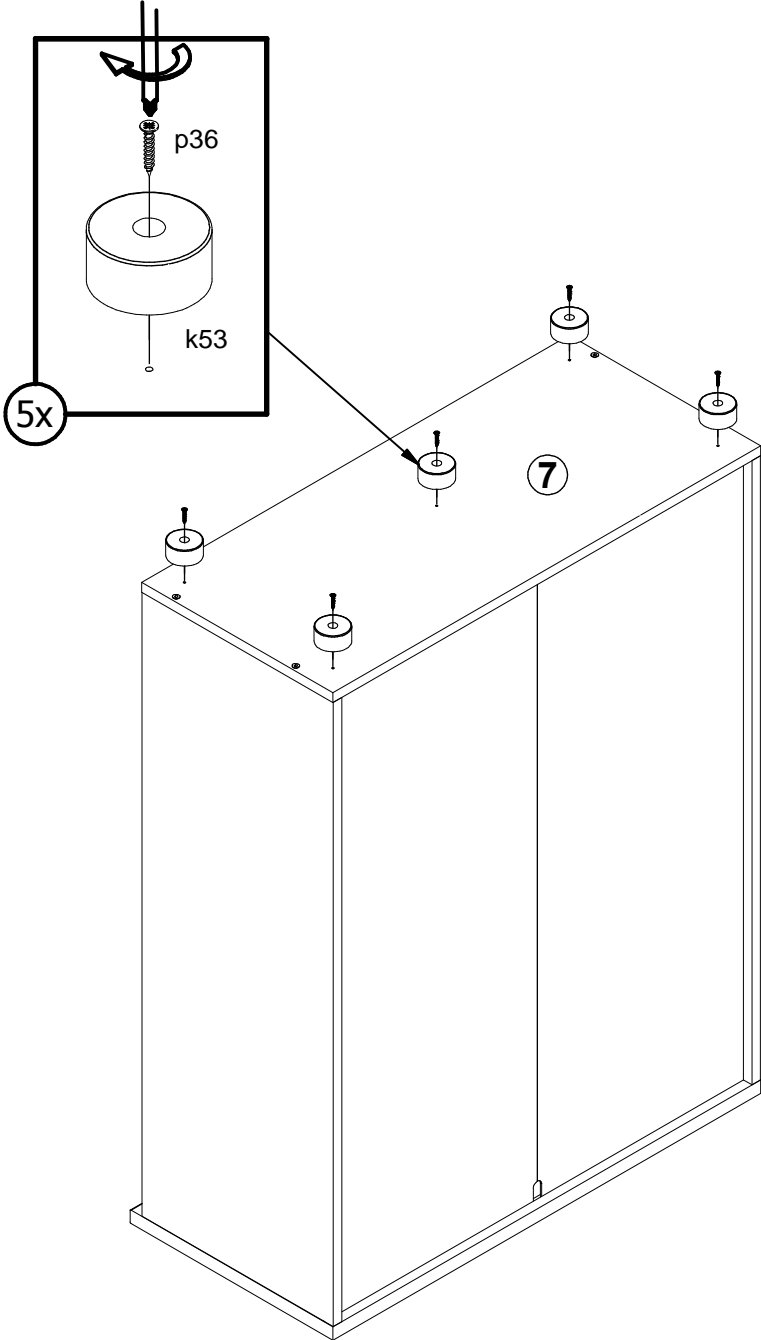
6



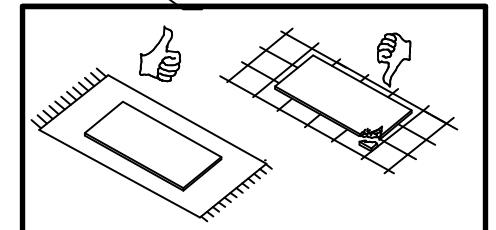
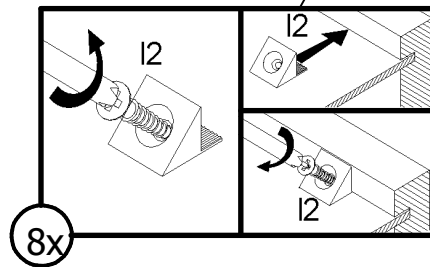
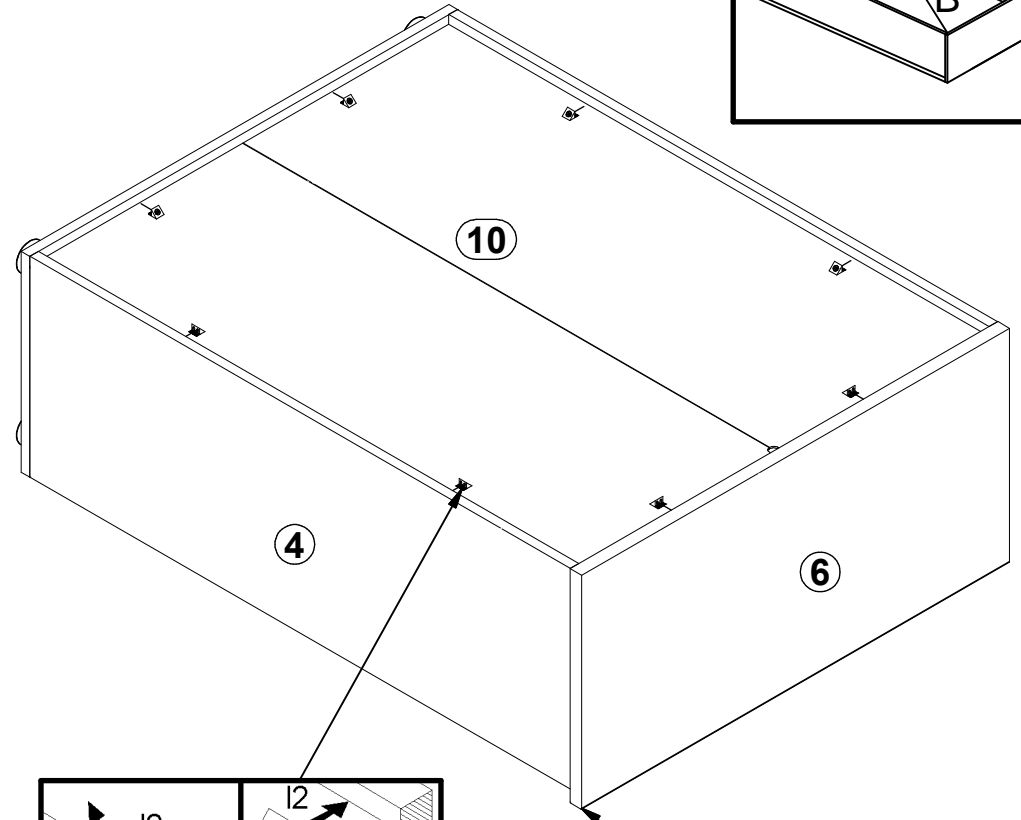
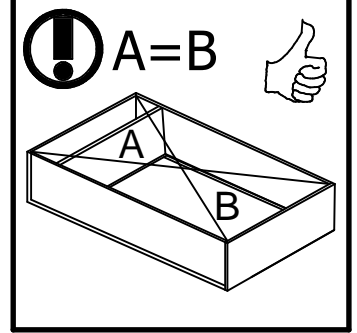
4x

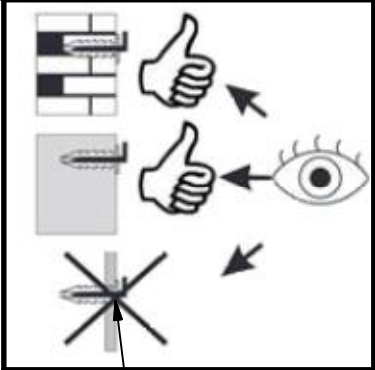
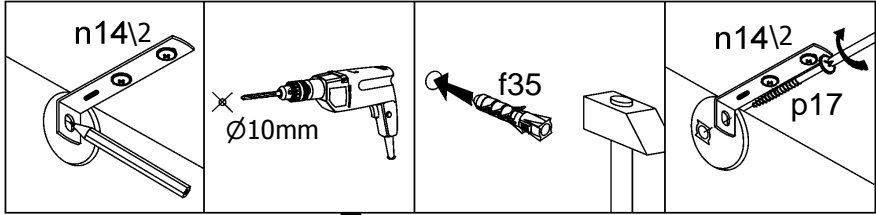


7

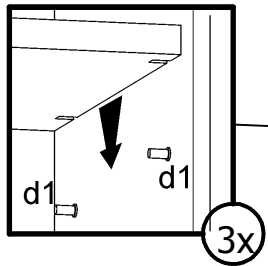
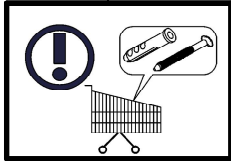
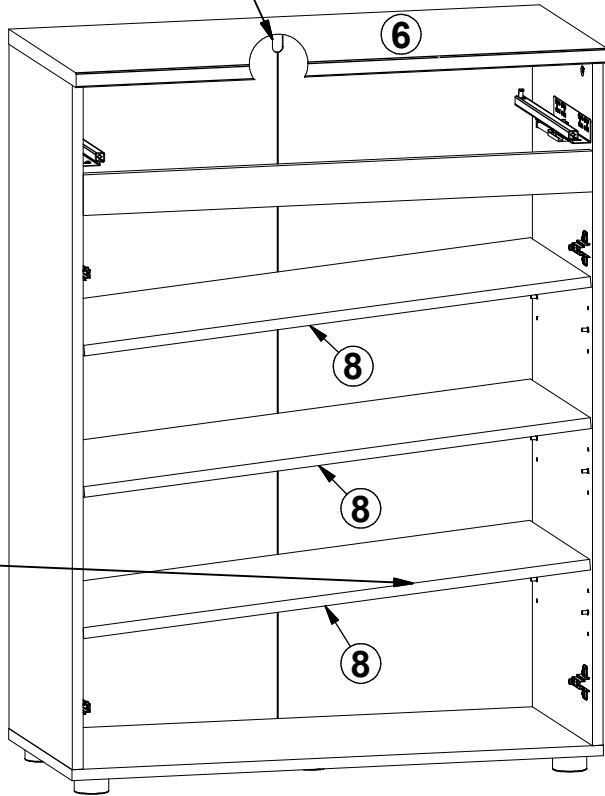


8

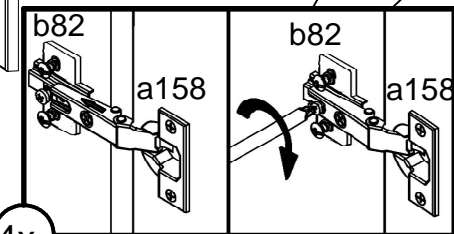
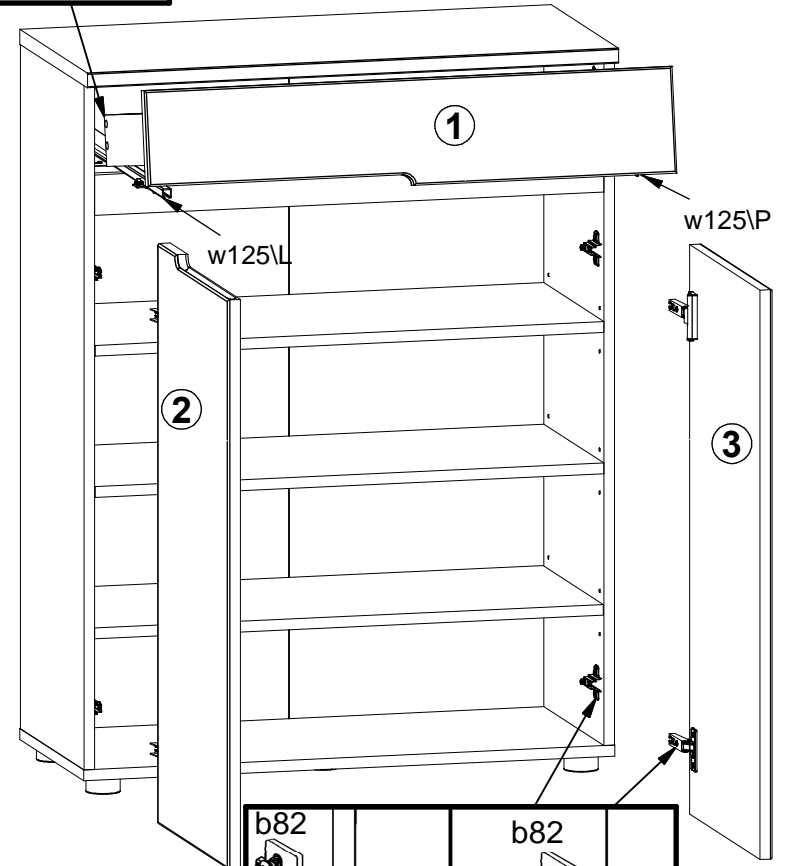
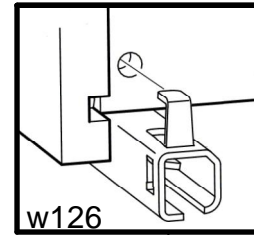
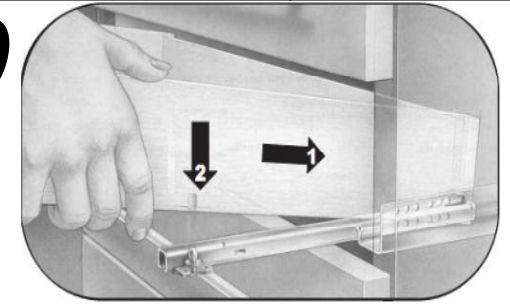




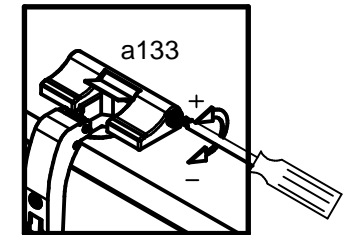
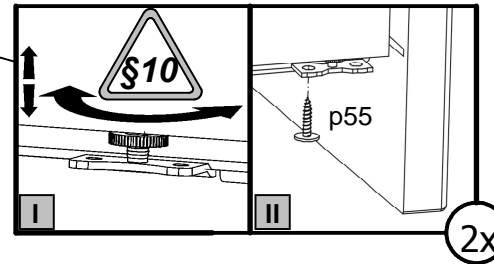
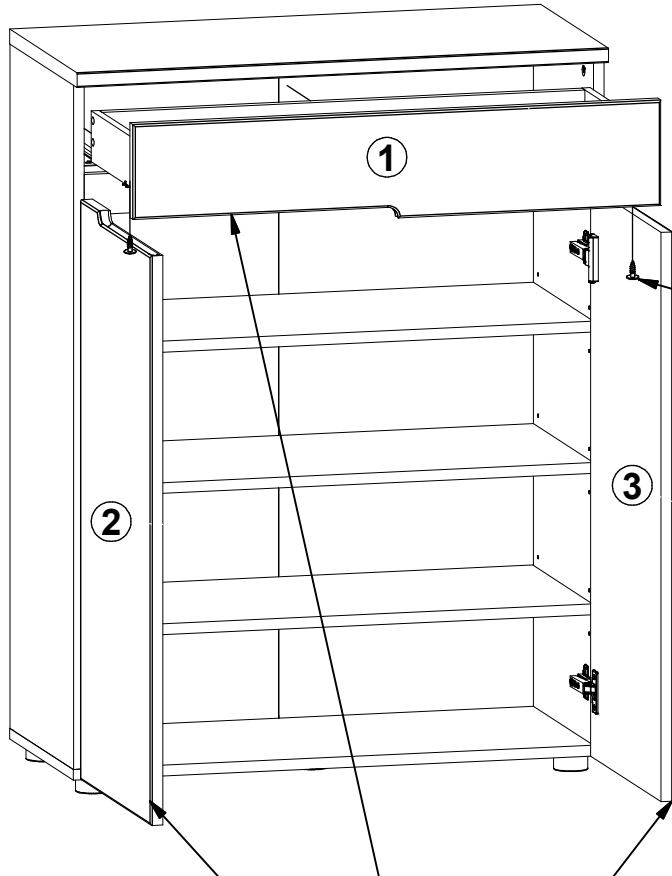
9



10



11



30C3GW10 →

