







① x 4 

② x 16 

③ x 2 

④ x 2 

⑤ x 2 

⑥ x 2 

⑦ x 2 

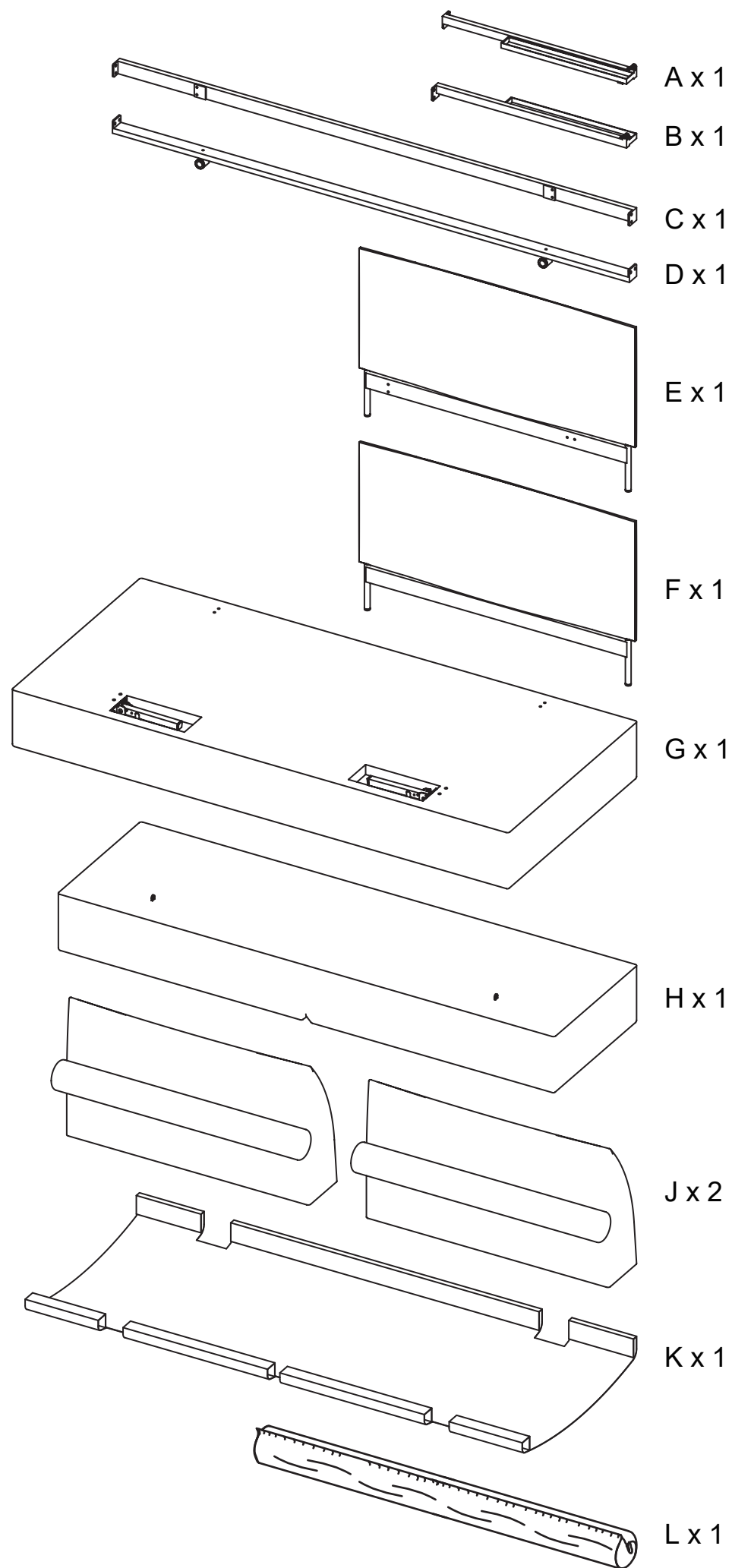
⑧ x 2 

⑨ x 1 

⑩ x 1 

⑪ x 1 

⑫ x 1 



A x 1

B x 1

C x 1

D x 1

E x 1

F x 1

G x 1

H x 1

J x 2

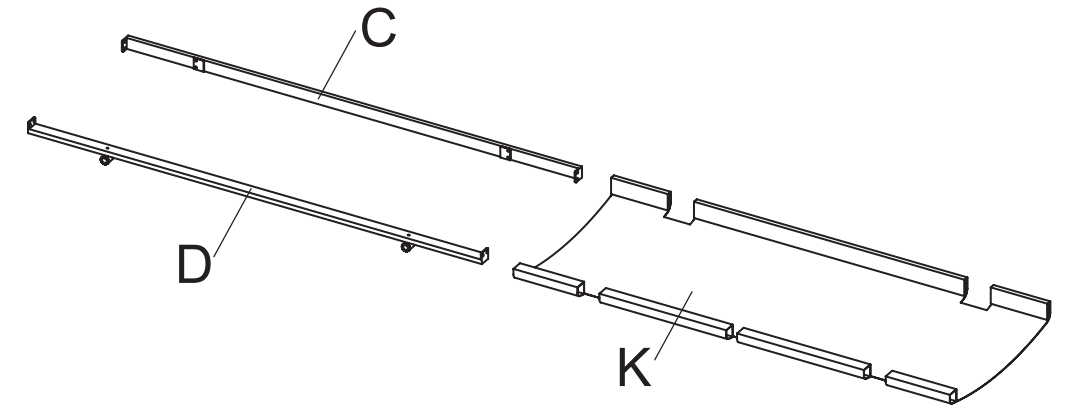
K x 1

L x 1




069916

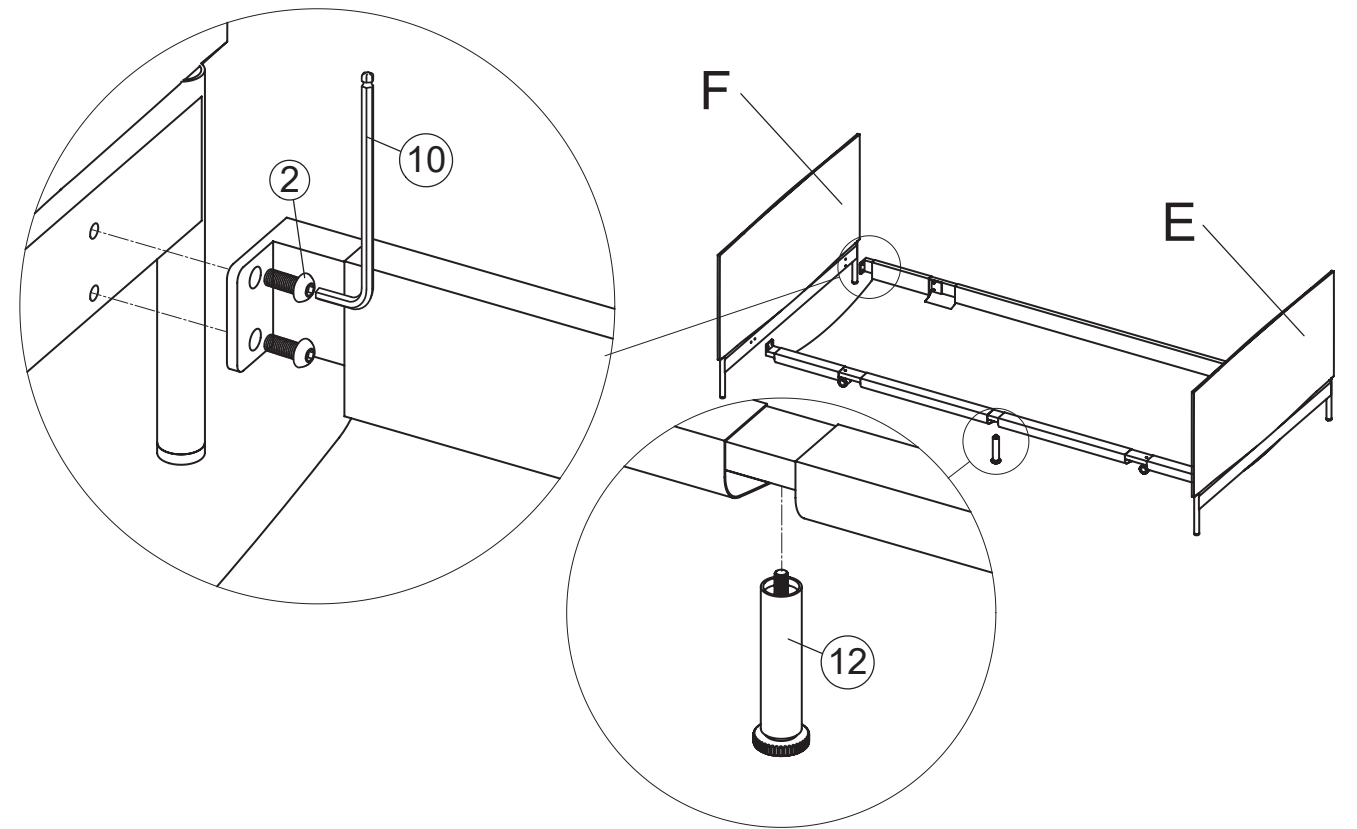
1



2

② x 8 

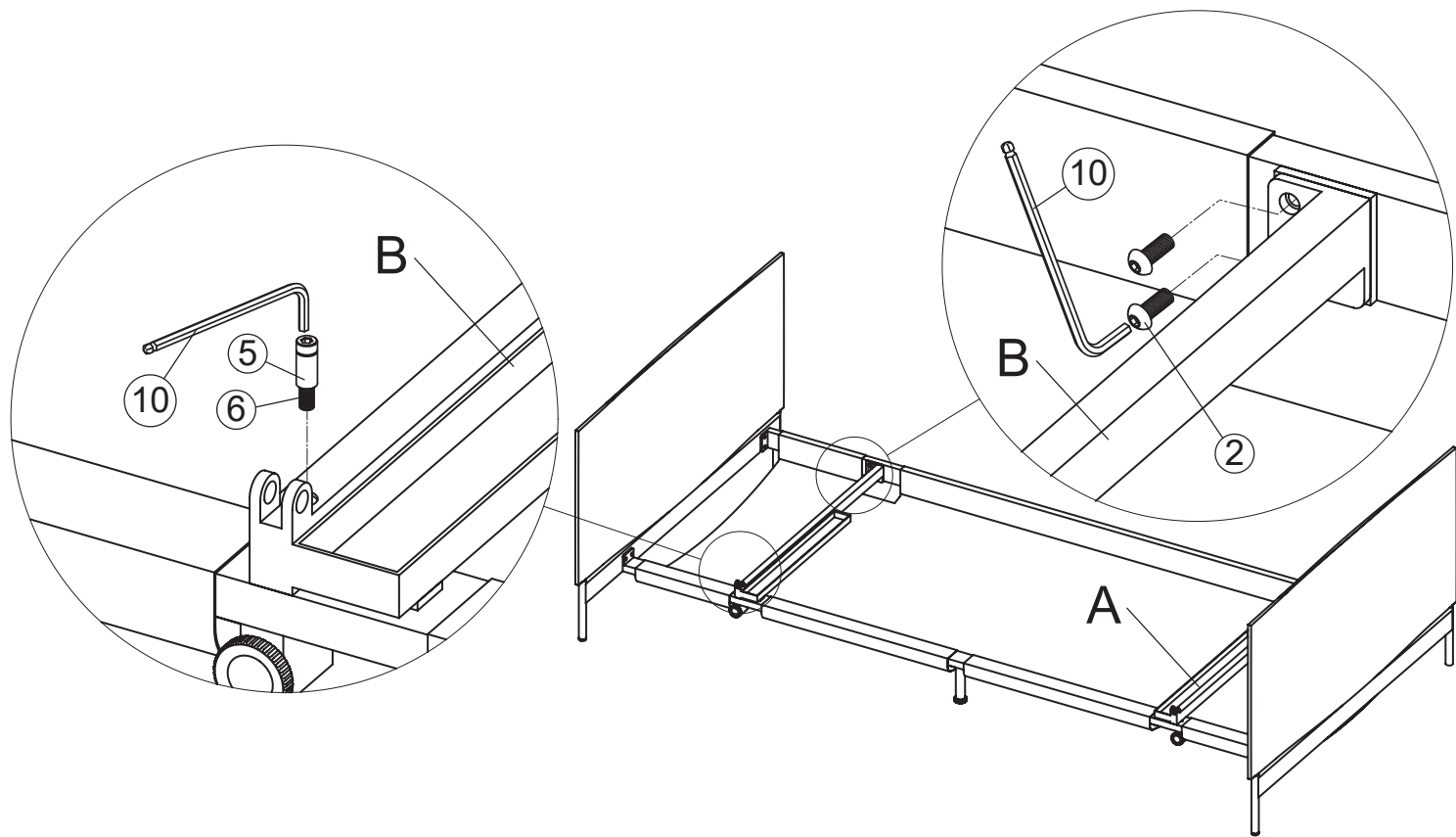
⑫ x 1 







3

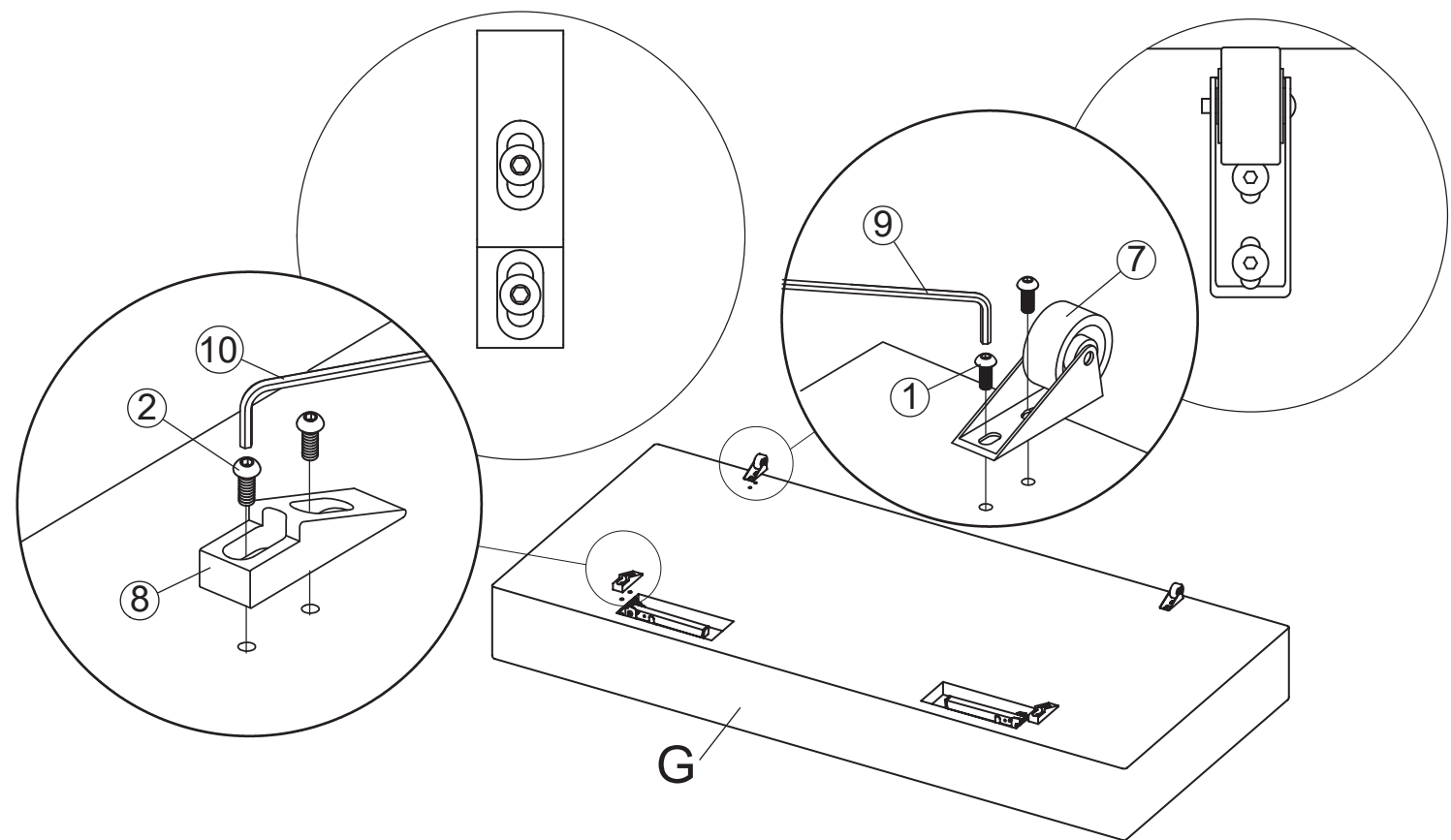
② x 4  ⑤ x 2  ⑥ x 2 

069916



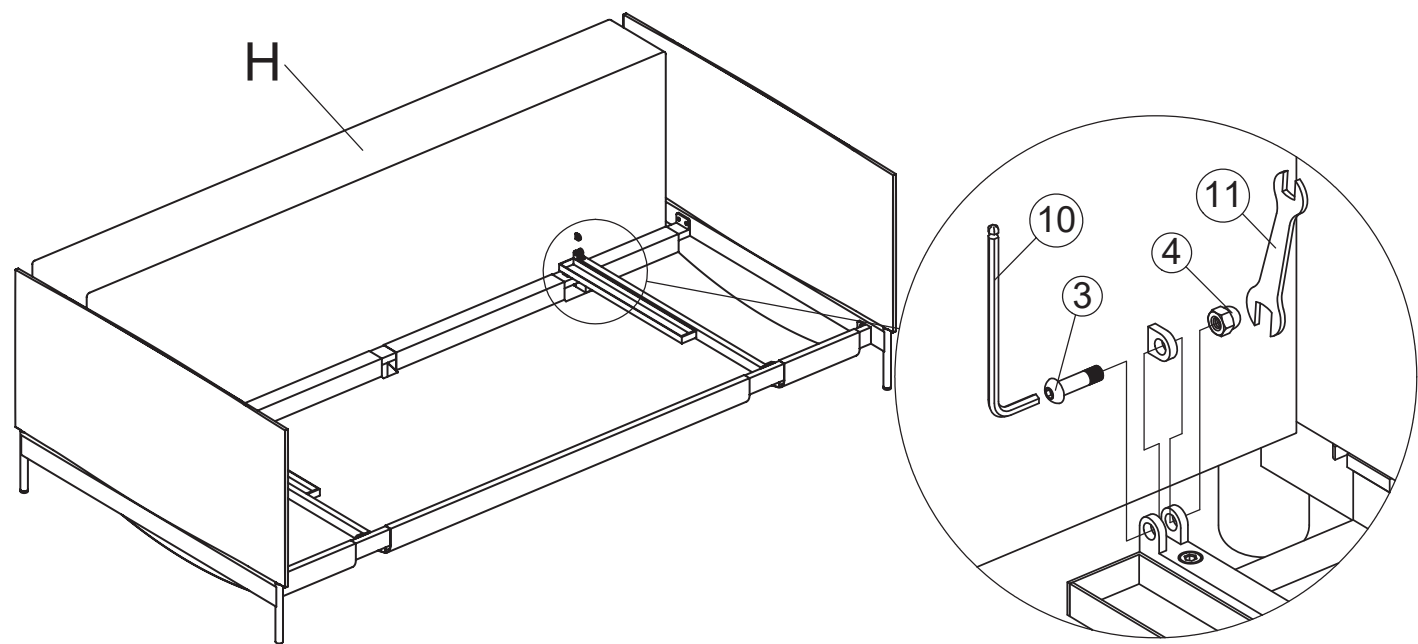
5

① x 4  ② x 4  ⑦ x 2  ⑧ x 2 

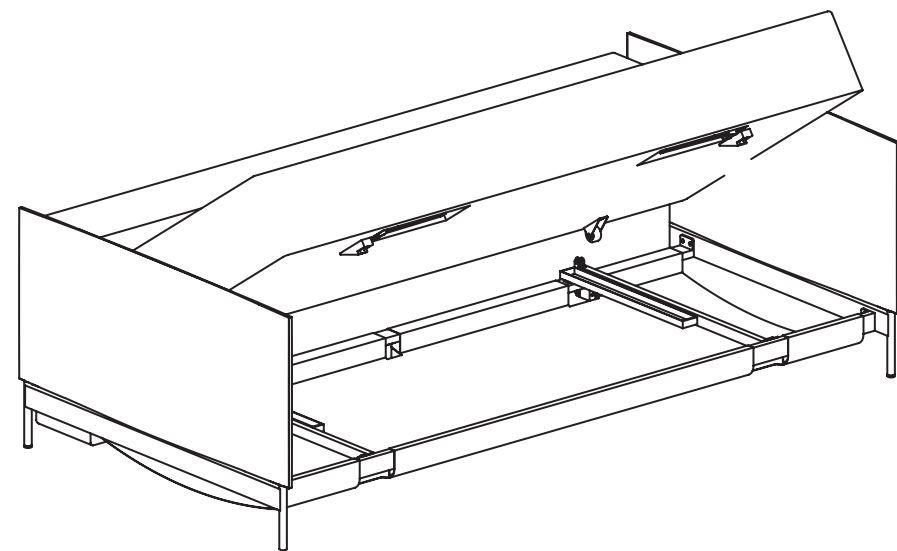


4

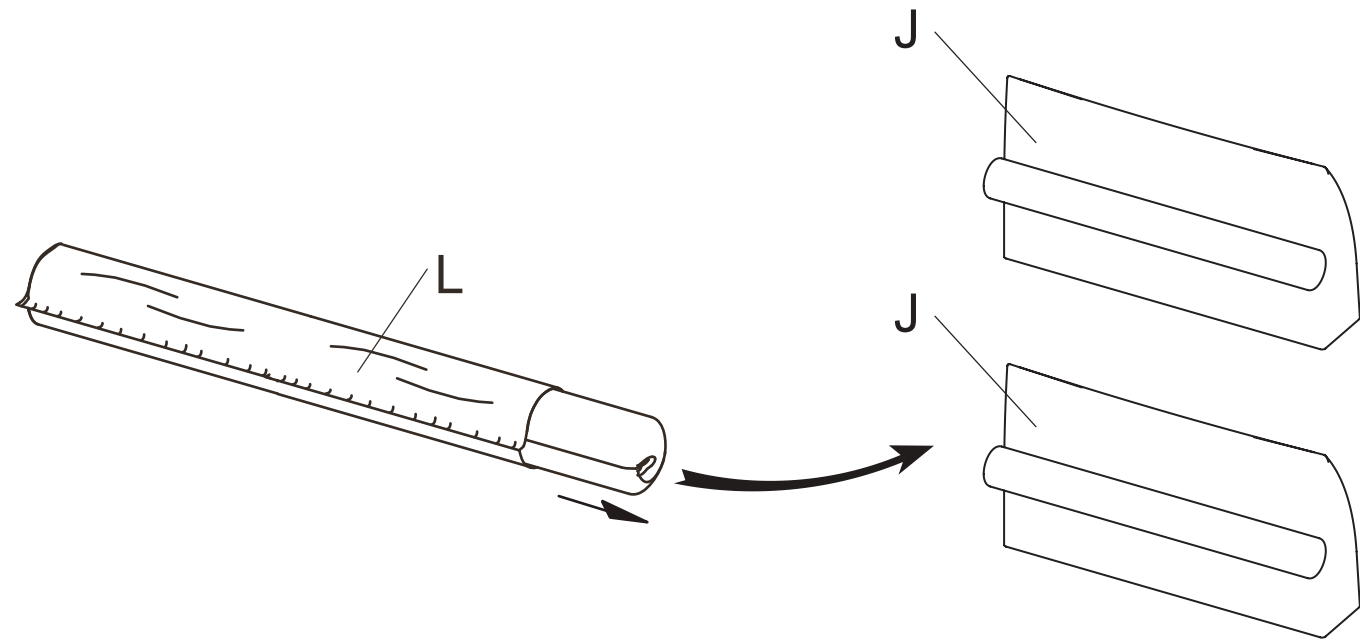
③ x 2  ④ x 2 



6

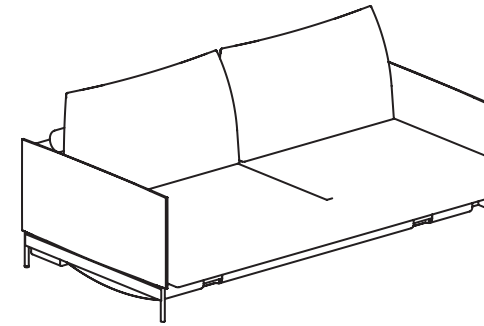


7



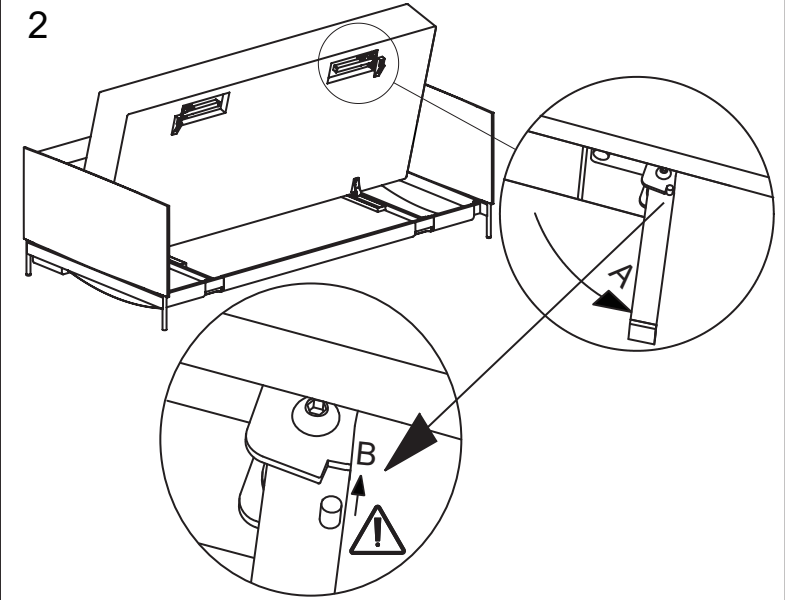
069916

1

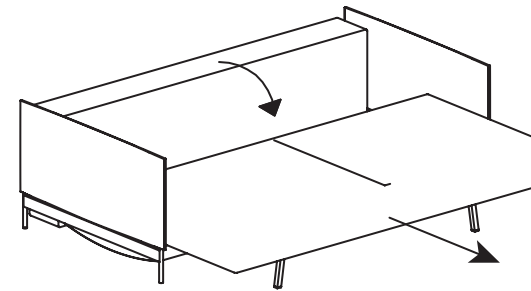


SIDDE-SITZEN-SIT-ASSISE

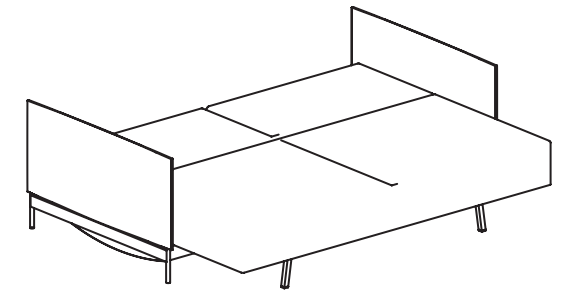
2



3

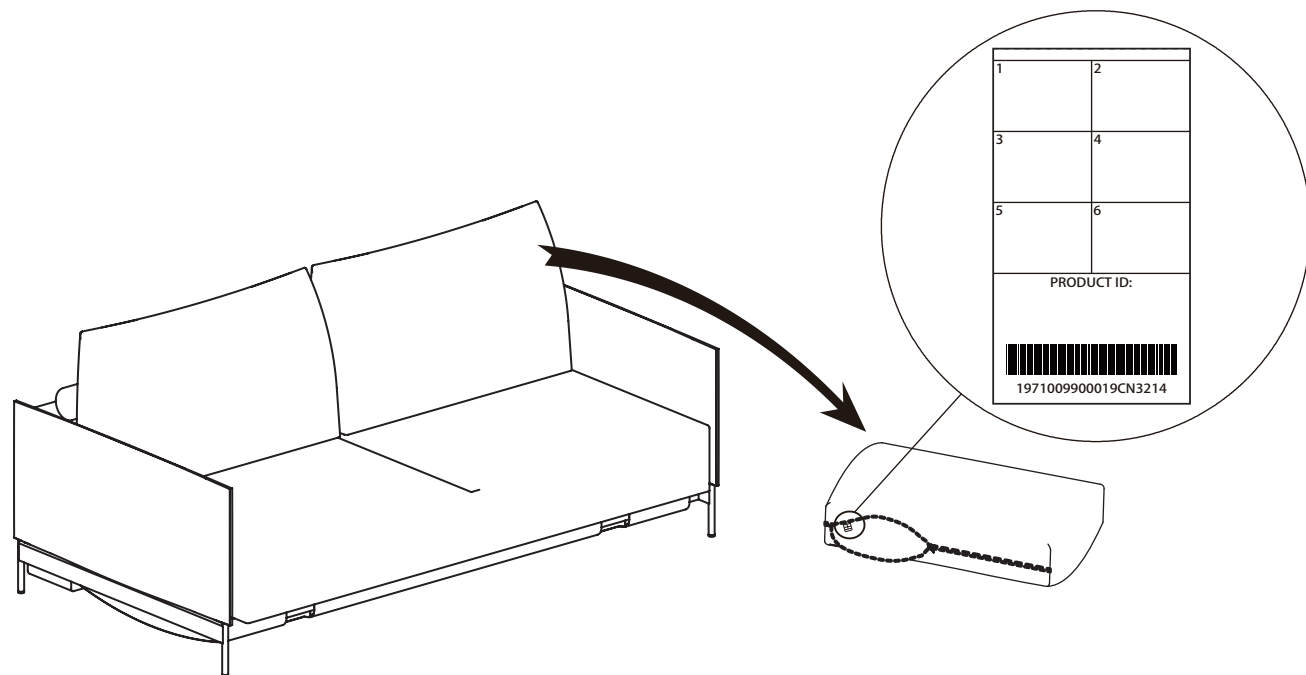


4

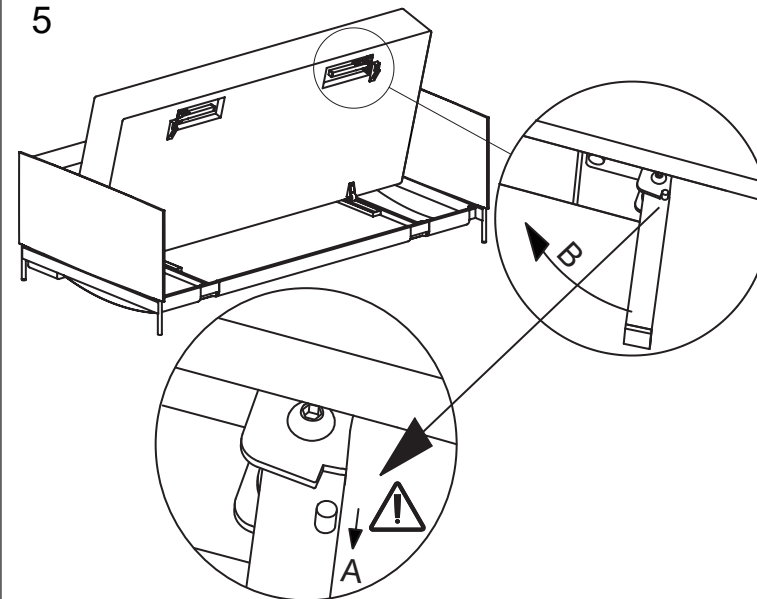


SOVE-SCHLAFEN-SLEEP-DORMIR

8



5



6

