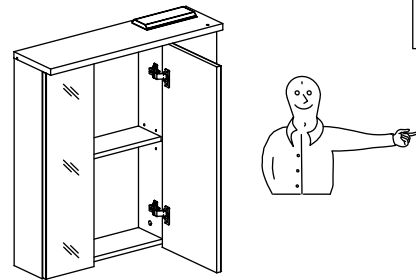
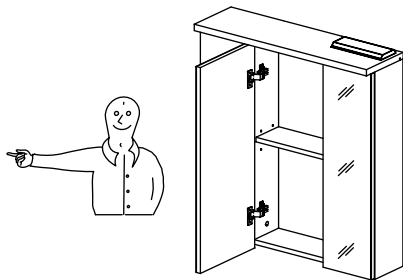
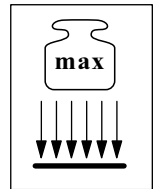
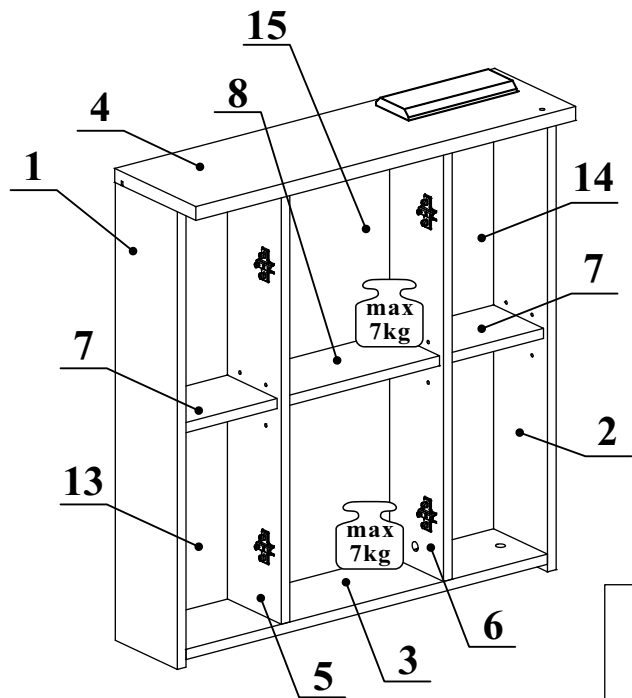
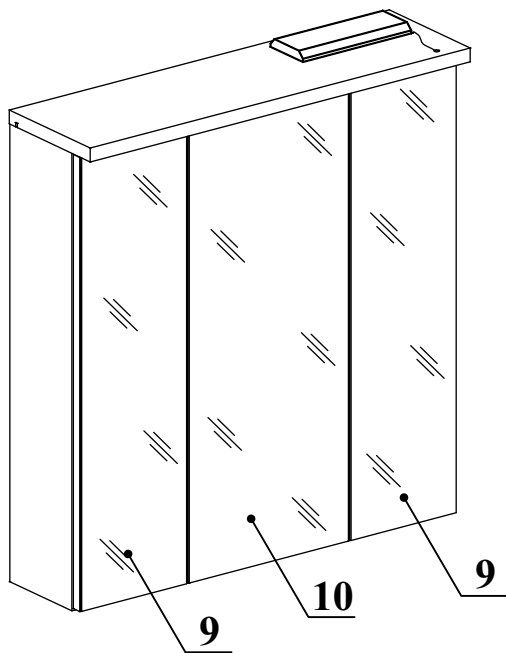
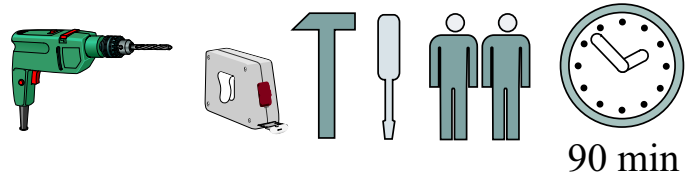


SPALT 54-088-__-6

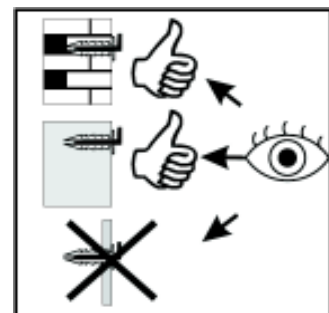
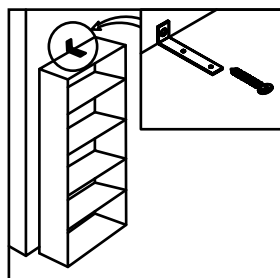
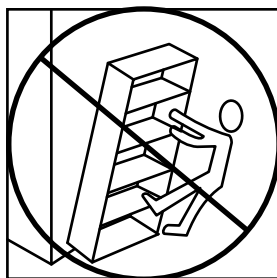
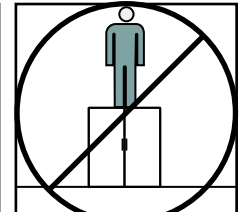
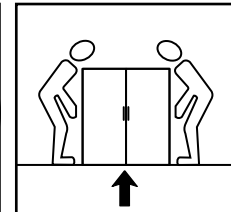
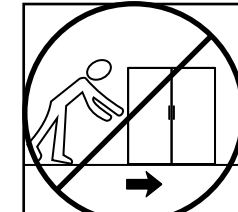
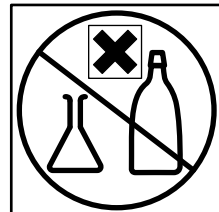
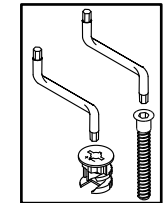
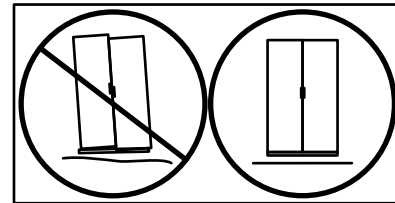
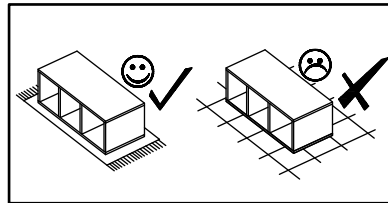
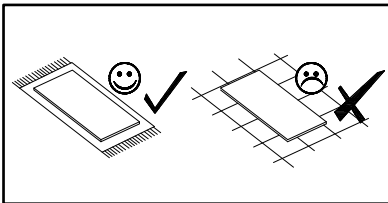
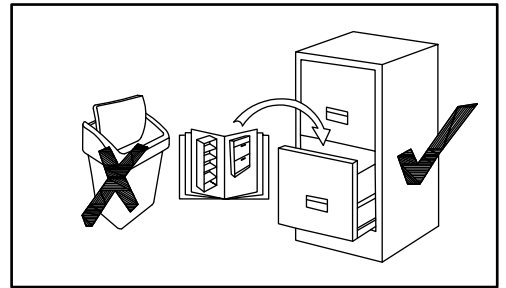
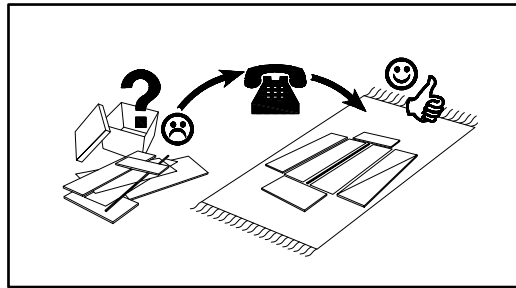
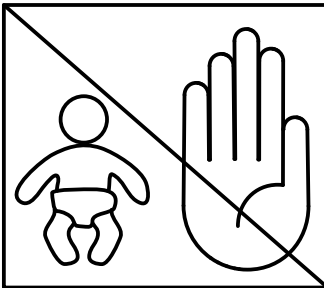
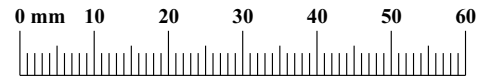


NO	Dim.		Col.-No	Qty
1	724	153	1	1
2	724	153	1	1
5	696	133	1	1
6	696	133	1	1
3	668	153	1	1
4	702	200	1	1
7	176	123	1	2
8	284	123	1	1
9	196	718	1	2
10	296	718	1	1
13	708	190	1	1
14	708	190	1	1
15	708	300	1	1

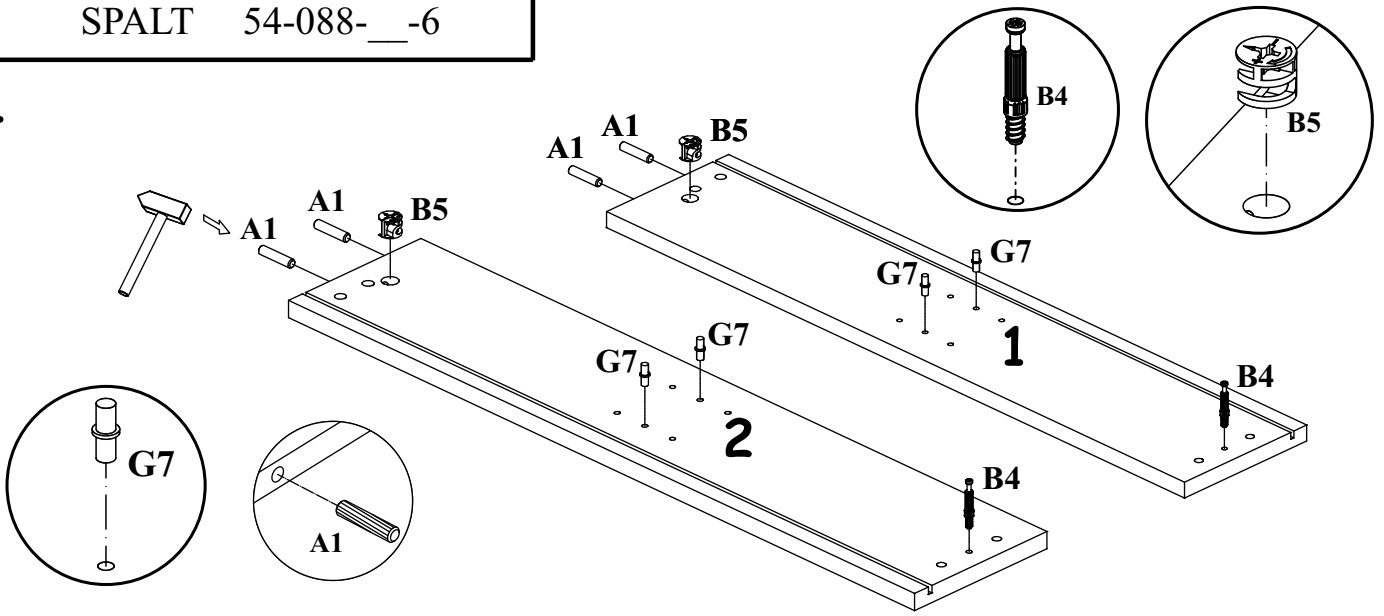


90 min

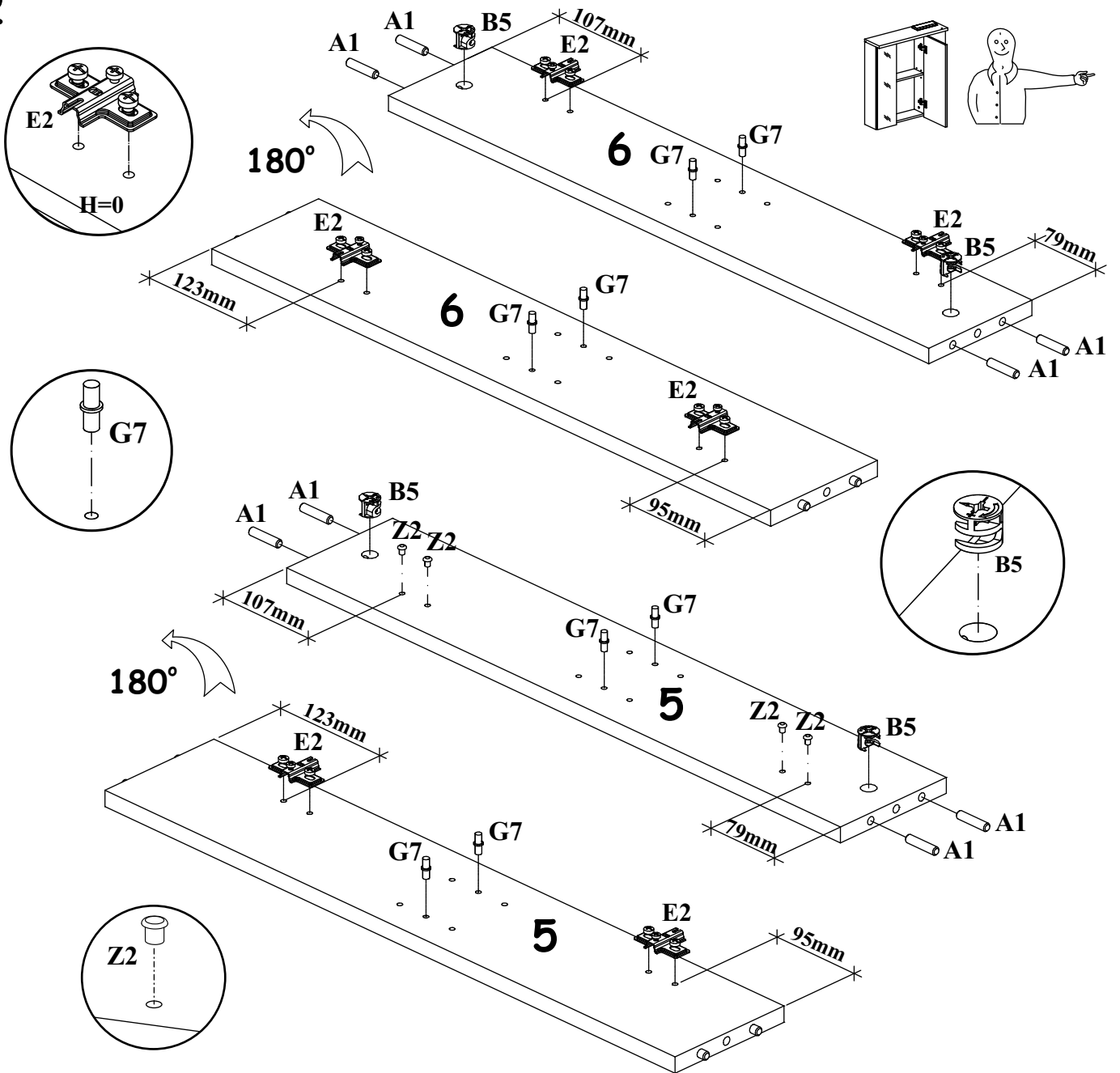
A1 x16 Ø8x36	B4 x8	B5 x8 Ø15x12	G5 x8	D10 x12 USØ3,5x13	G7 x12
G2 x1	Z2 x4 Ø5	S1 x10	G16 x8	UP13 x8 UPØ3x16	LT1 x1 X6 X2
E3 x6 Ø26 H=8	E2 x6 H=0	ZXL x1	ZXP x1	KR2 x2	



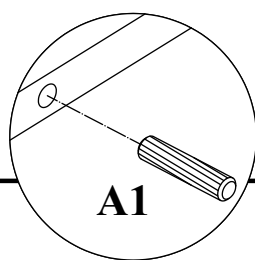
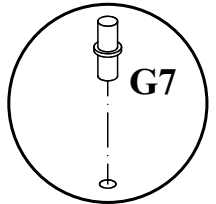
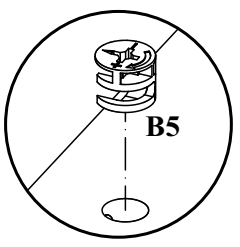
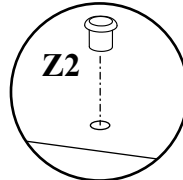
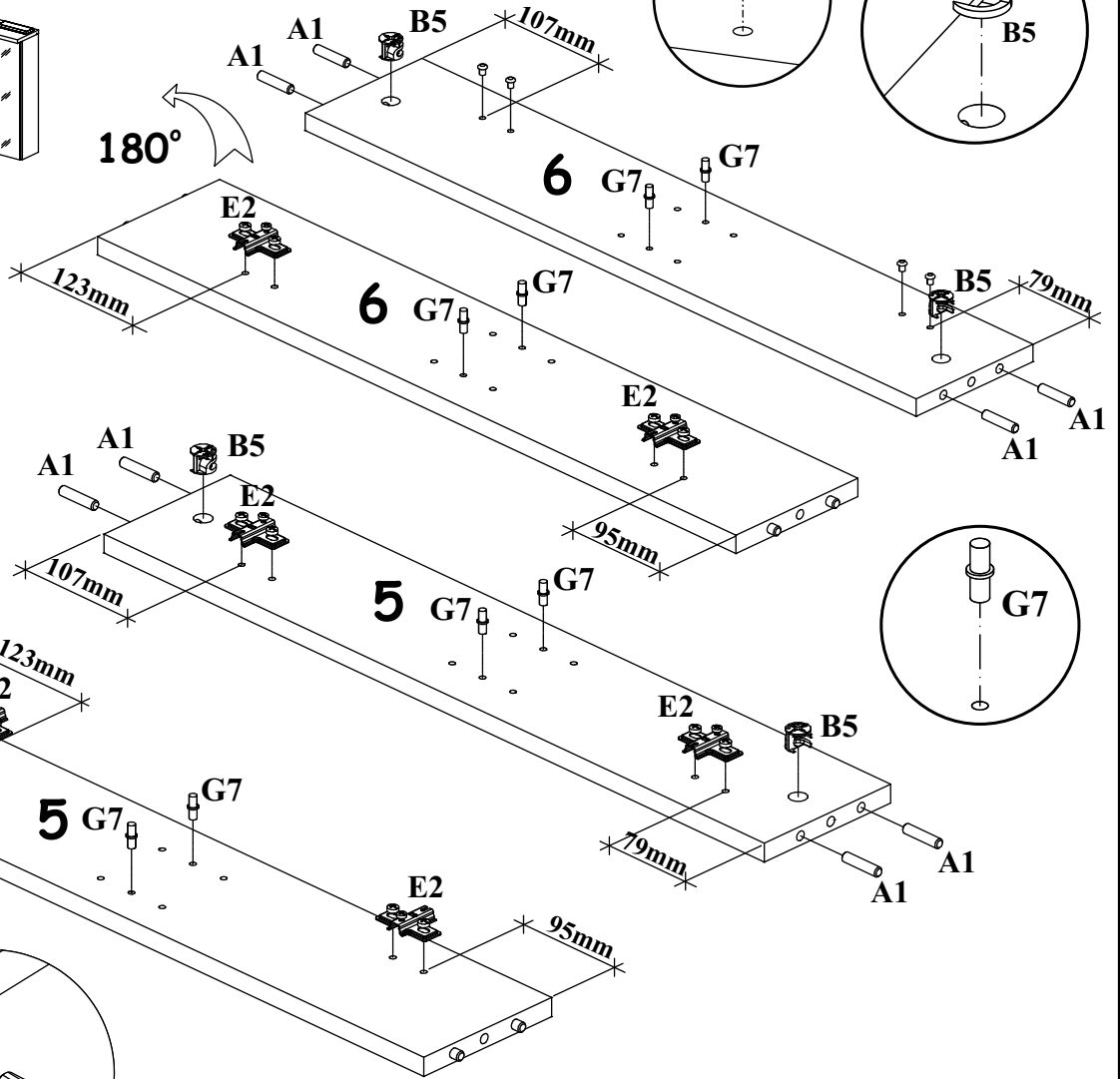
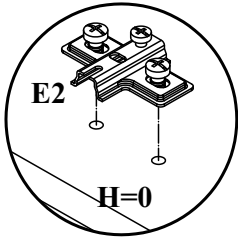
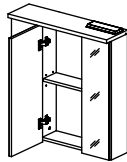
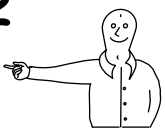
1



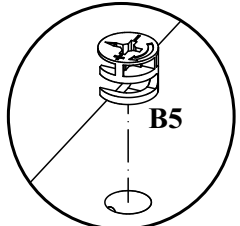
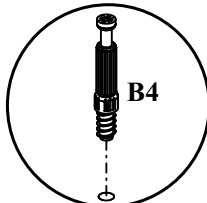
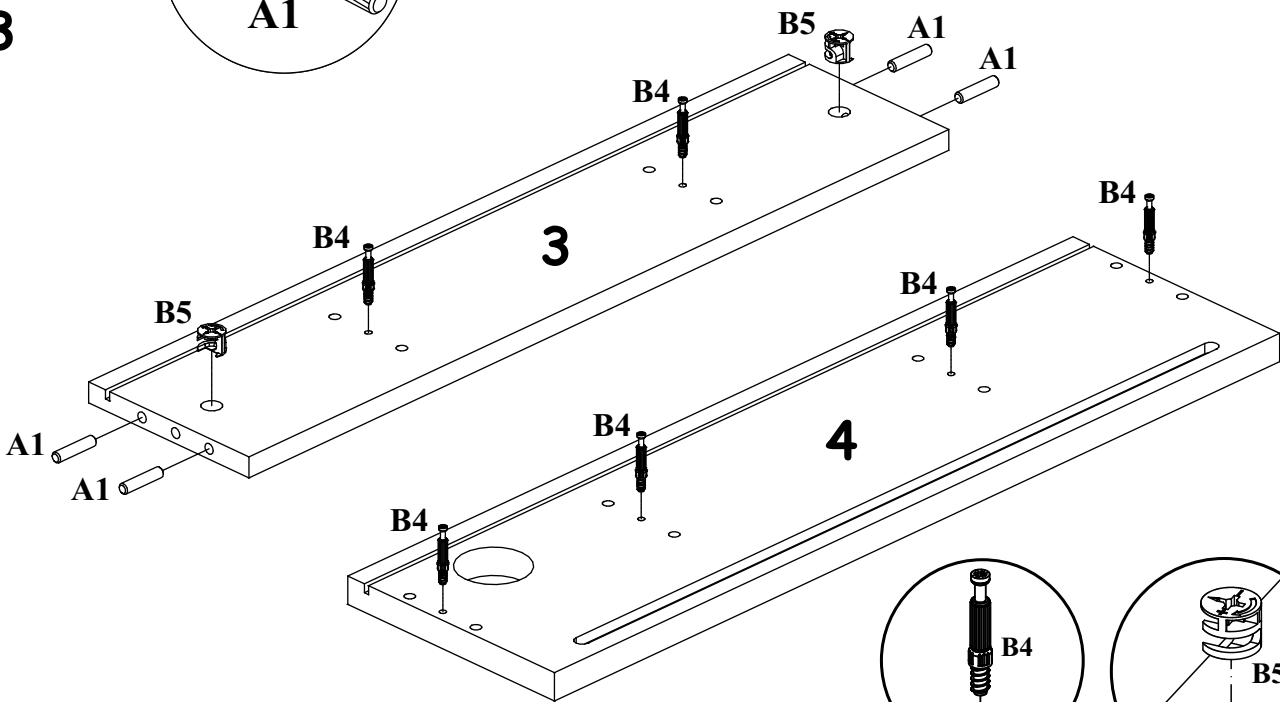
2



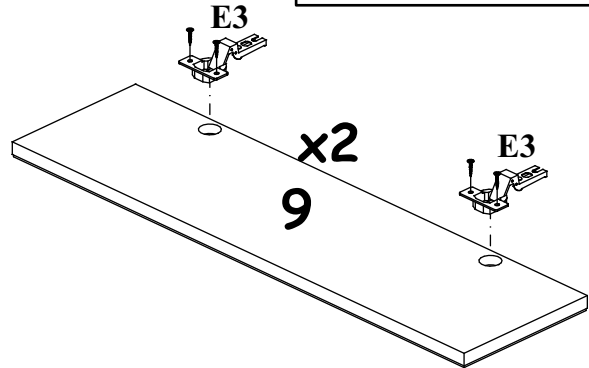
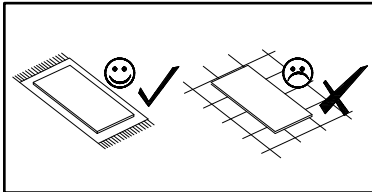
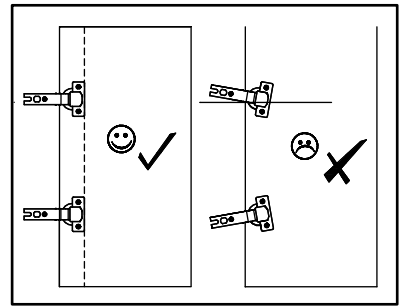
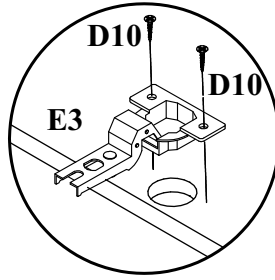
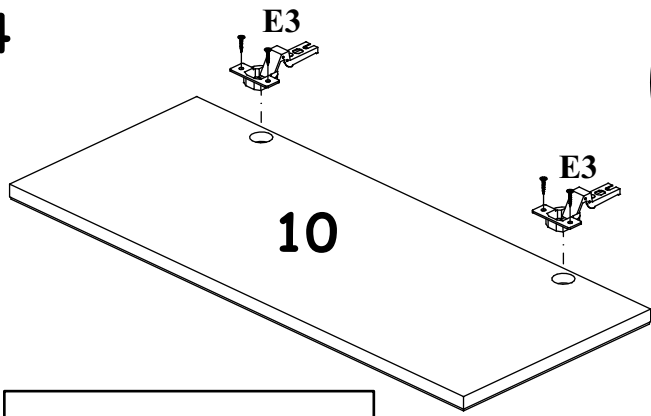
2



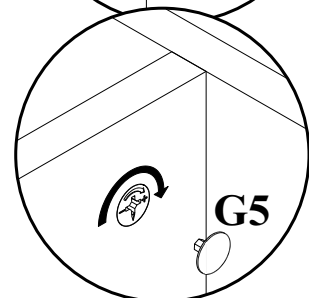
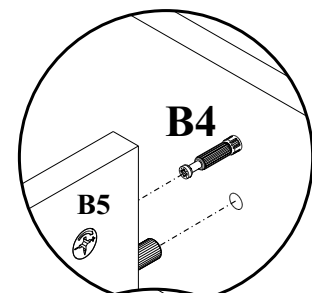
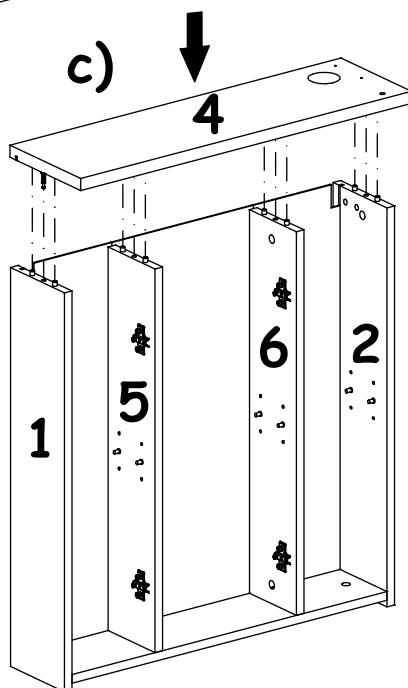
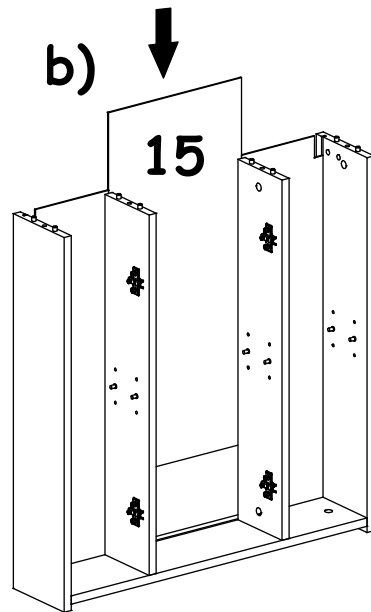
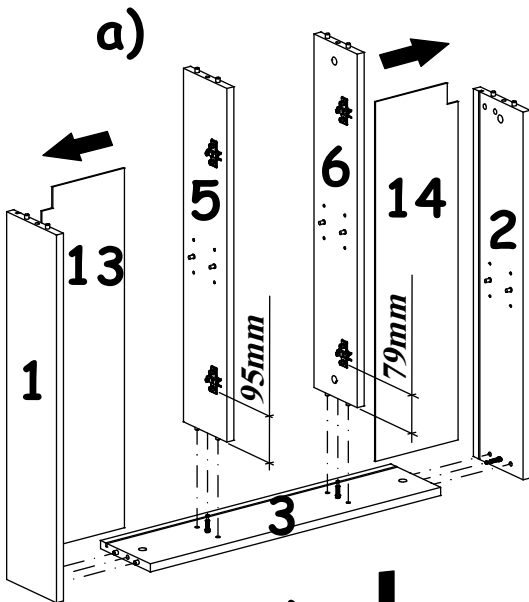
3



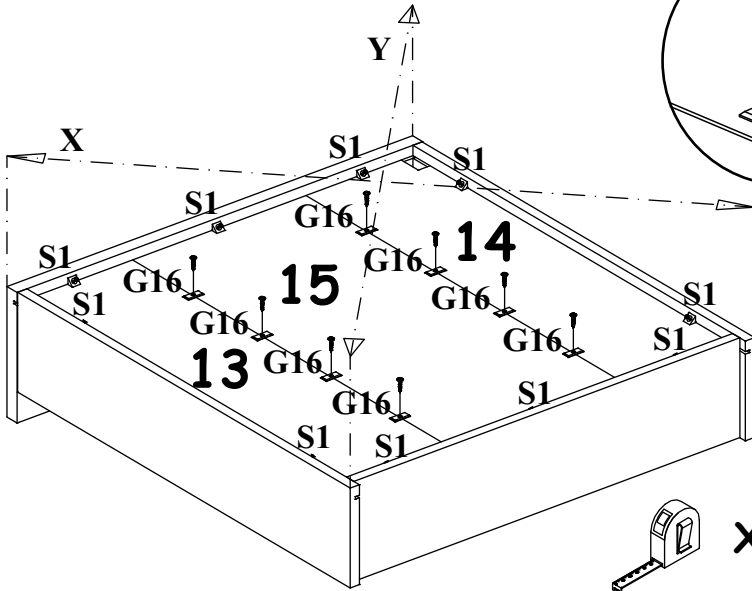
4



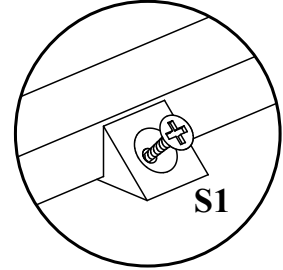
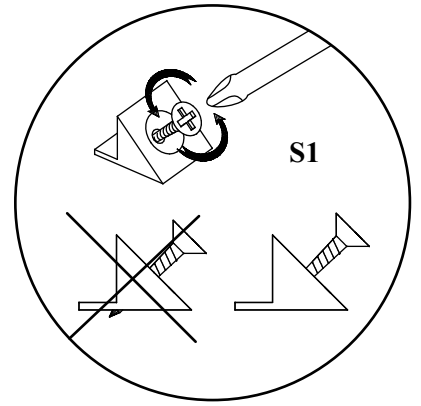
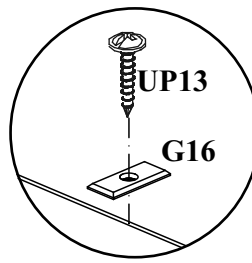
5



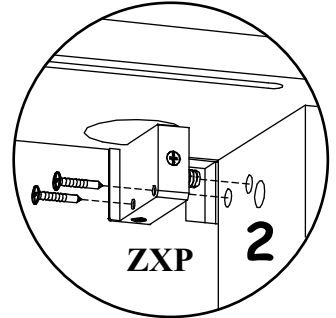
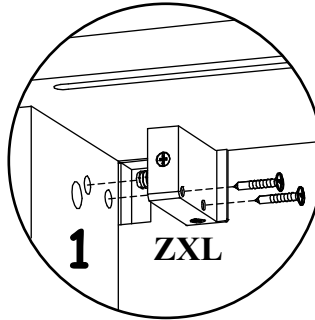
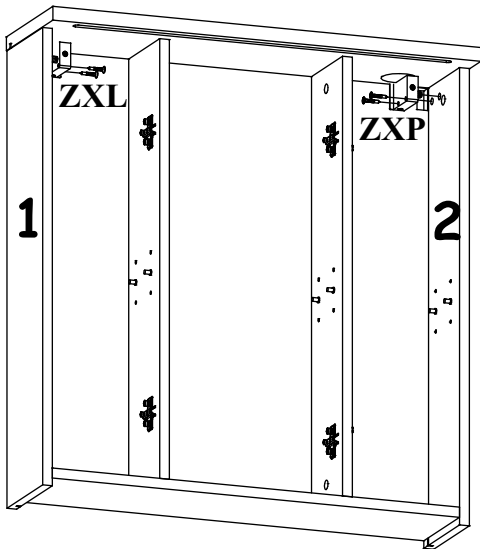
6



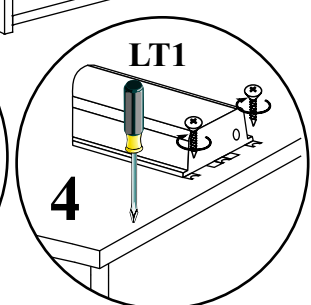
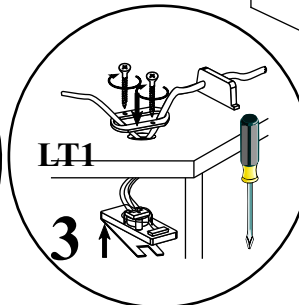
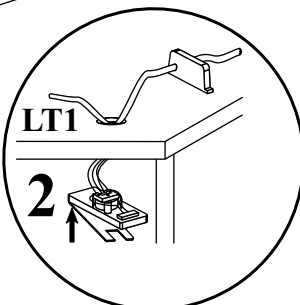
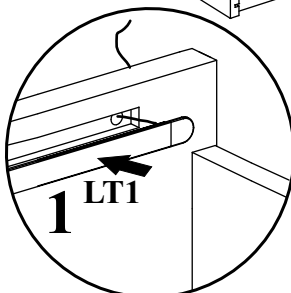
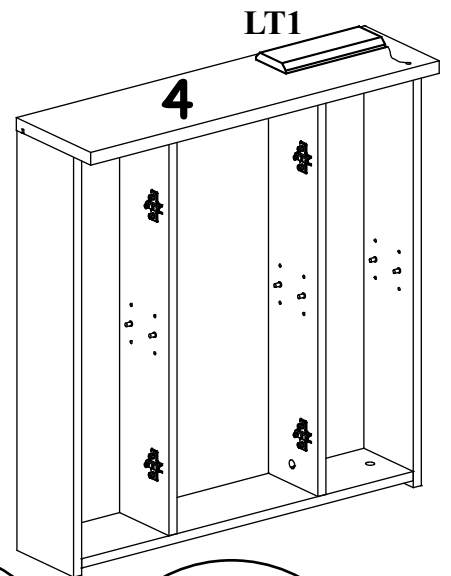
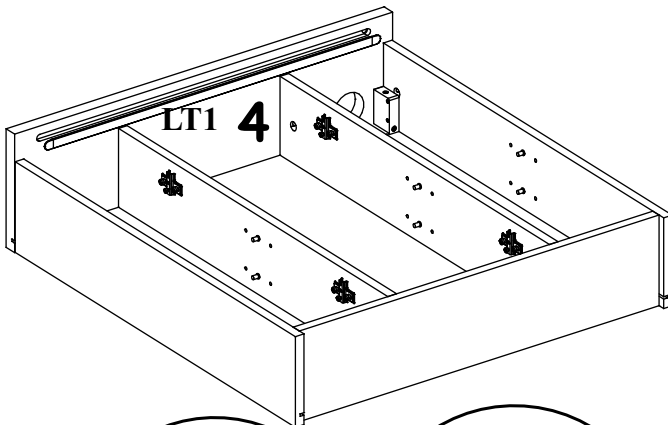
$X=Y$ $\uparrow 90^\circ$



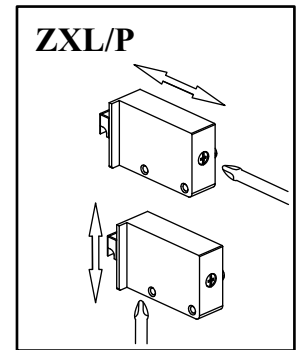
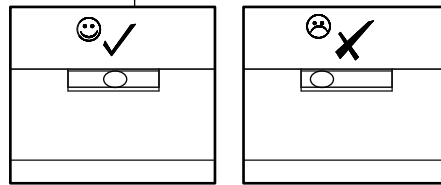
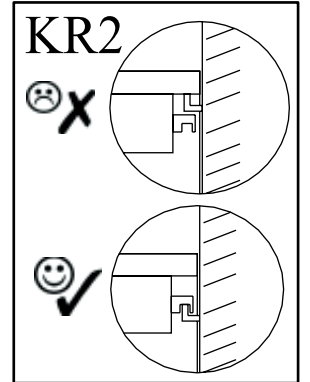
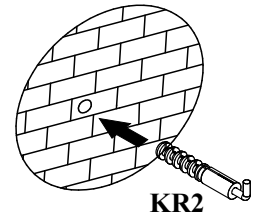
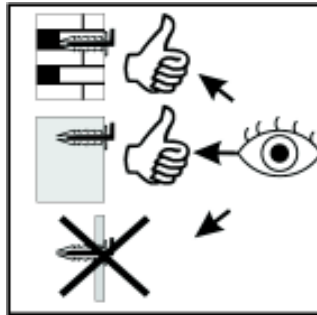
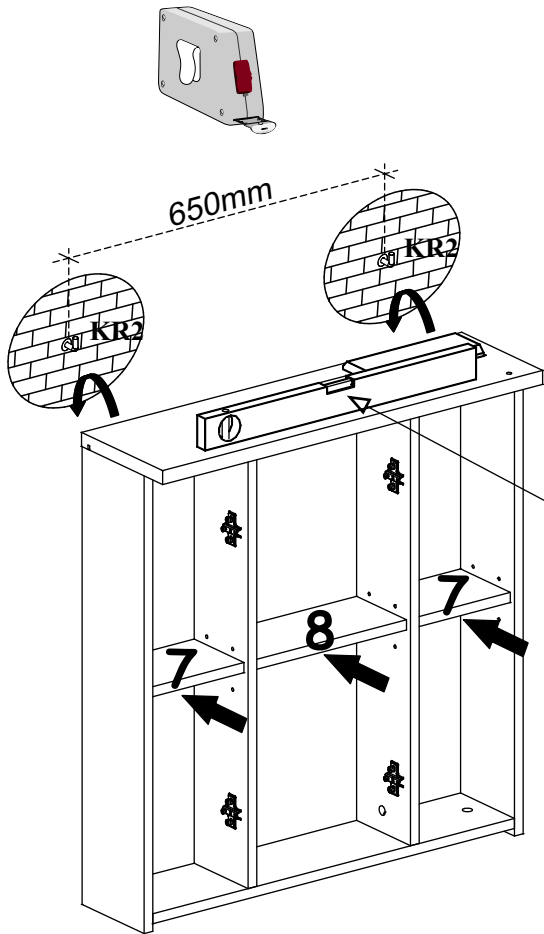
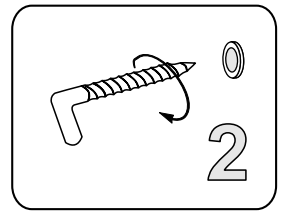
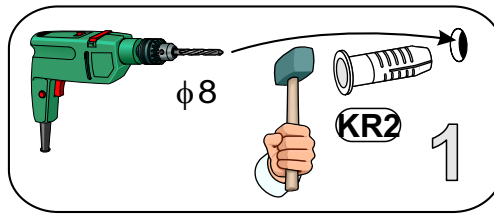
7



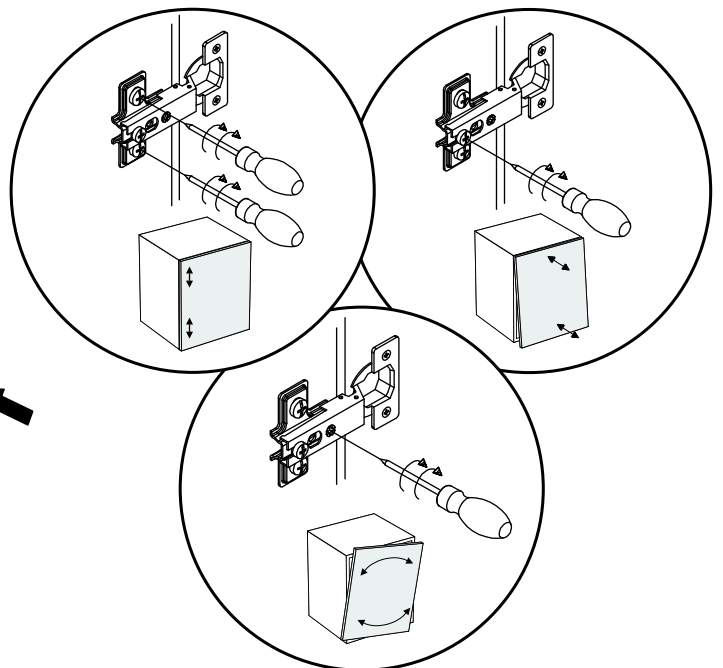
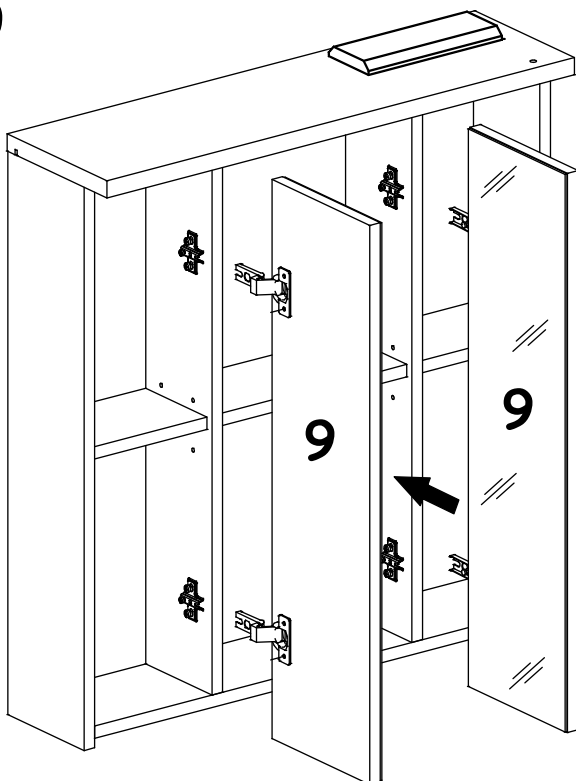
8



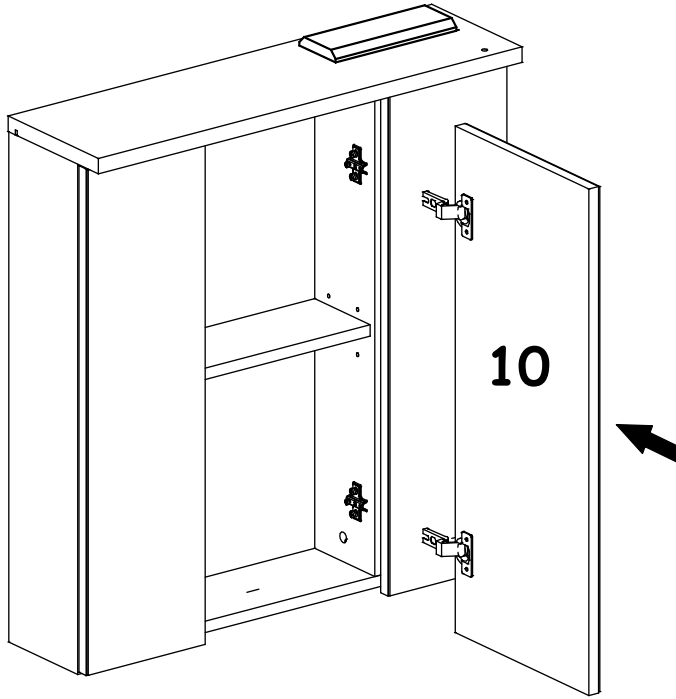
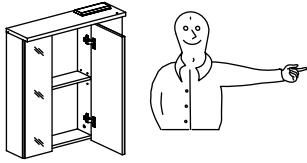
9



10



11



11

