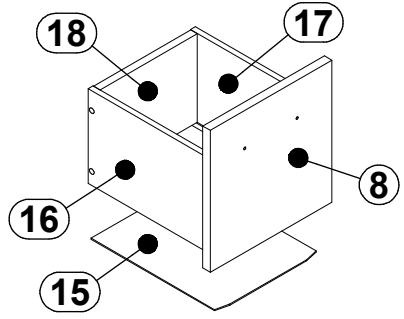
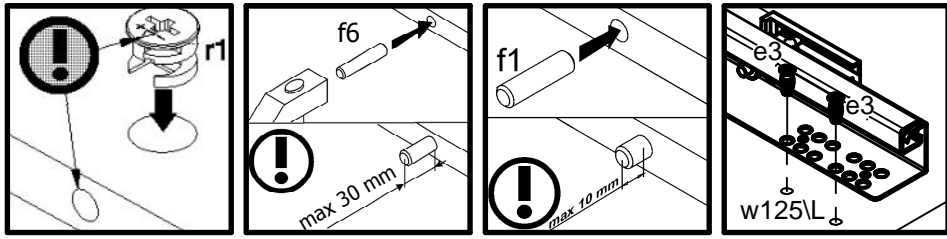


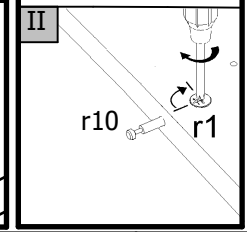
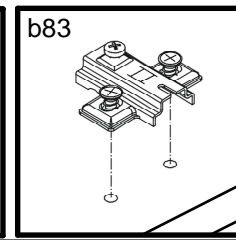
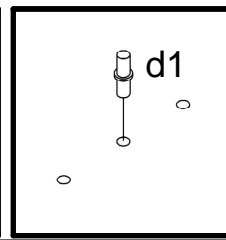
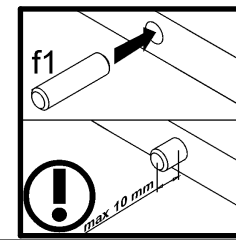
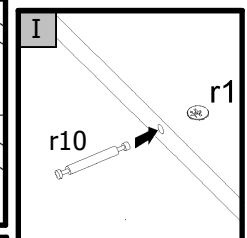
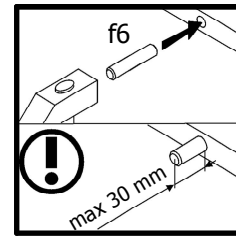
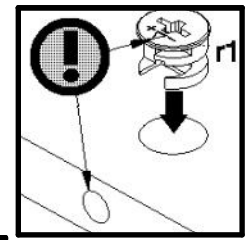
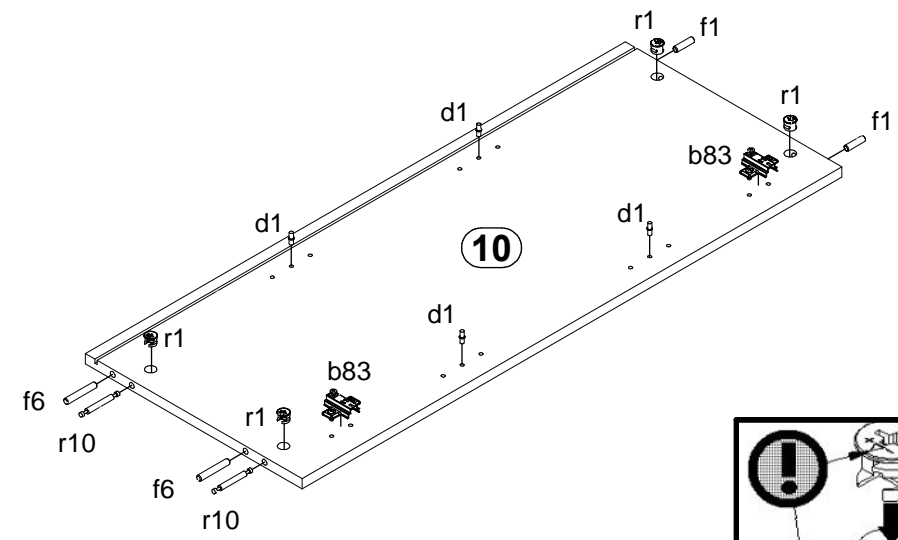
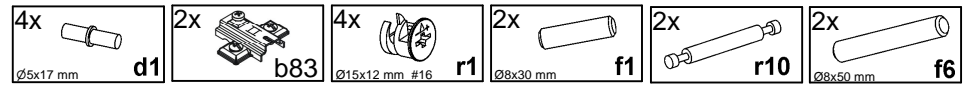
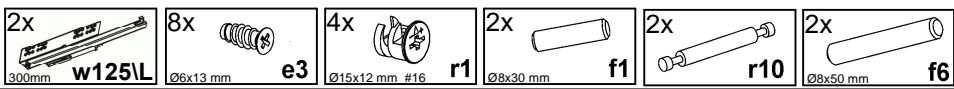
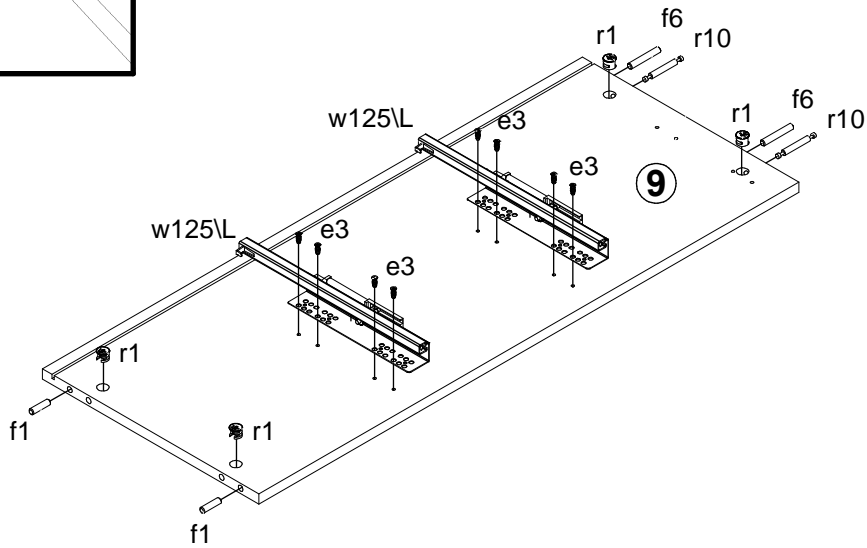
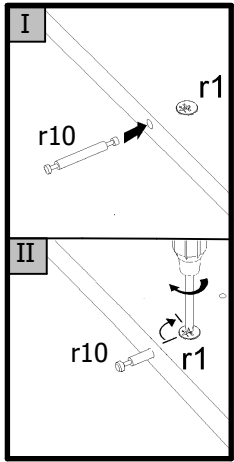
A	B	C (mm)		D
1	M211-3002	584	335	2/2
2	M211-3003	877	345	1/2
3	M211-4001	877	50	1/2
4	M211-5851	915	65,	1/2
5	M211-5852	384,	65,	1/2
6	M211-5853	384,	65,	1/2
7	S268-0001	904	603	2/2
8	S268-0002	299	296	2/2
9	S268-1001	910	365	1/2
10	S268-1002	910	365	1/2
11	S268-1003	933,	345	2/2
12	S268-2001	977	420	1/2
13	S268-9001	951,	597	2/2
14	S268-9002	951,	290,	2/2
15	WSP-9134	908,	358	1/2
16	WSQ7-503	300	200	1/2
17	WSQ7-504	300	200	1/2
18	WTQ-5207	405	147	2/2



1x a133	2x a158	2x b83	4x c406 128 mm	8x d1 Ø5x17 mm	1x d35/1	2x e1 Ø7x50 mm	24x e3 Ø6x13 mm	16x f1 Ø8x30 mm	4x f6 Ø8x50 mm	12x f25 Ø6,5x40 mm	8x j8 M4x25 mm	4x k1
12x l2	6x n108 20x13x3,5/1	4x p25 Ø3,5x16 mm	17x p38 Ø3,5x16 mm	4x p51 Ø3,5x15 mm	12x p55 Ø2,9x16 mm	30x r1 Ø15x12 mm #16	4x r10	12x r15 Ø12x10,5 mm #12	4x r38 39/39	26x r42 20/11	3x w125/L 300mm	3x w125/P 300mm
6x s2 Ø16	1x z1							1x f35 Ø10x50 mm	1x n14/2 86x21x15/1,5	1x p17 Ø5x60 mm	2x p38 Ø3,5x16 mm	



1

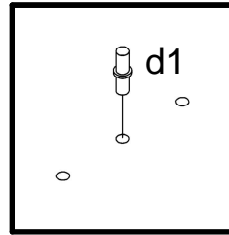
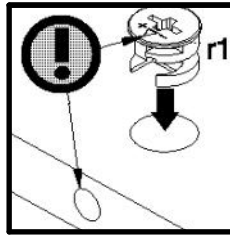
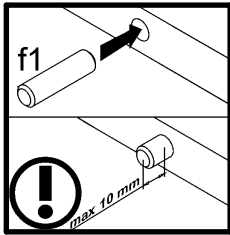
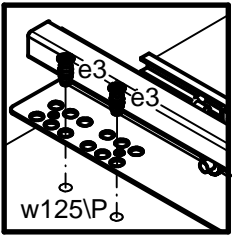


A

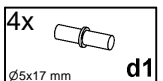
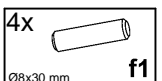
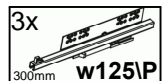
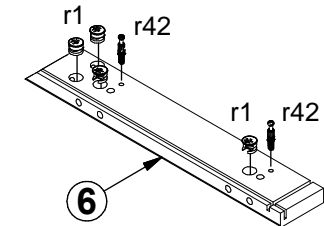
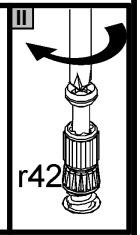
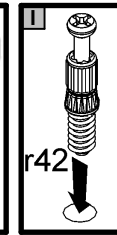
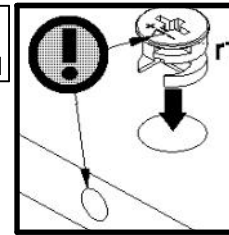
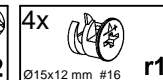
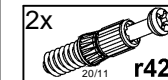
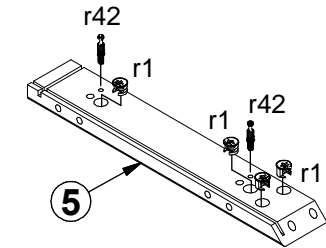
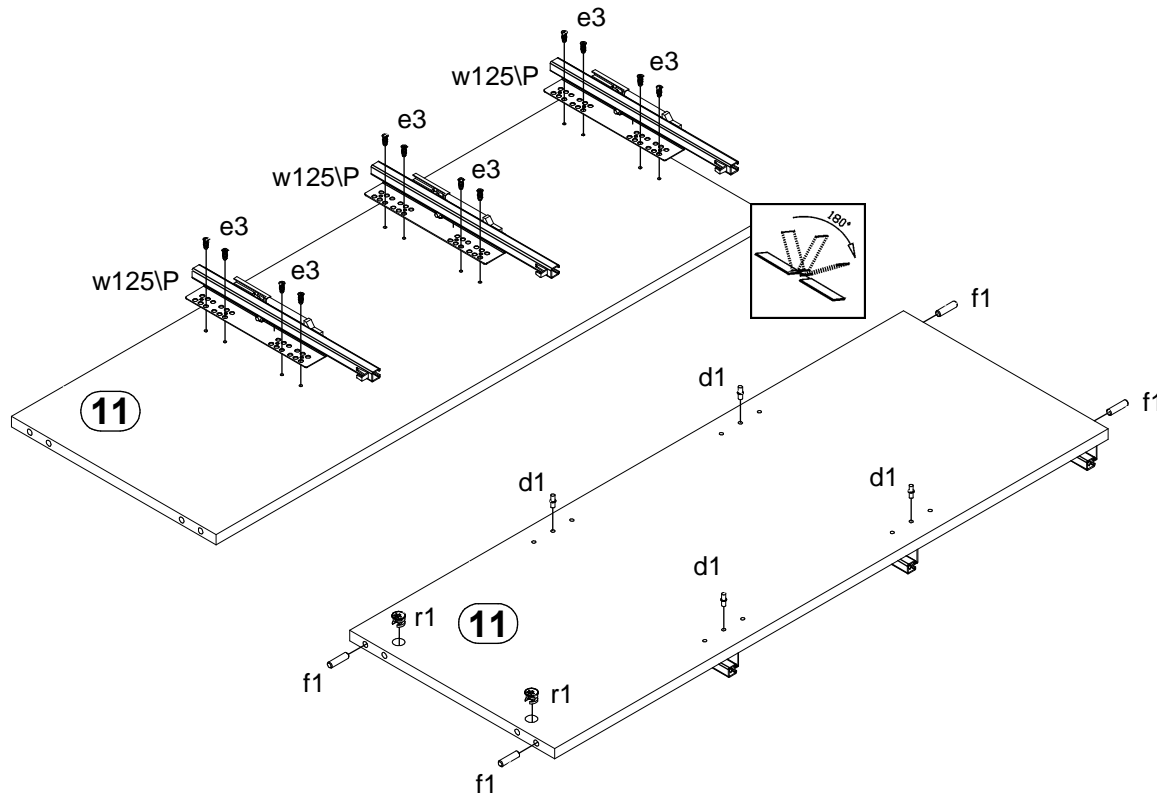
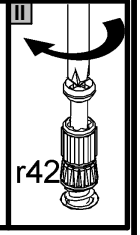
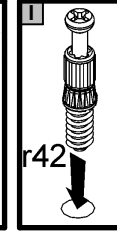
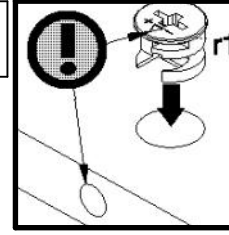
S268-KOM1D3S/10/10

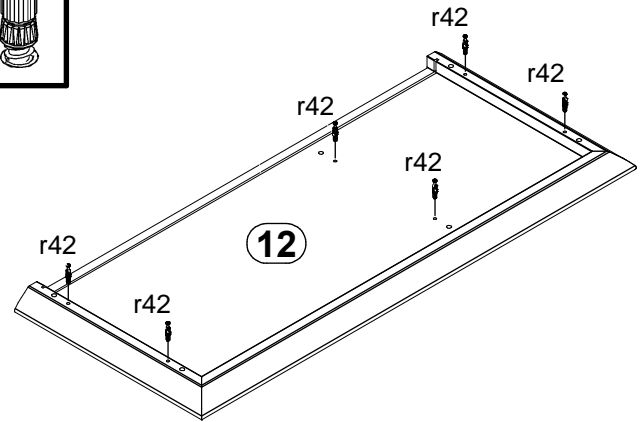
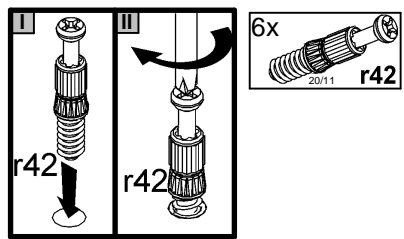
5006--24

4 / 11



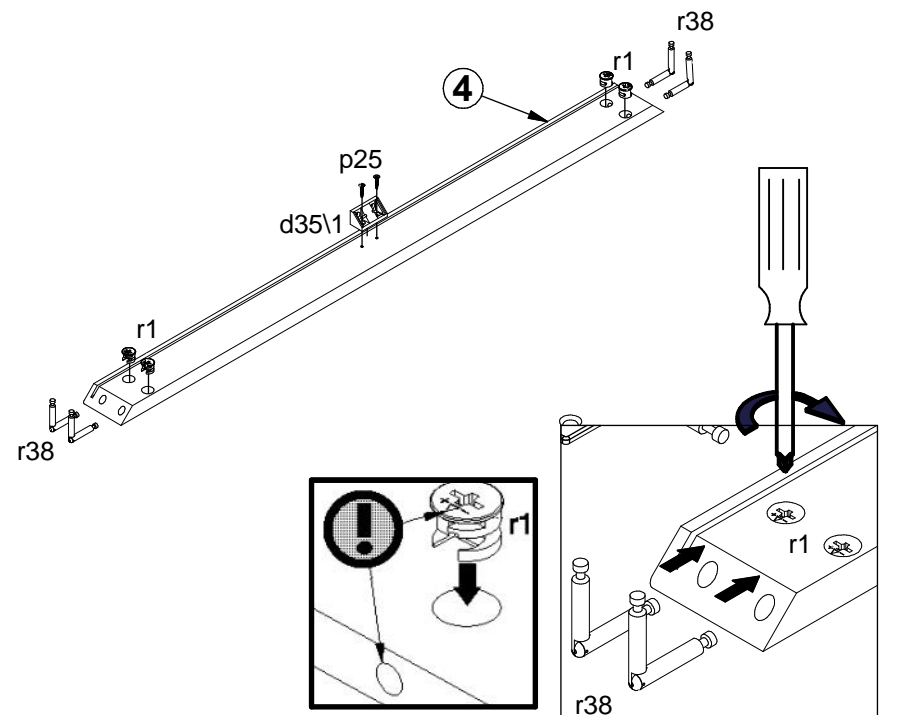
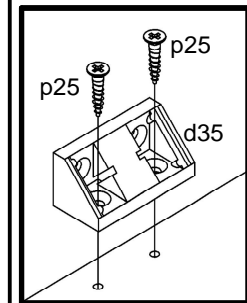
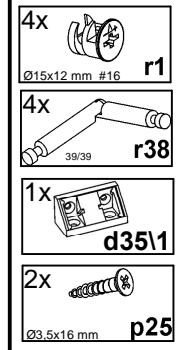
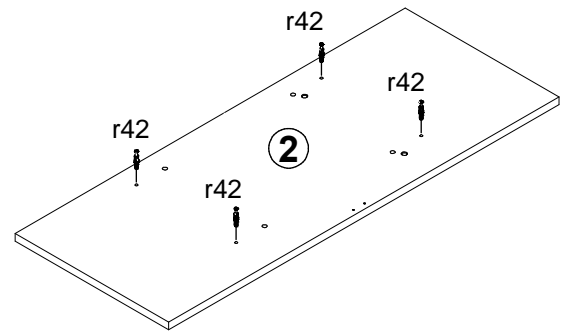
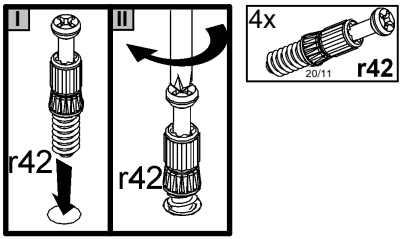
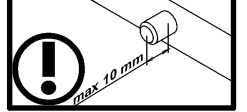
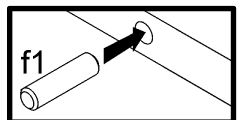
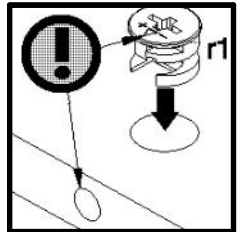
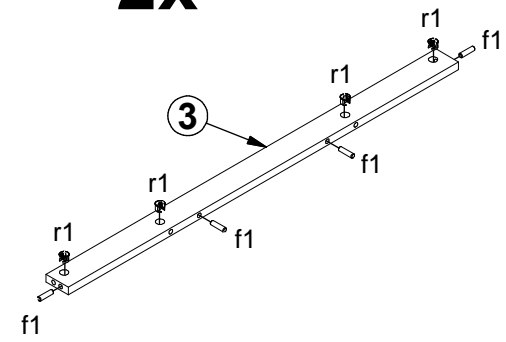
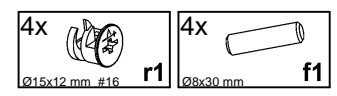
1

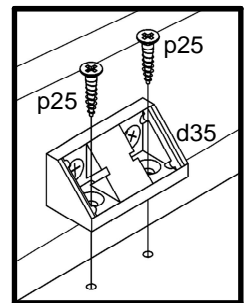
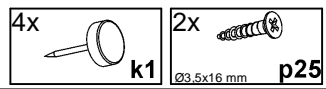
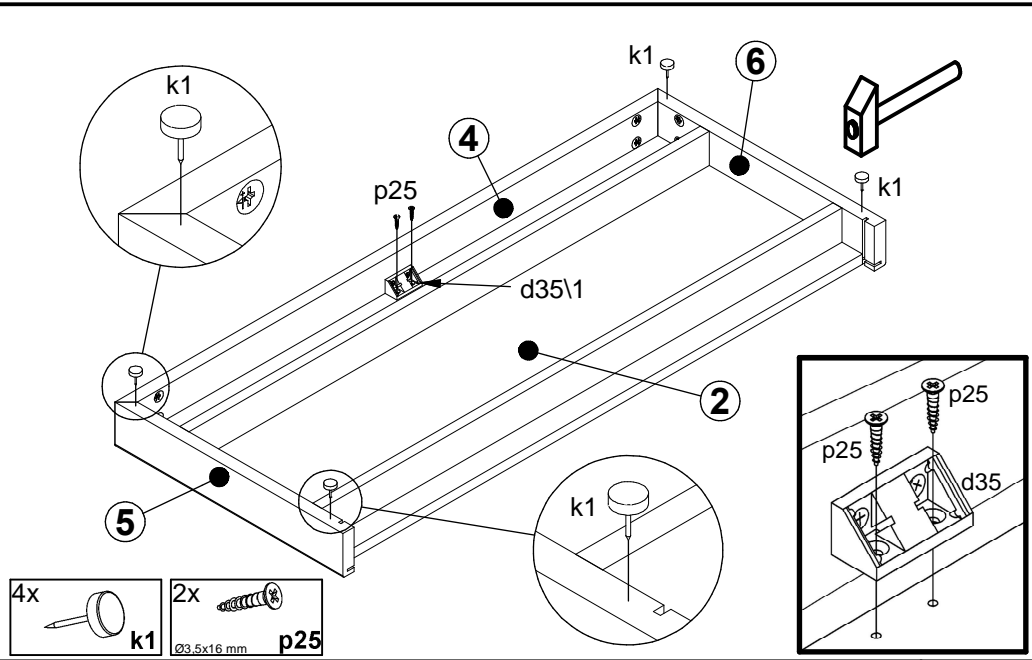
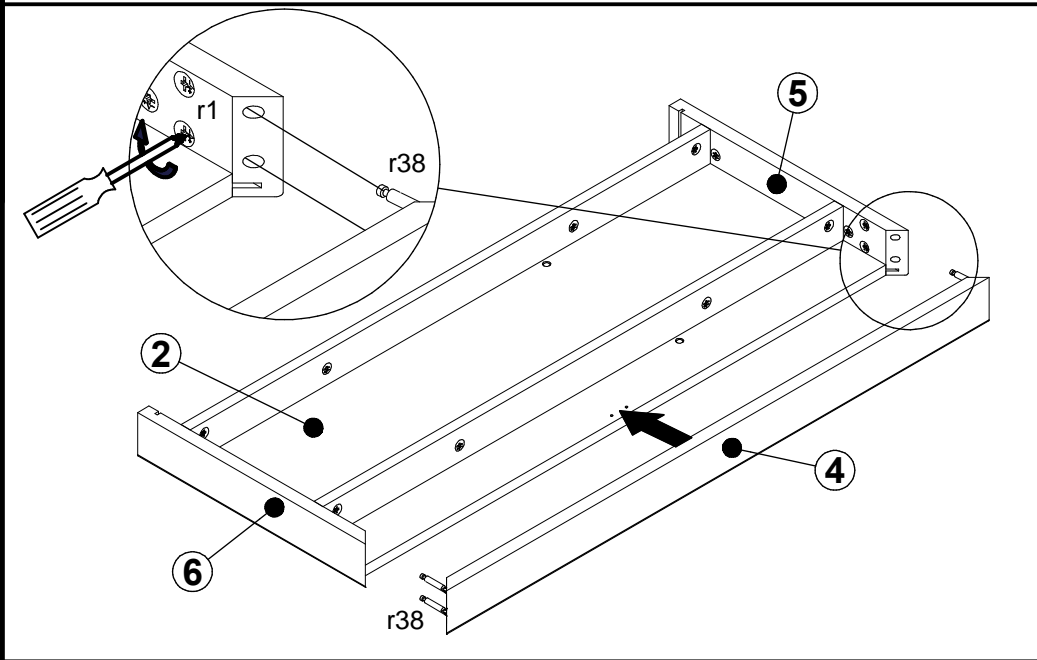
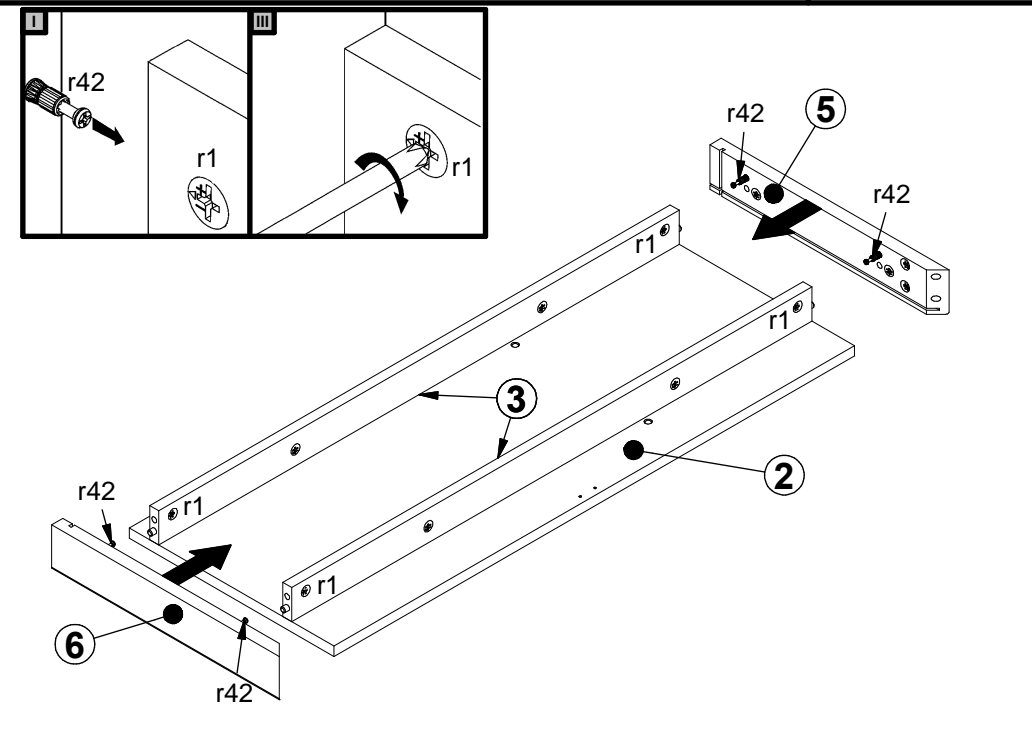
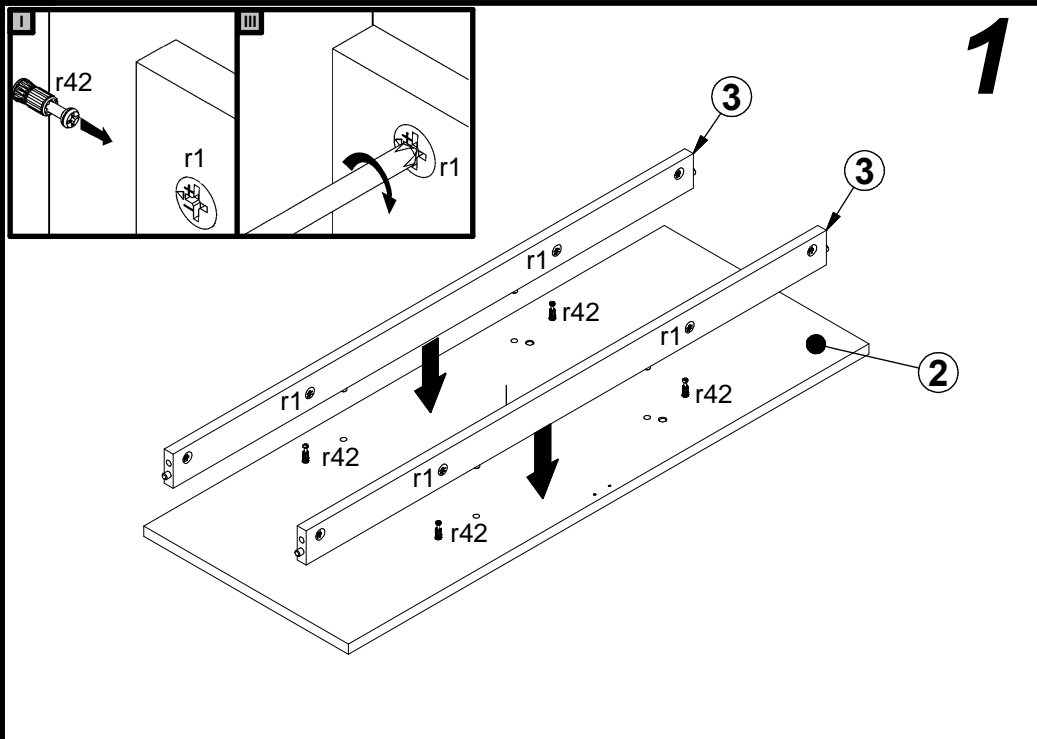


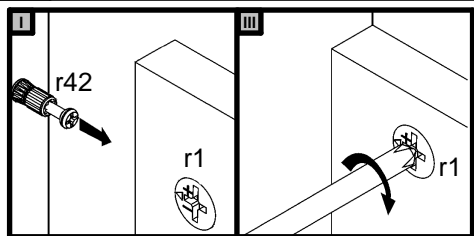


1

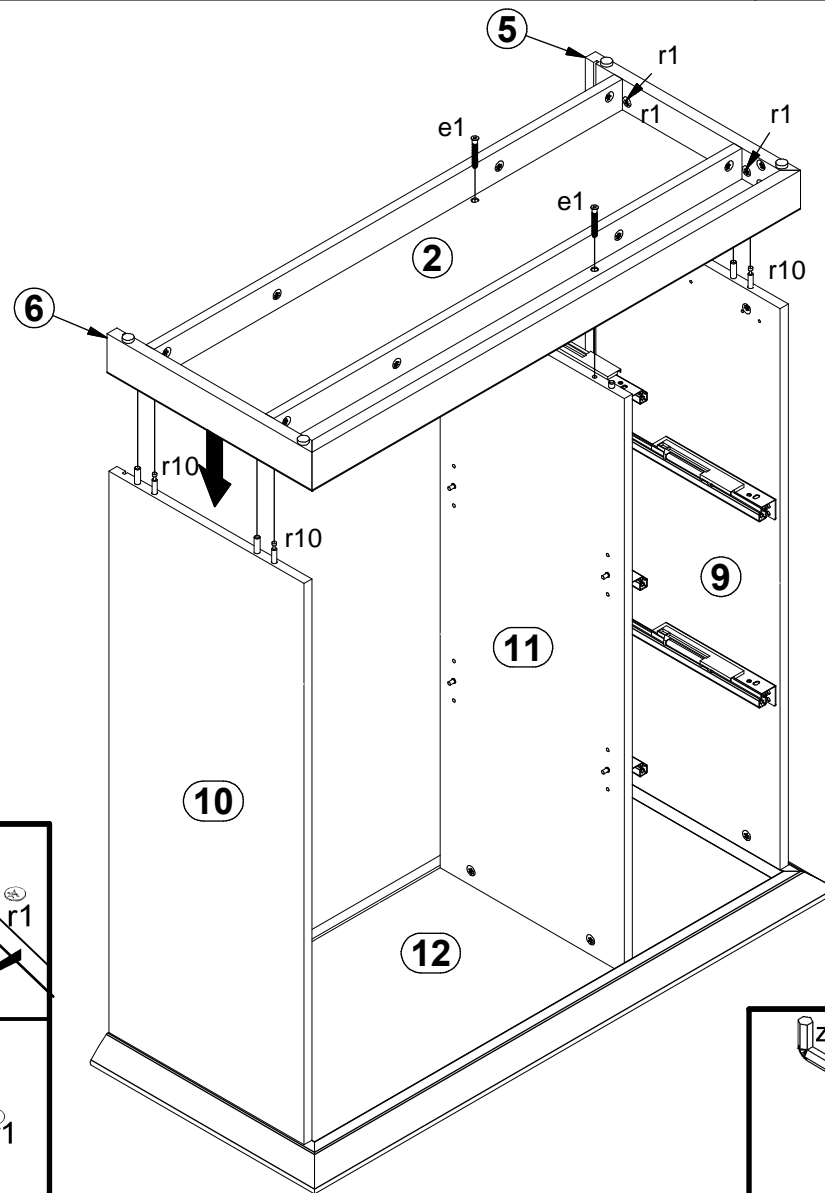
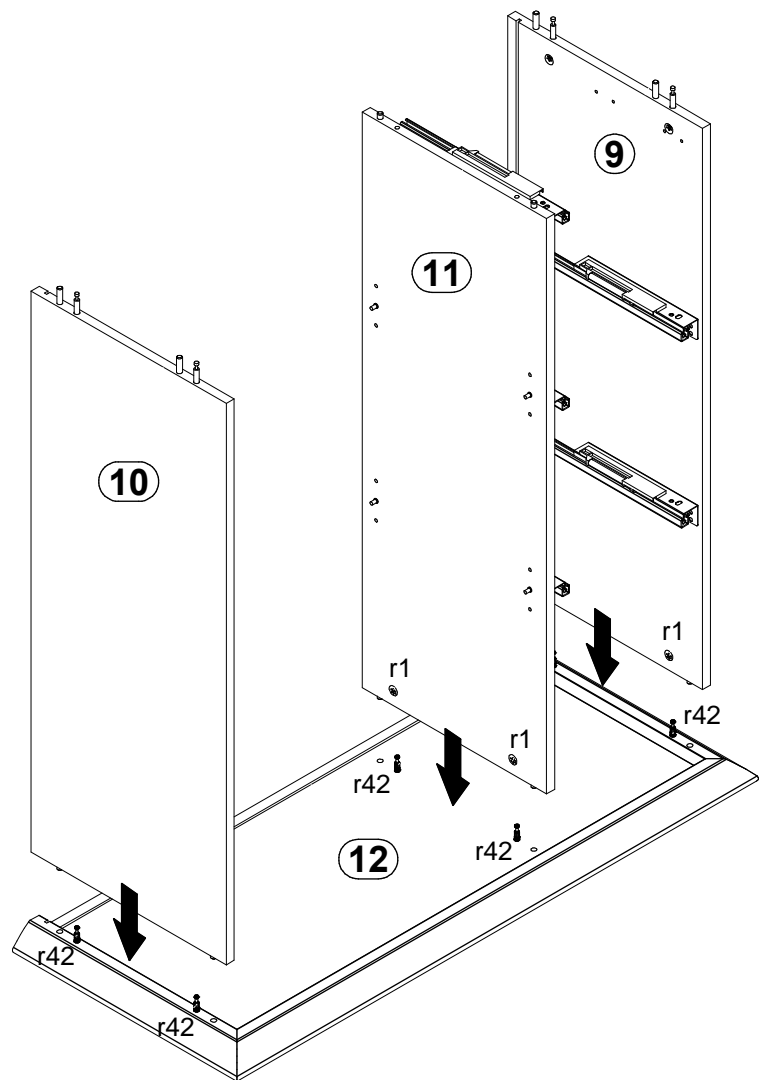
2x



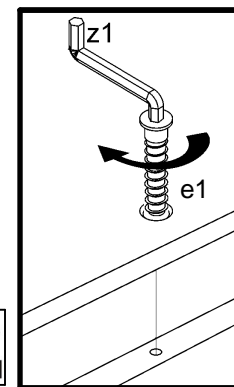
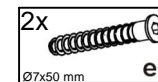
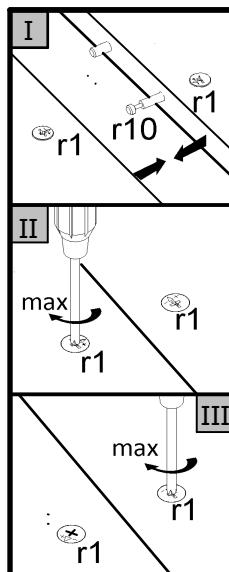




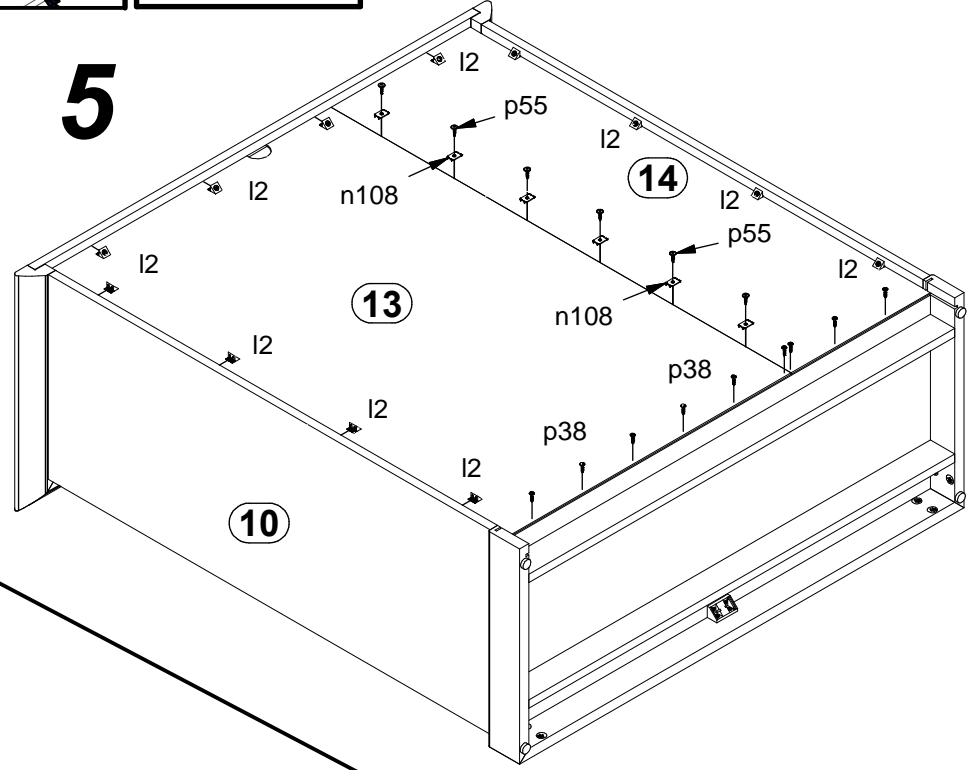
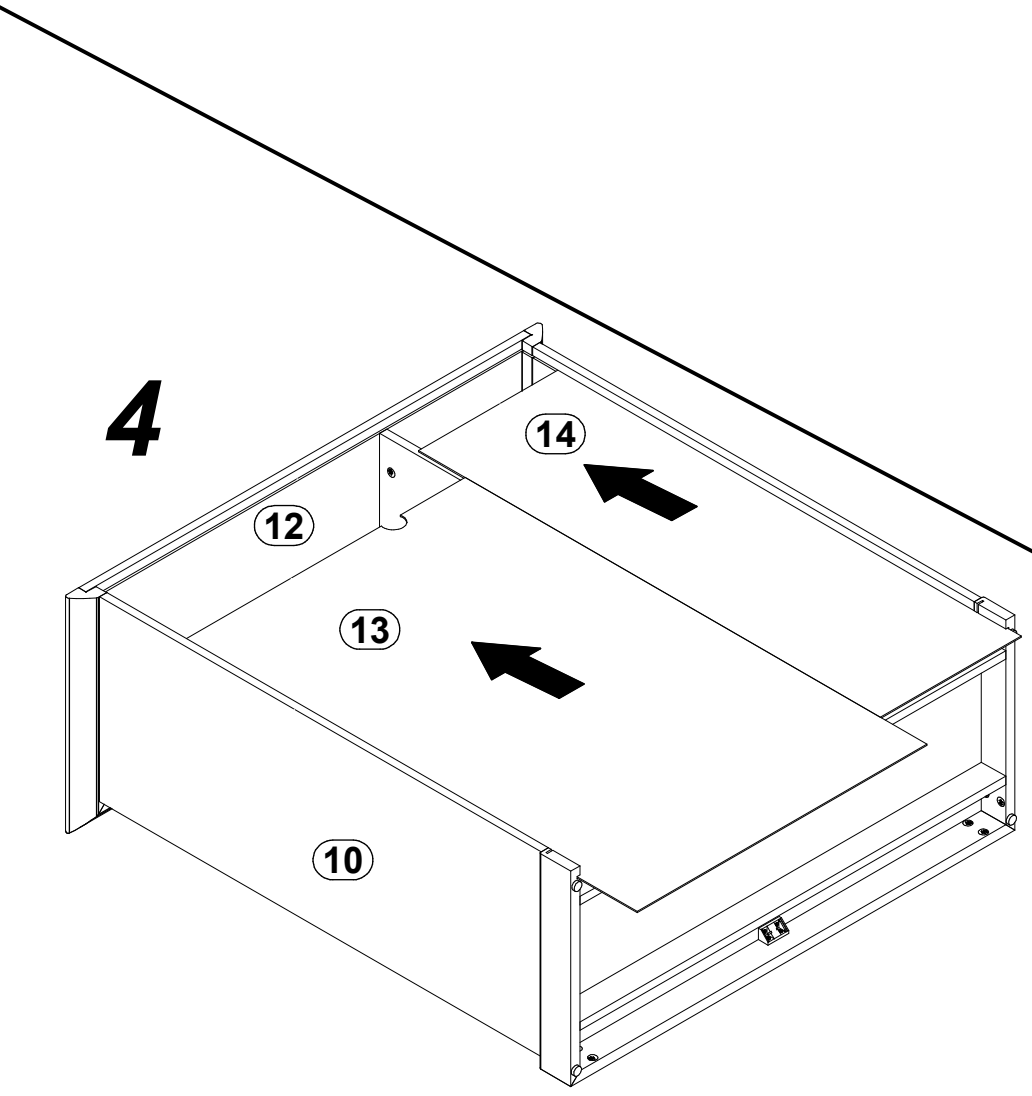
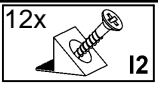
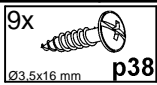
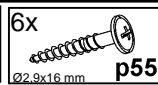
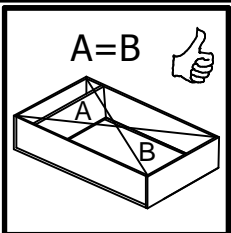
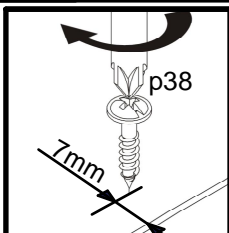
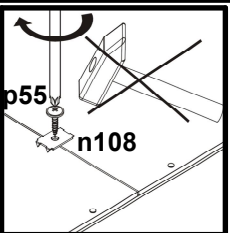
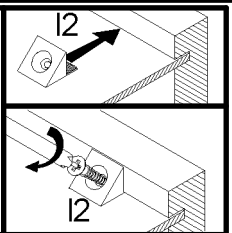
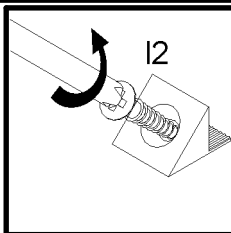
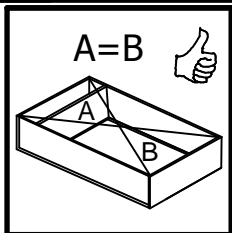
2



3









**I**

4x r42

r42

r42

r42

r42

8

**II**

f25

f25

f25

f25

f25

f25

4x f25  
Ø6,5x40 mm

16

17

18

**6**

4x r15  
Ø12x10,5 mm #12

r15

r15

r15

r42

r42

r42

r42

8

16

17

18

**IV**

8

17

15

16

**V**

8

17

15

16

18

p38

p38

3x p38  
Ø3,5x16 mm

A=B

7mm

**VI**

c406

j8

j8

16

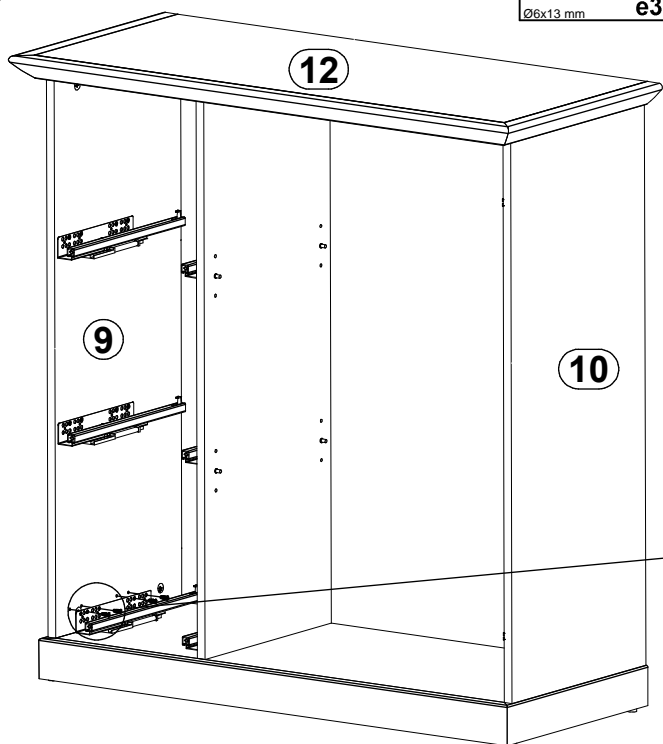
17

18

2x j8  
M4x25 mm

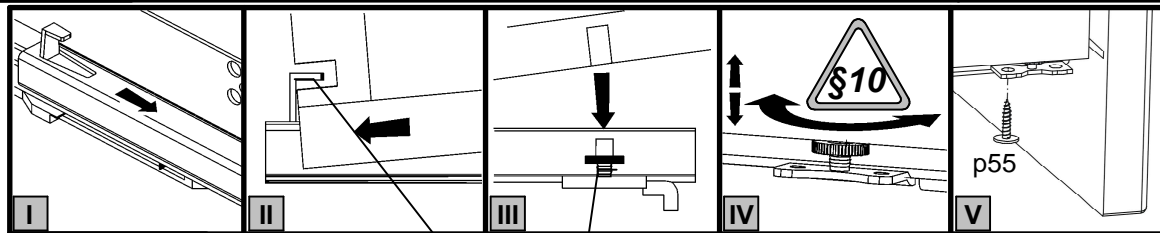
1x c406  
128 mm

7

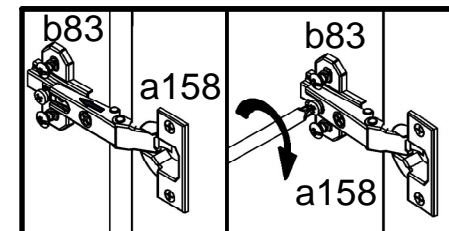
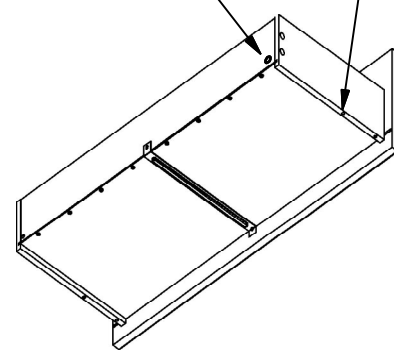


4x e3  
Ø6x13 mm

1x w125\L  
300mm



9

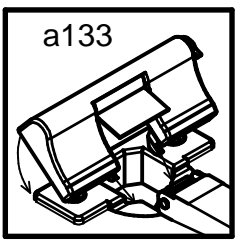
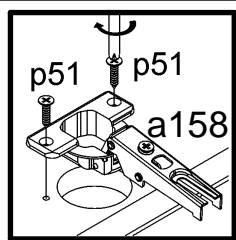
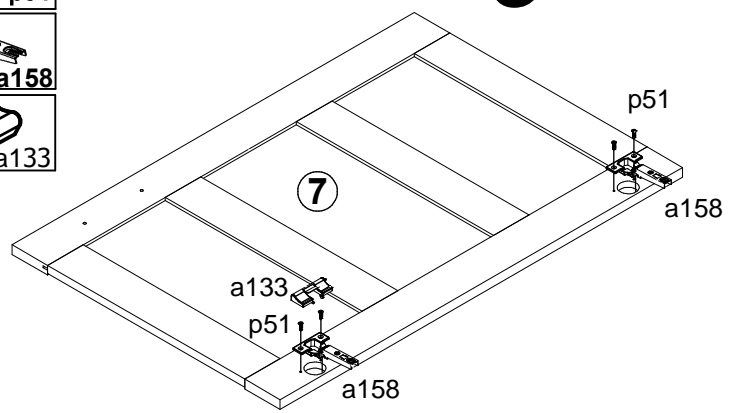


4x p51  
Ø3,5x15 mm

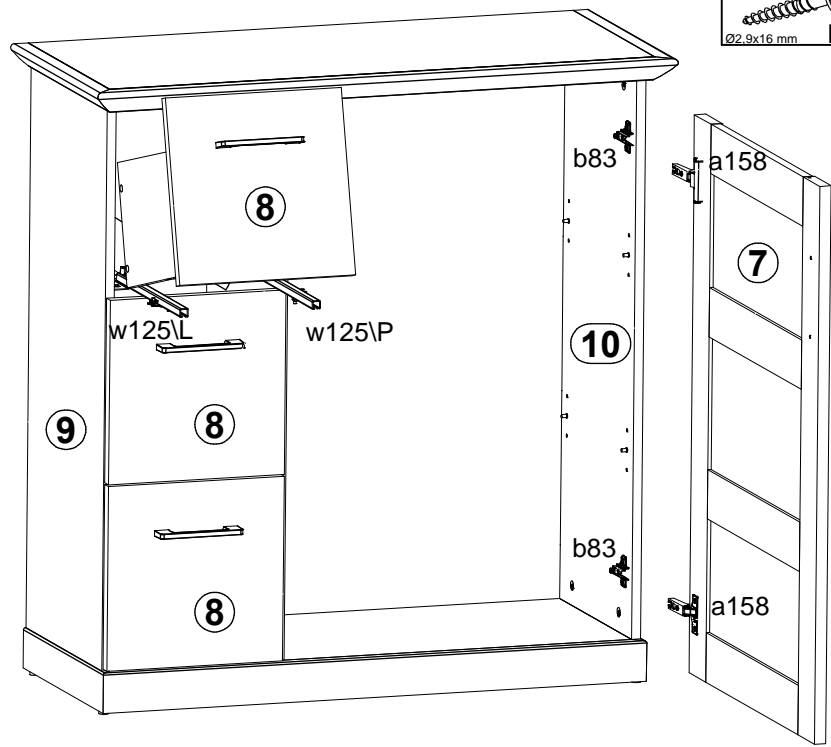
2x a158

1x a133

8



6x p55  
Ø2,9x16 mm



# 10

