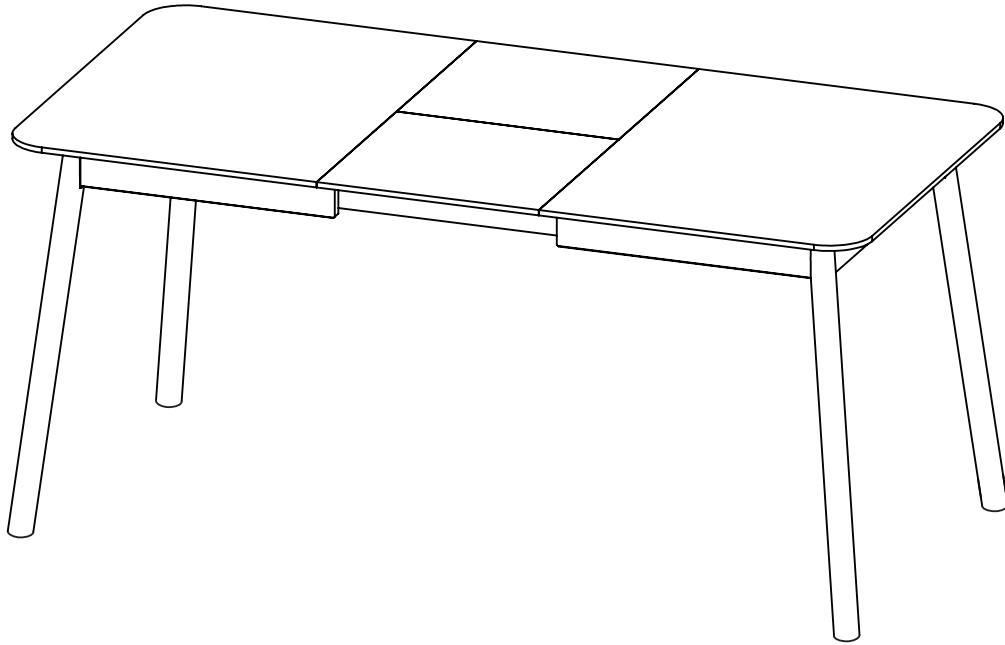
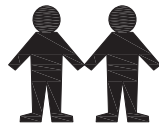

Thank you for purchasing this Table Glimps. Please read the instructions carefully before use to ensure safe and satisfactory operation of this product.



Pre-assembly preparation

Please ensure instructions are read in full before attempting to assemble this product.

Necessary Tools



Please check the pack contents before attempting to assemble this product. A full checklist of components is given in this leaflet. If any components are missing, please contact the retailer from whom you bought this product.

This product is **HEAVY**, it should be assembled as near as possible to the point of use. **TAKE CARE WHEN LIFTING** to avoid personal injury and (or) damage to the product.

This product takes approximately **30 MINUTES** to assemble with **2 PEOPLE**.

The fittings pack contains **SMALL ITEMS** which should be **KEPT AWAY FROM YOUNG CHILDREN**.

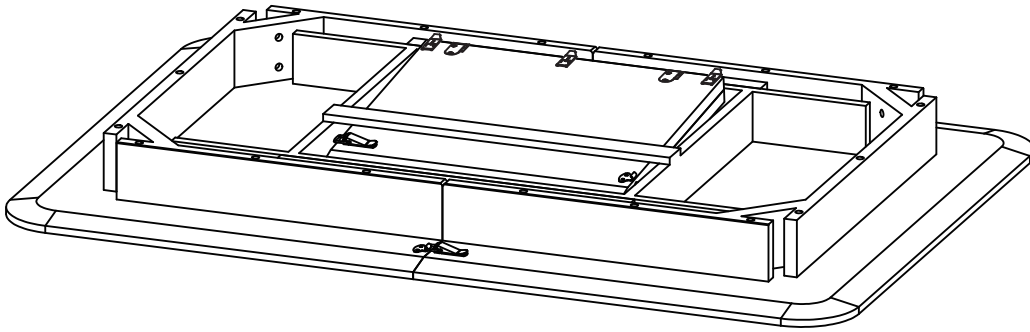
Read this leaflet in full before commencing assembly.

PLEASE KEEP THESE INSTRUCTIONS FOR FUTURE REFERENCE

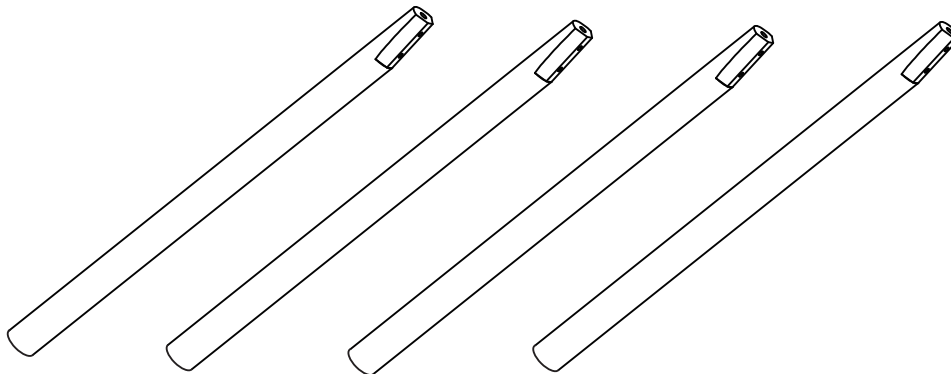
Parts checklist

Please do not discard any packaging until you are sure that you have all the parts.

A: Top frame x1

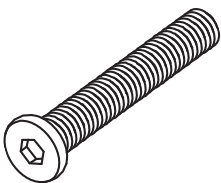


B: Leg x 4



Fitting checklist

① screw x 8



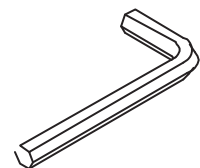
② Spring washer x 8



③ Washer x 8



④ Allen key x 1



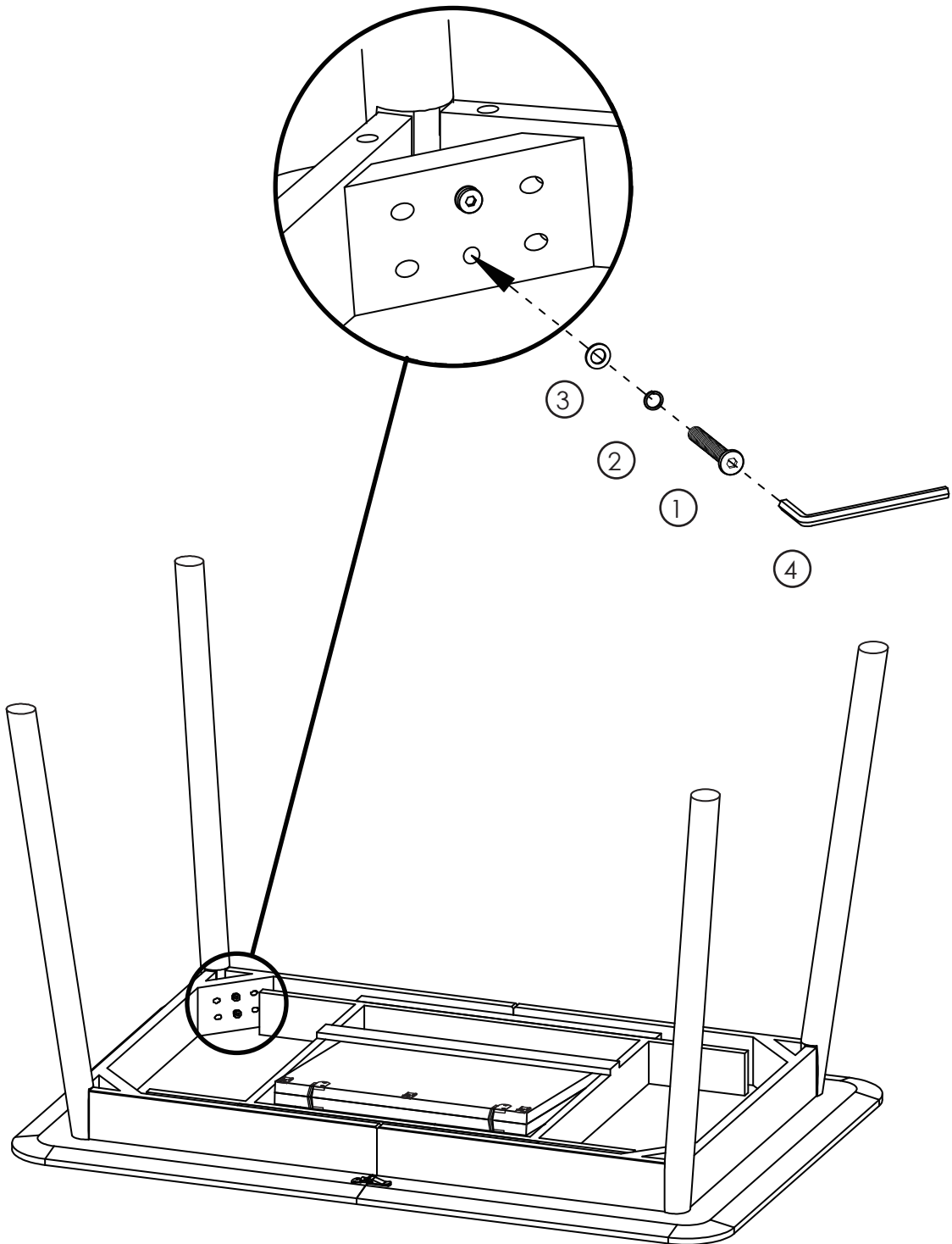
Step by step assembly instructions

STEP 1

With 2 people carefully place the table top (Part A) face down on a soft surface.

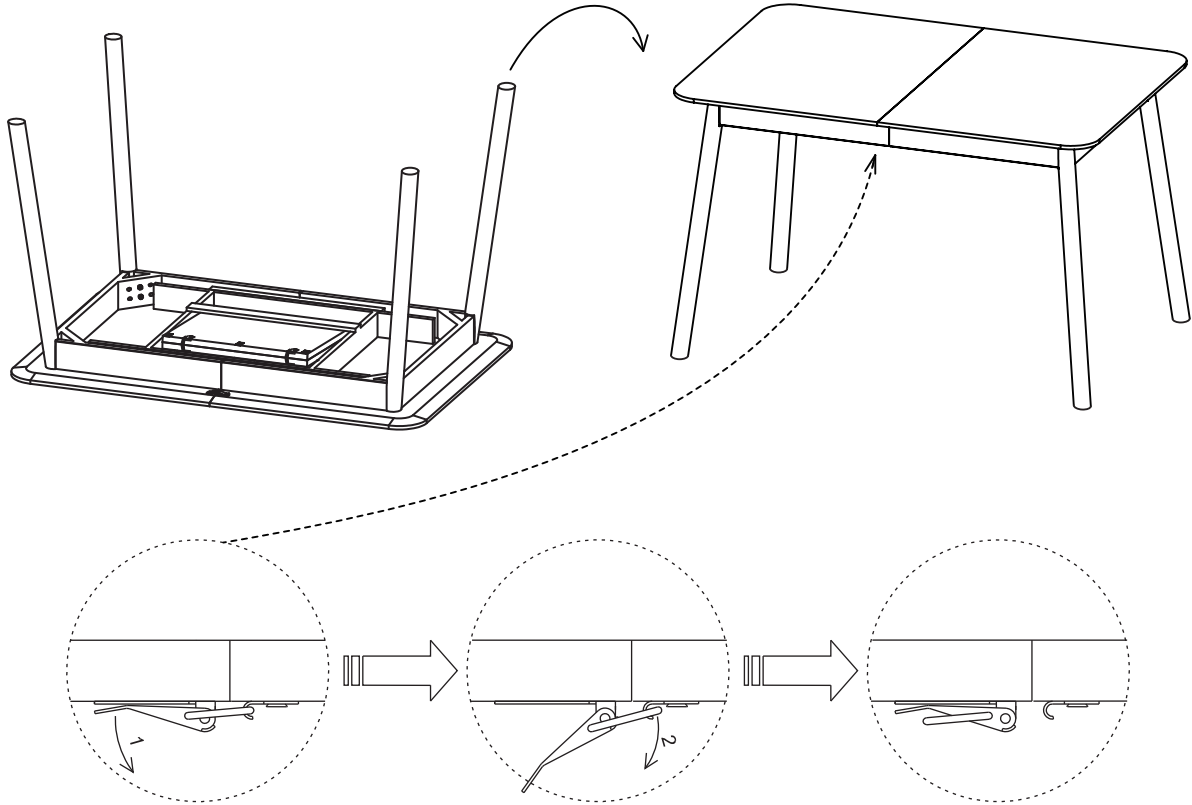
Locate position the legs as shown below (Part B)

Use the allen key (4) to insert 2 x spring washers (2) and 2 x metal washer (3) with 2 x screws (1) to secure each leg. Ensure all screws are fully tightened.

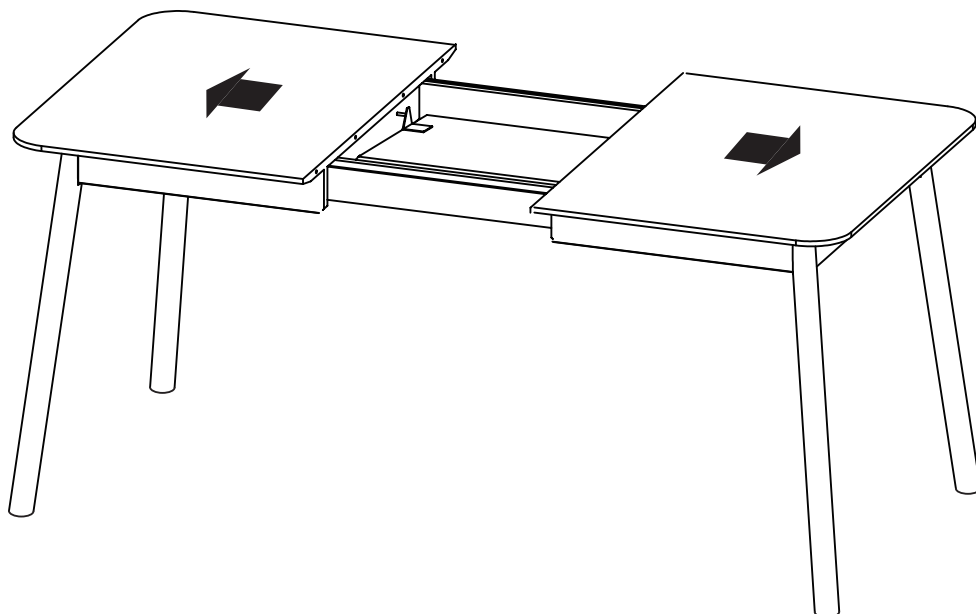


How to extend

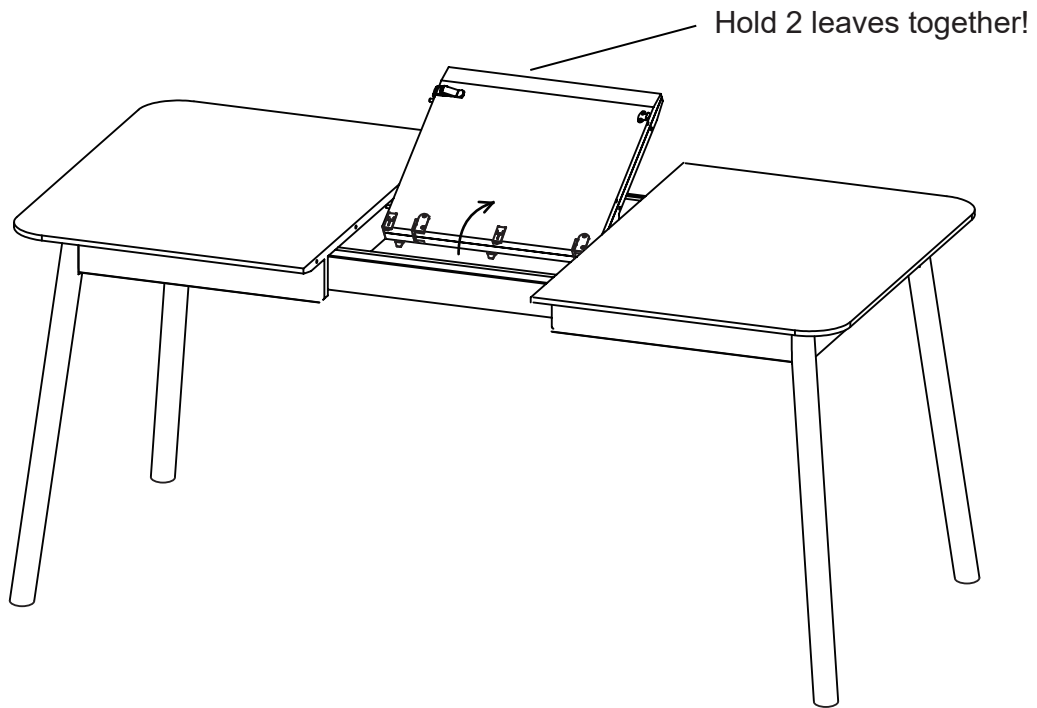
Step 1 With 2 people carefully turn the table over and place on its feet. Do not drag the table! Whenever moving or extending the table always lift to prevent damage to the legs. Locate and release the 2x securing clips on the underside of the table top, as shown in the detail below.



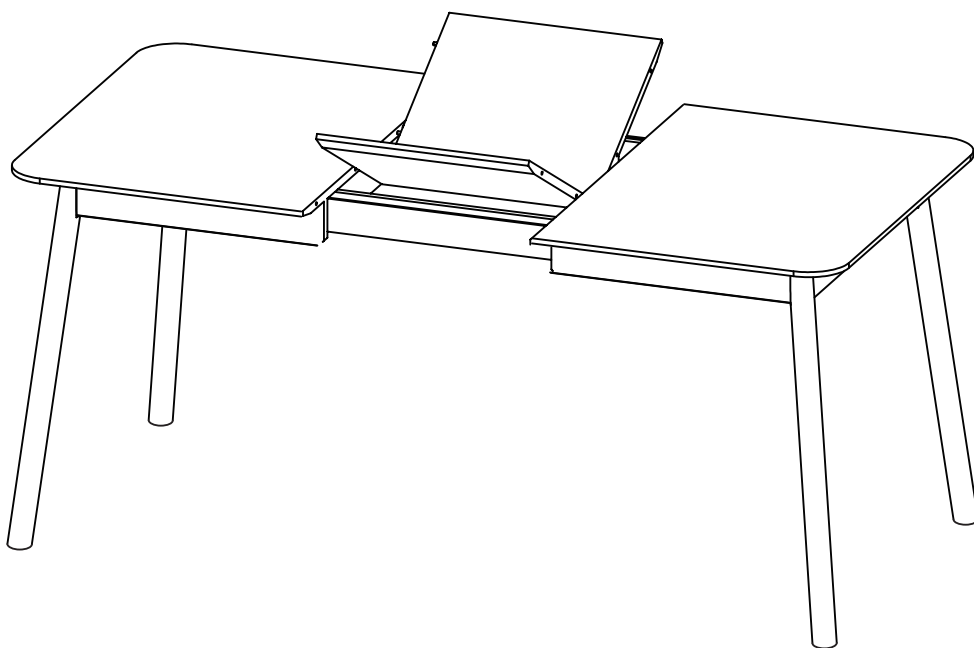
Step 2 Pull end of table to opposite direction by 2 persons, open to the end position,



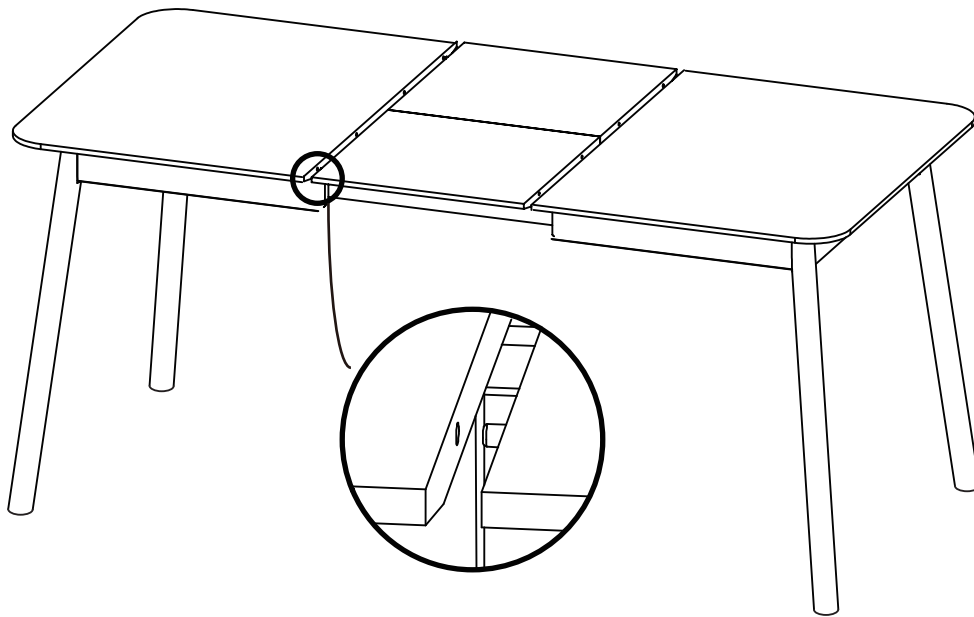
Step 3 Carefully lift the extension leaves out together as shown below.



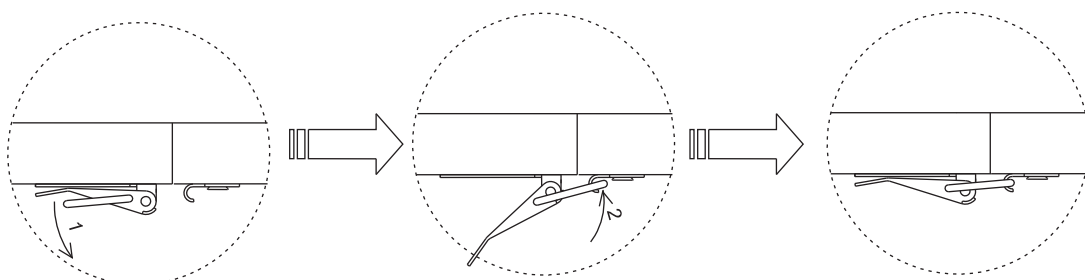
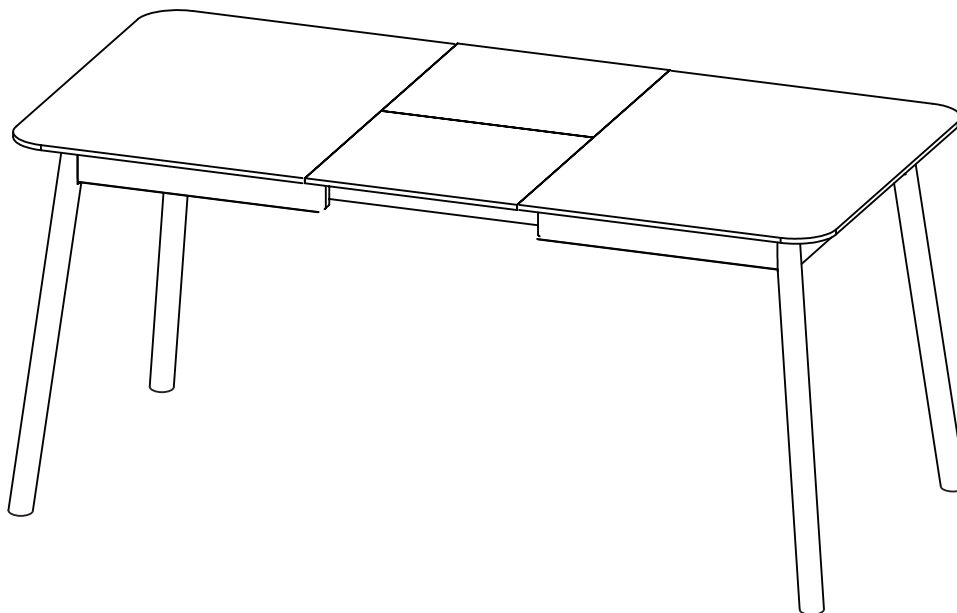
Step 4 Carefully open the leaves so they are now level with the table top.



Step 5 With 2 people, ensure all locating pins are aligned before pushing the table closed as shown below.



Step 6 Ensure the 2 x securing clips are fastened before using the table. To store the leaves perform this operation in reverse.



PLEASE READ!

This veneered table top has a natural open grain finish. Please read the care guide thoroughly. We recommend using mats and wiping up spilled liquids. Avoid placing plant pots or vases without waterproof mats to prolong the life of this product.

Care and Maintenance

Wood furniture

- Wood displays different grain patterns depending on which way they cut - for example, the 'medullary ray' which can appear as a mark of good quality timber - these are just characteristics of the natural beauty of the wood. Some furniture is also deliberately aged and rustic.
- Wood veneers also allow distinctive patterns to be created on flat surfaces, such as table tops and drawer fronts by the way the slivers are arranged.
- All timber surfaces will change colour and mellow over time. New furniture will initially vary in shade from items that have been previously purchased.

How to care for your wood furniture

- Furniture with a hard lacquer, wax polish or painted surface should be dusted with a dry cloth.
- Spray polishes are best avoided as they contain silicones which may spoil the furniture's surface by building up over time.
- Make sure all surfaces are protected from heat and liquids by mats and coasters. Wipe up spills immediately and ensure that a mat or pad is placed under paper if you are writing.
- Our furniture will endure most temperatures in the home but it is best to avoid placing furniture next to heat sources such as radiators or fires. Be particularly careful with solid wood as the lack of humidity caused by central heating can cause damage such as warping.

Safety instructions

- Never drag furniture when moving it, always lift it.
- Periodically check all fixings to ensure none have come loose and re-tighten where necessary.
- Please take care when handling or moving the furniture, careless handling may cause damage or injury.
- Furniture can be dangerous if incorrectly installed. Assembly should be carried out by a competent person. No liability will be accepted for damage or injury caused by incorrectly installed or assembled furniture.
- It is recommended that before moving heavy objects to a new location they are completely dis-assembled to avoid personal injury or damage to the furniture. Please be careful to retain all fittings when doing this.