

1

## Hardwares



04- Bolts

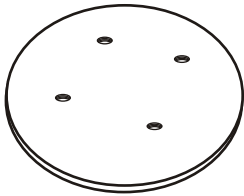


04 - Washers

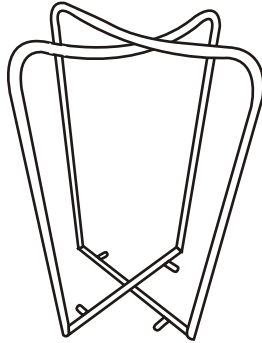


1- Wrench

## Components

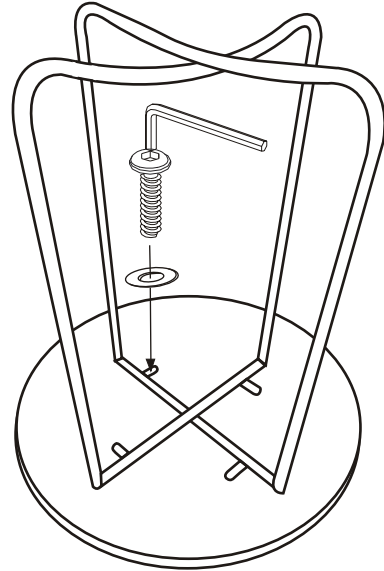


01-Pc.

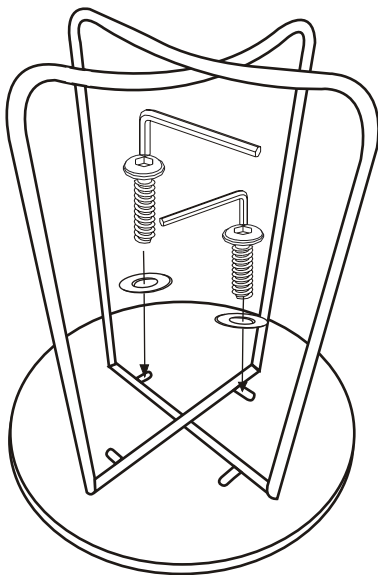


01-Pc.

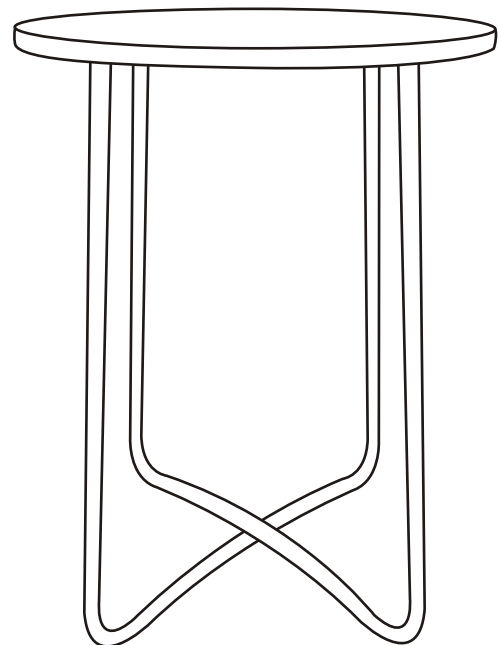
2



3



4



Maintenance and cleaning advice:

Marble is a porous material. Do not place hot drinks on the table. When water makes contact with the table, dry immediately.

Do not clean with aggressive detergents.

To maintain the perfect condition of the marble, use bee wax to polish.