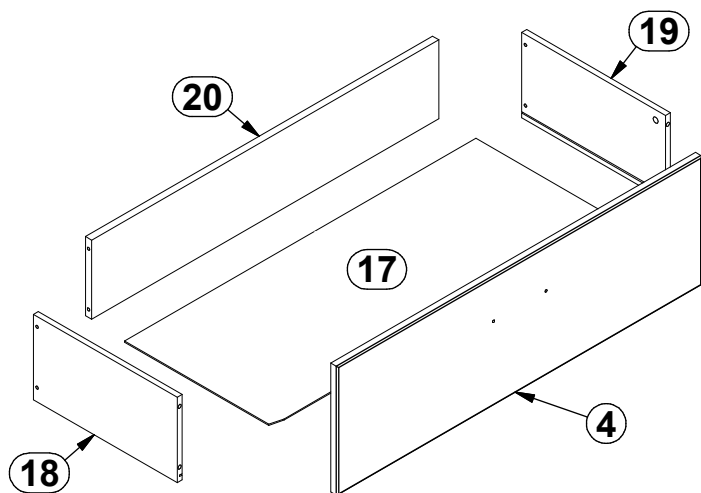


A	B	C1	C2	C3	D
1	M238-5001	60	80	22	2/2
2	S517-0003	411	365	16	1/2
3	S517-0004	365	411	16	1/2
4	S517-0005	272	888	16	1/2
5	S517-1009	477	451	16	1/2
6	S517-1010	477	451	16	1/2
7	S517-1011	401	371	16	1/2
8	S517-1012	244	371	16	1/2
9	S517-2004	1791	490	32	2/2
10	S517-3006	1757	371	16	2/2
11	S517-3007	948	371	16	1/2
12	S517-3008	792	364	16	1/2
13	S517-5005	477,	80	22	2/2
14	S517-5006	477,	80	22	2/2
15	S517-9002	806	420	2,5	2/2
16	S517-9003	961	272	2,5	2/2
17	WSP-9337	908,	358	2,5	2/2
18	ZQ6-503	350	180	12	1/2
19	ZQ6-504	350	180	12	1/2
20	ZQ6-5129	845	167	15	1/2

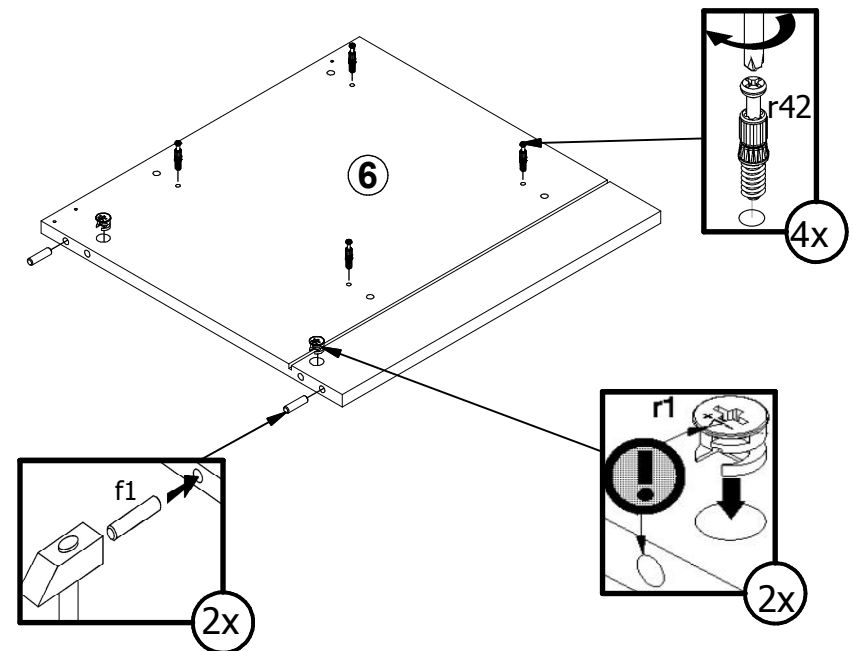
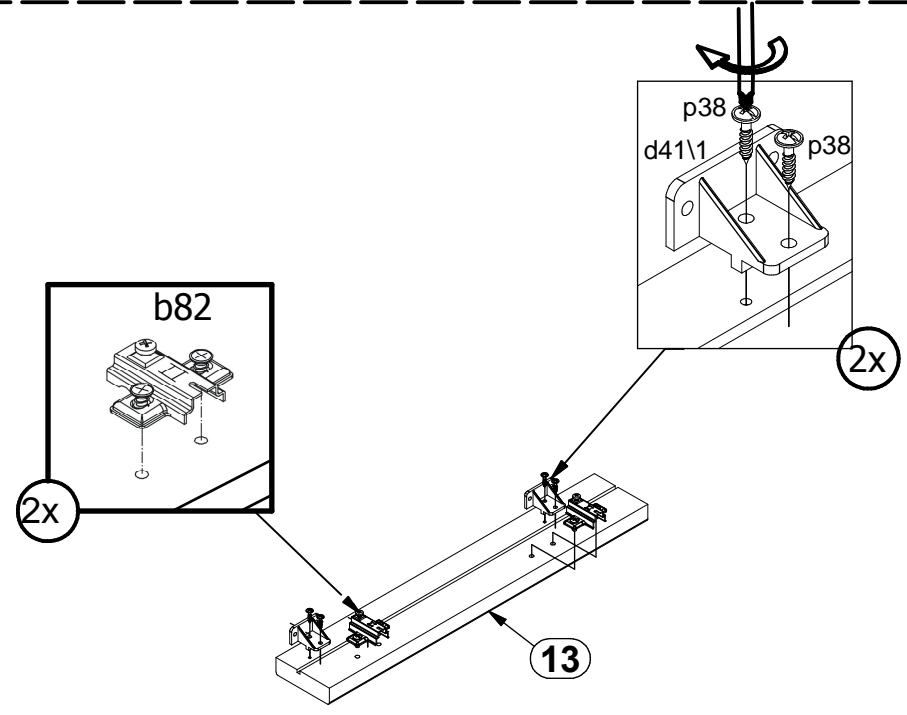
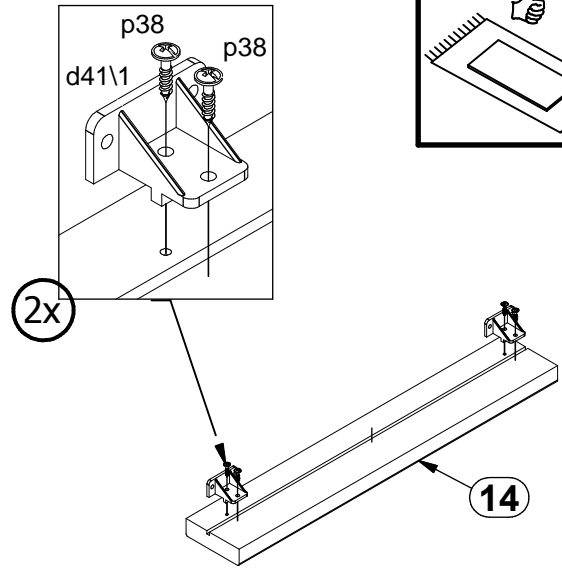
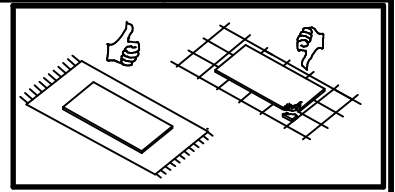
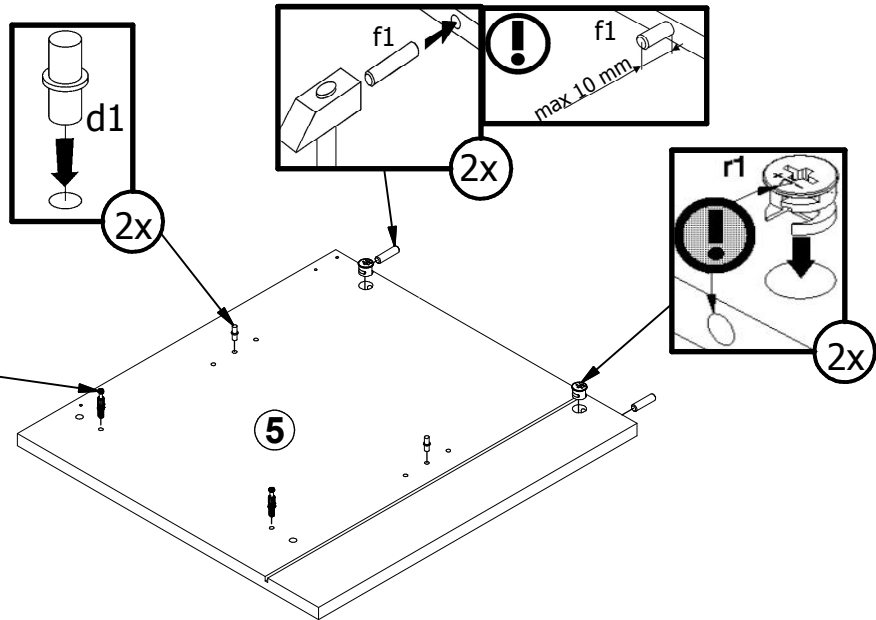


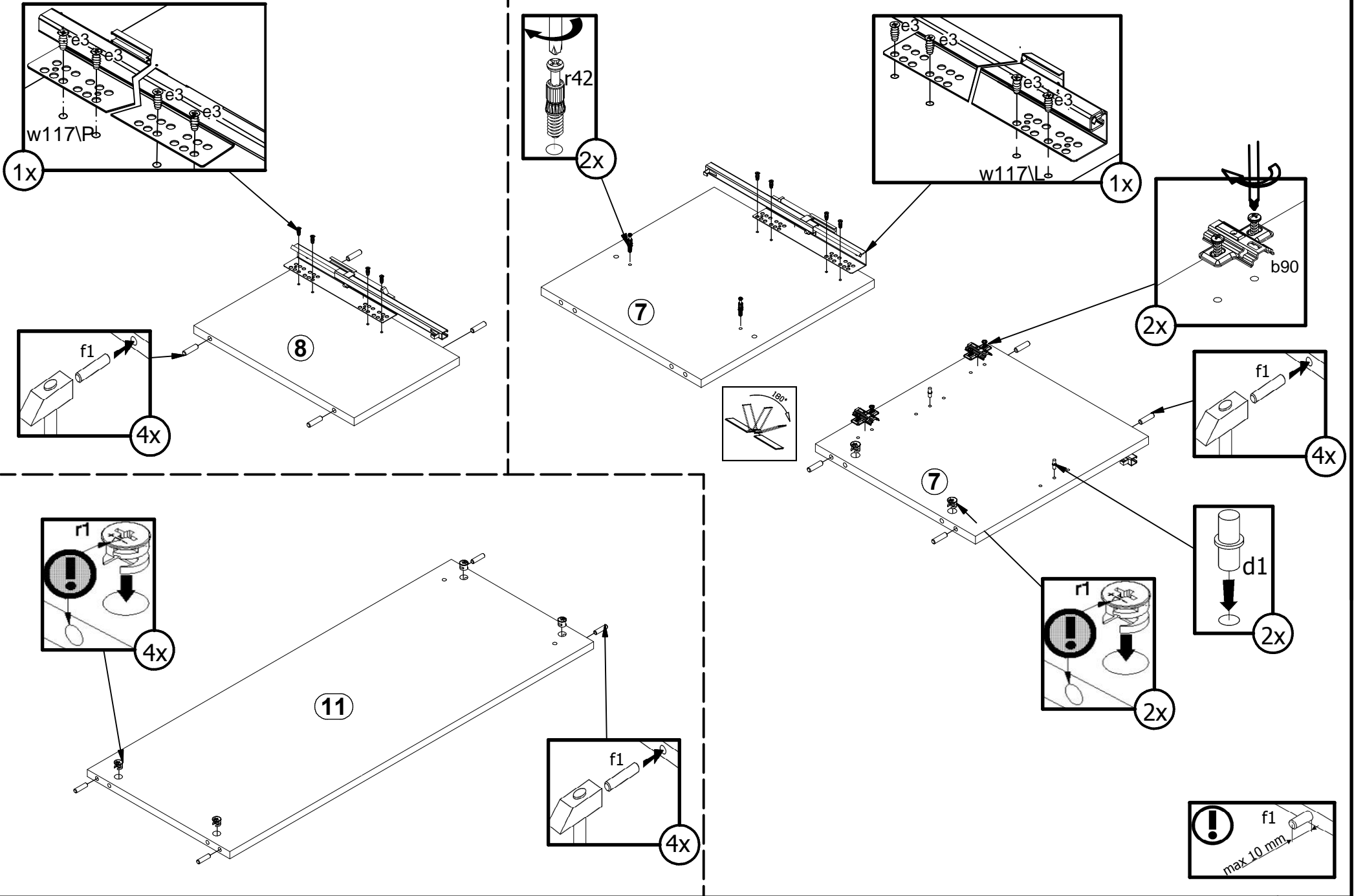
2x a132	1x a133	2x a205	2x H4 b82	2x b90
3x L-148mm c469/2	4x Ø5x17 mm d1	4x d41/1	3x Ø7x50 mm e1	8x Ø6x13 mm e3
21x Ø8x30 mm f1	4x Ø6.5x40 mm f25	5x k1	4x l2	2x 20x13x3.5/1 n108
1x Ø3.5x16 mm p25	1x Ø3.5x10 mm p35	41x Ø3.5x16 mm p38	8x Ø3.5x15 mm p51	4x Ø2.9x16 mm p55
6x Ø4x22 mm p60	14x Ø15x12 mm #16 r1	6x Ø16 s2	1x s73	1x 350 mm t35
4x Ø12x10.5 mm #12 r15	18x 20/11 r42	1x 350 mm W117/L w117/L	1x 350 mm W117/P w117/P	1x z1

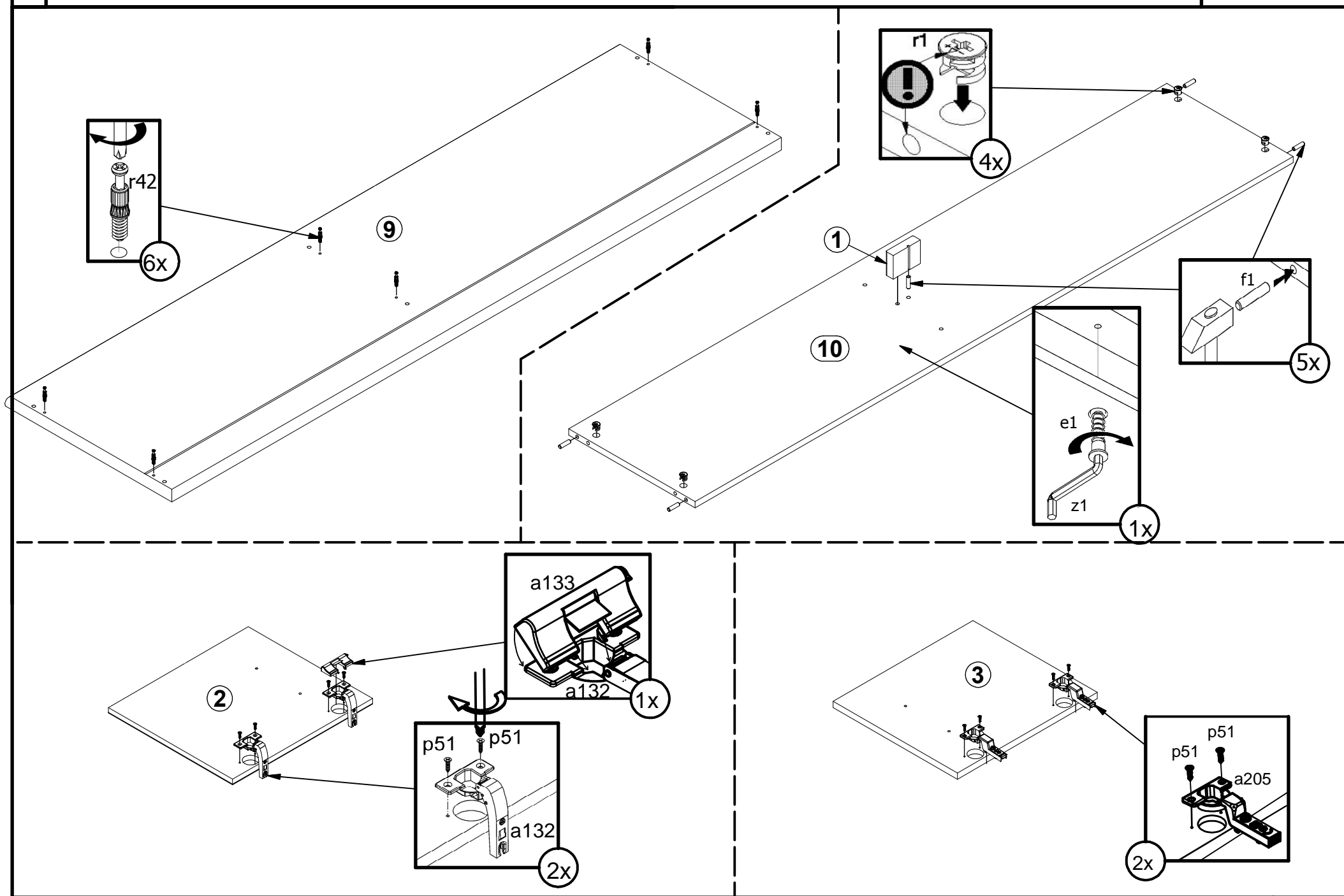
4x Ø3.5x16 mm p38	2x Ø5x60 mm p17
2x 88x21x15/1.5 n14/2	2x Ø10x50 mm f35



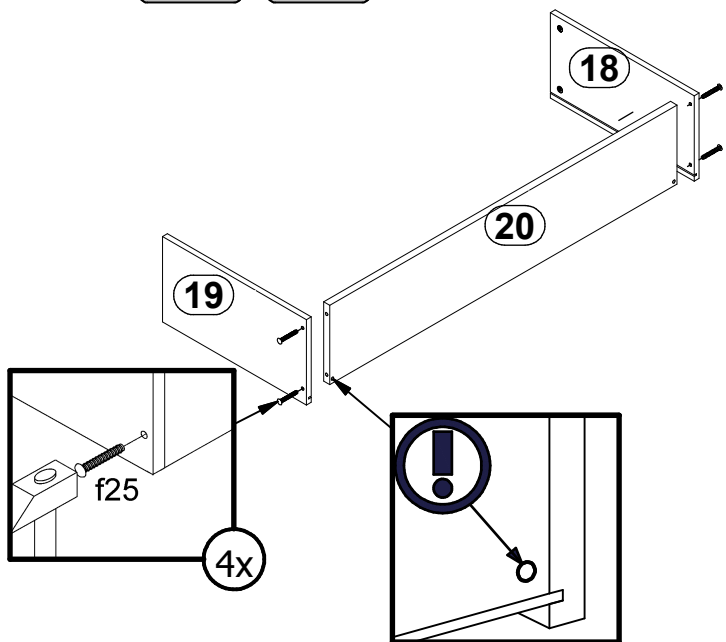
1



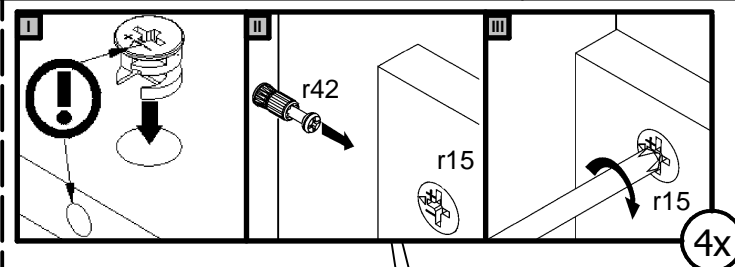
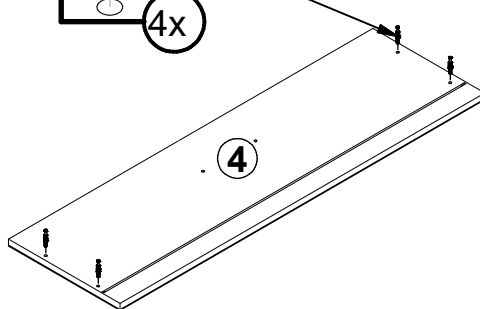
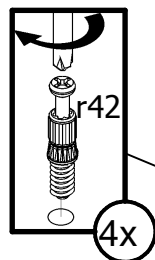




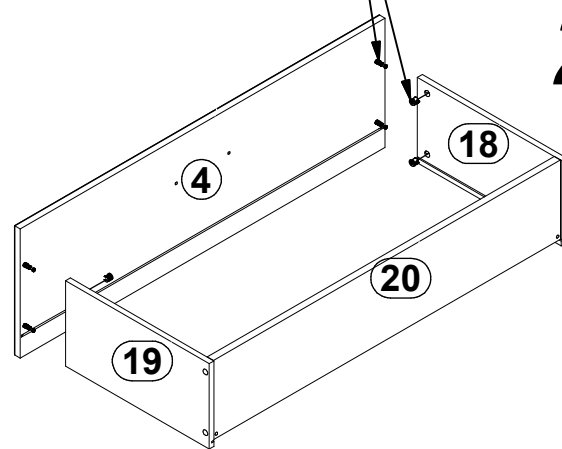
2.1



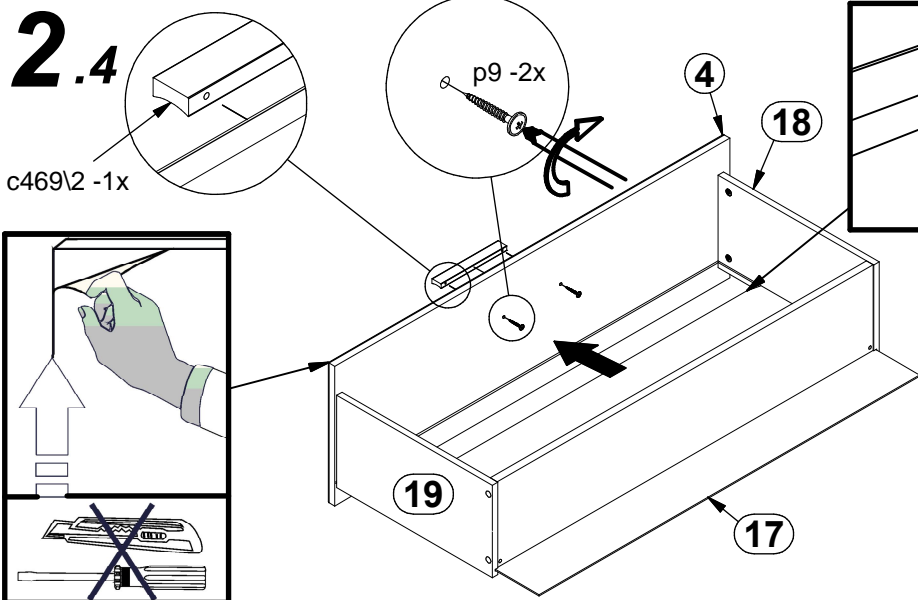
2.2



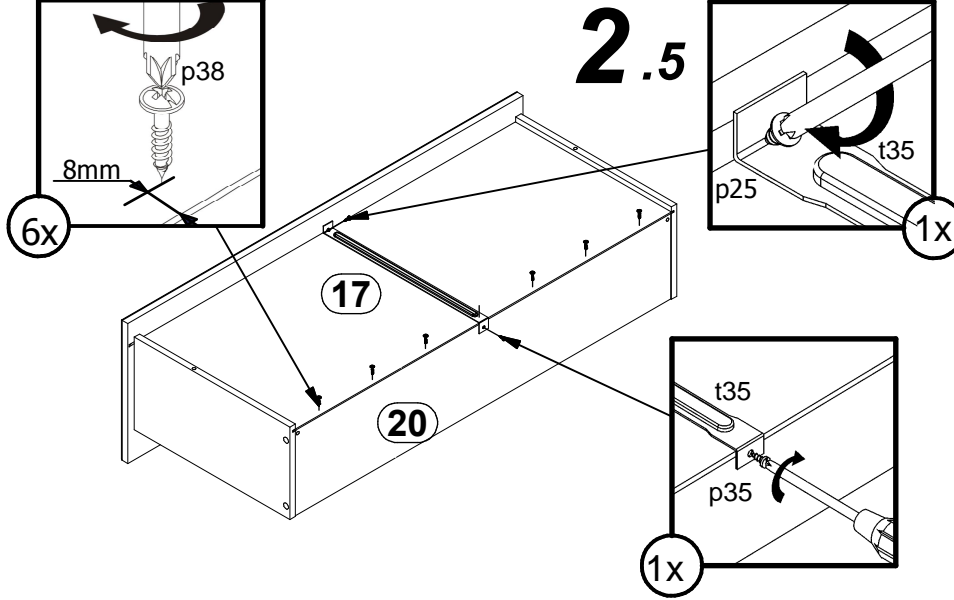
2.3

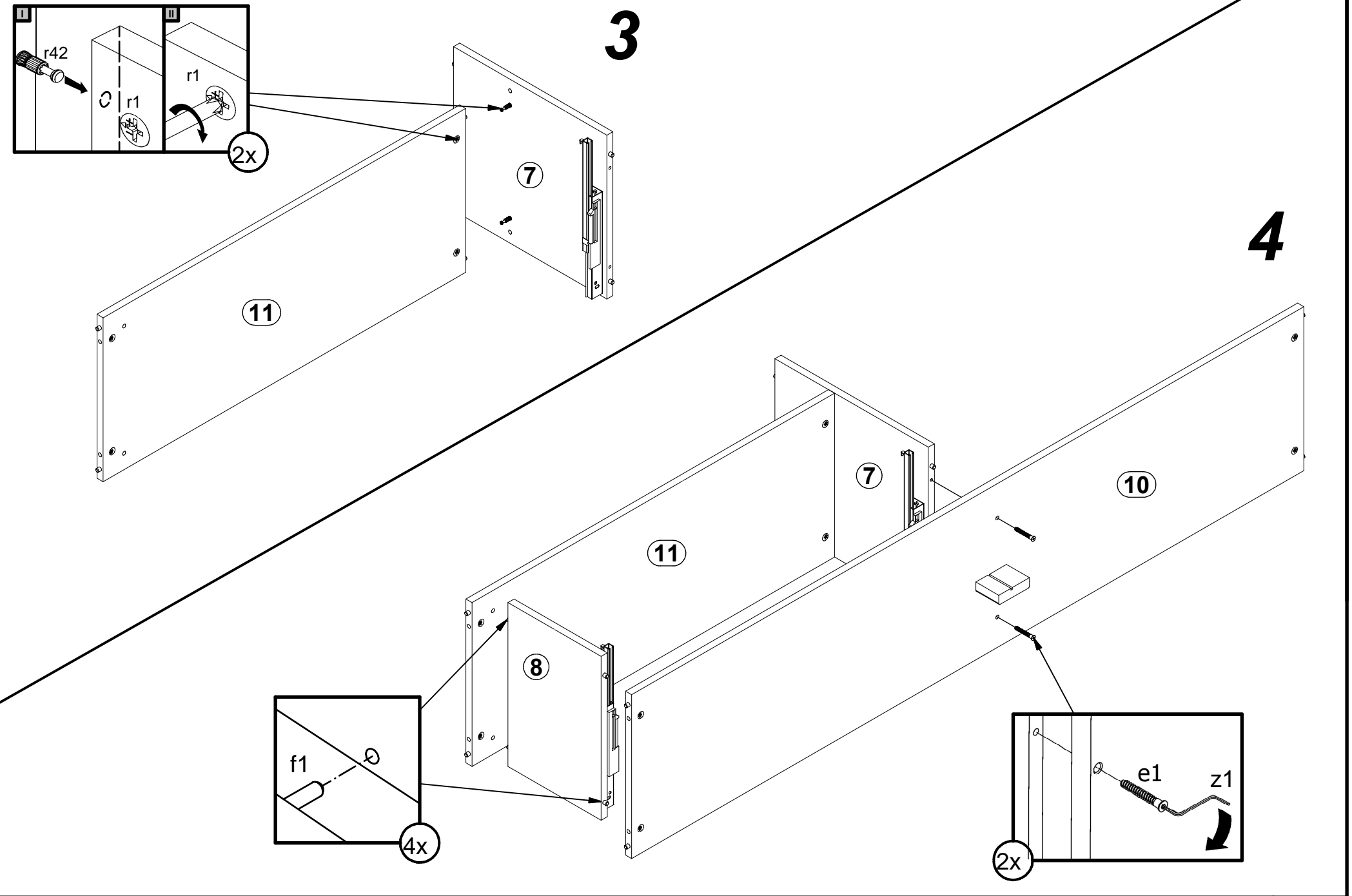


2.4

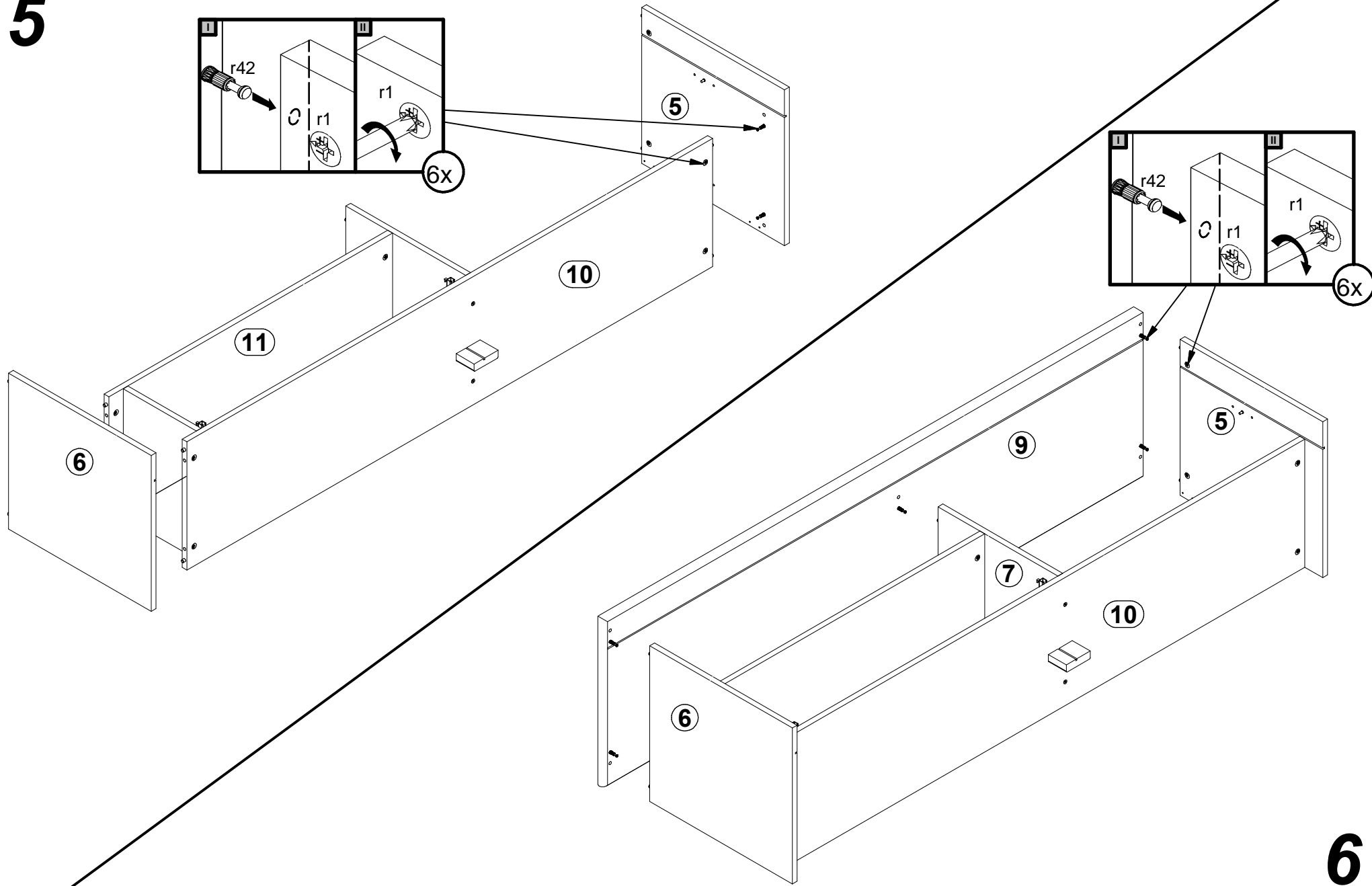


2.5



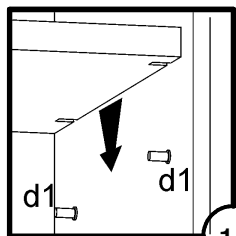


5

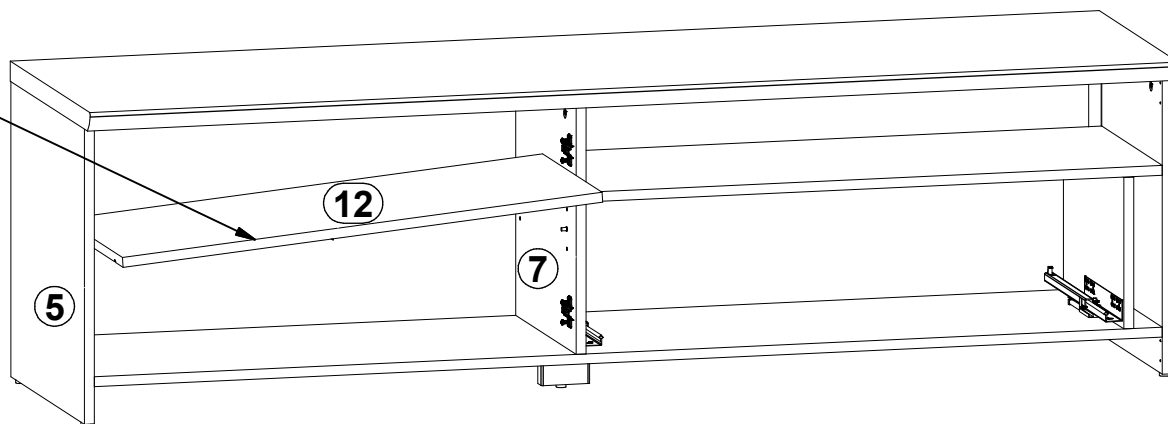


6

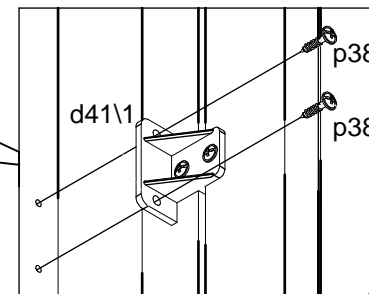
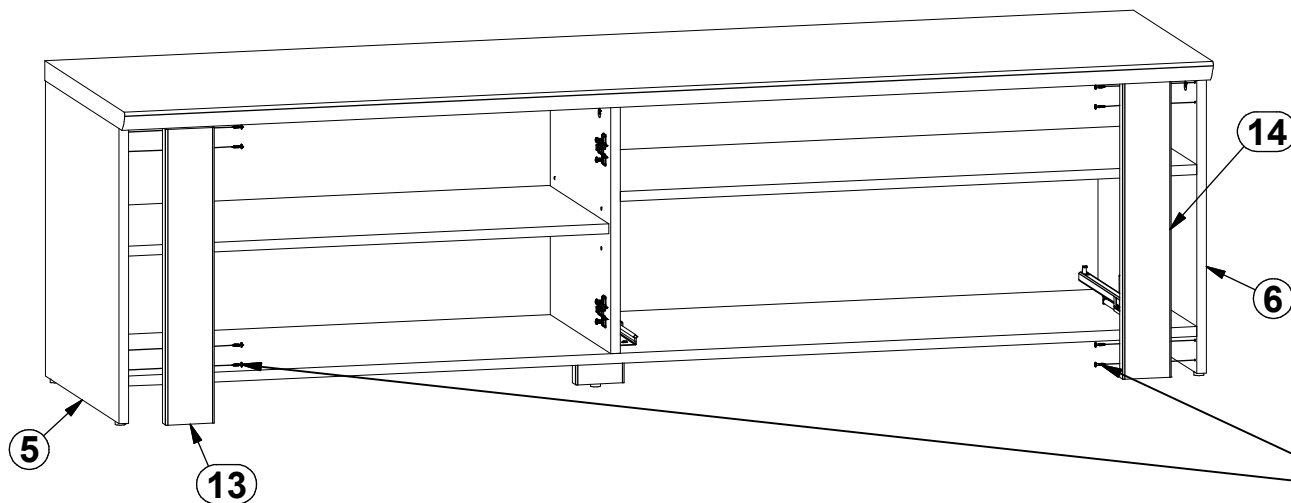
7



1x

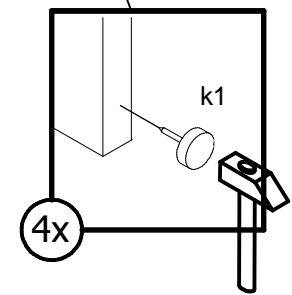
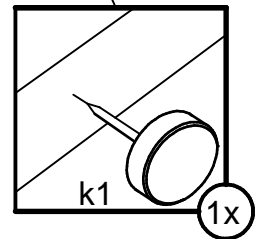
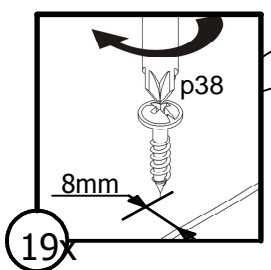
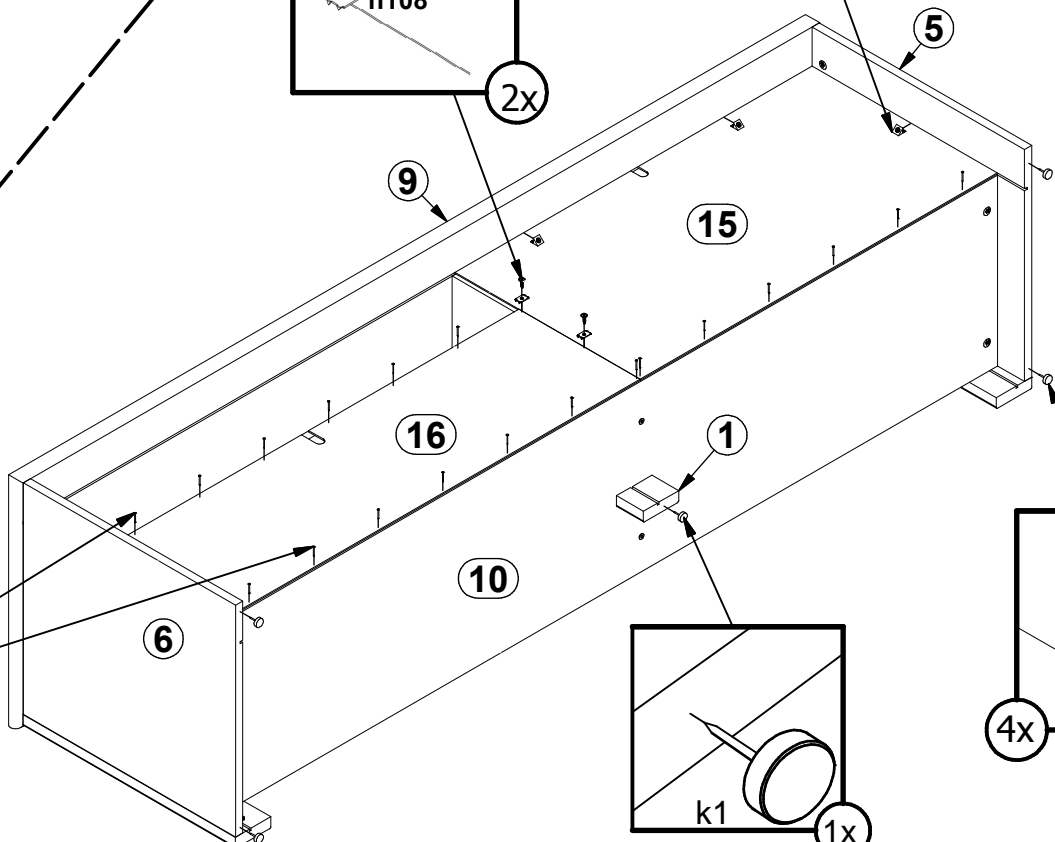
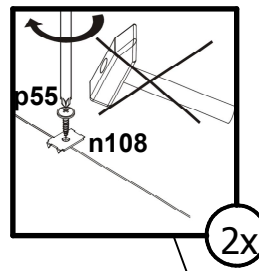
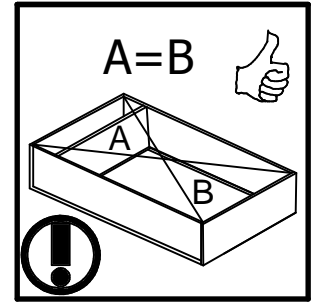
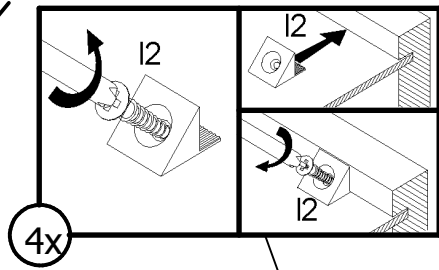
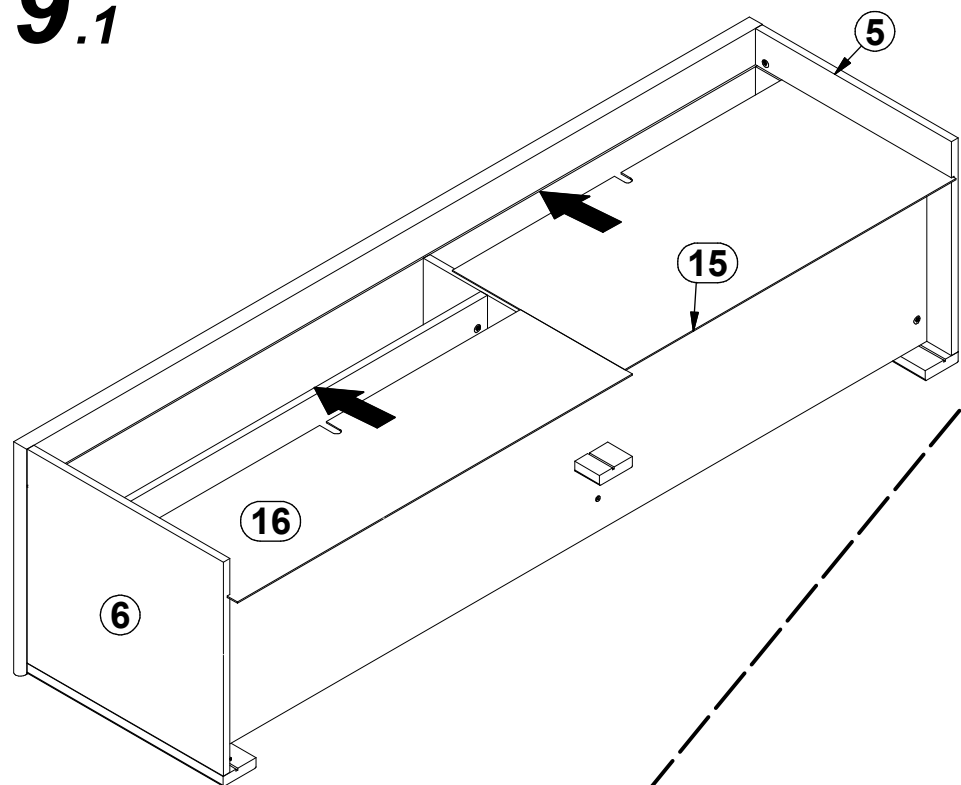


8

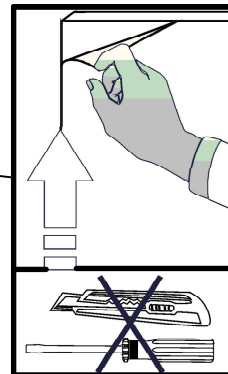
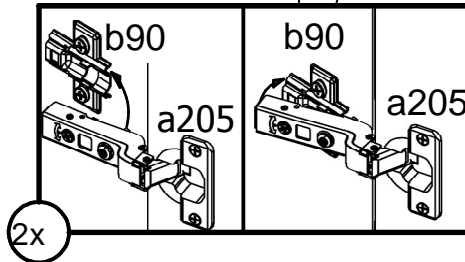
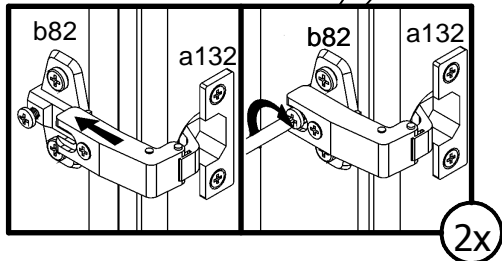
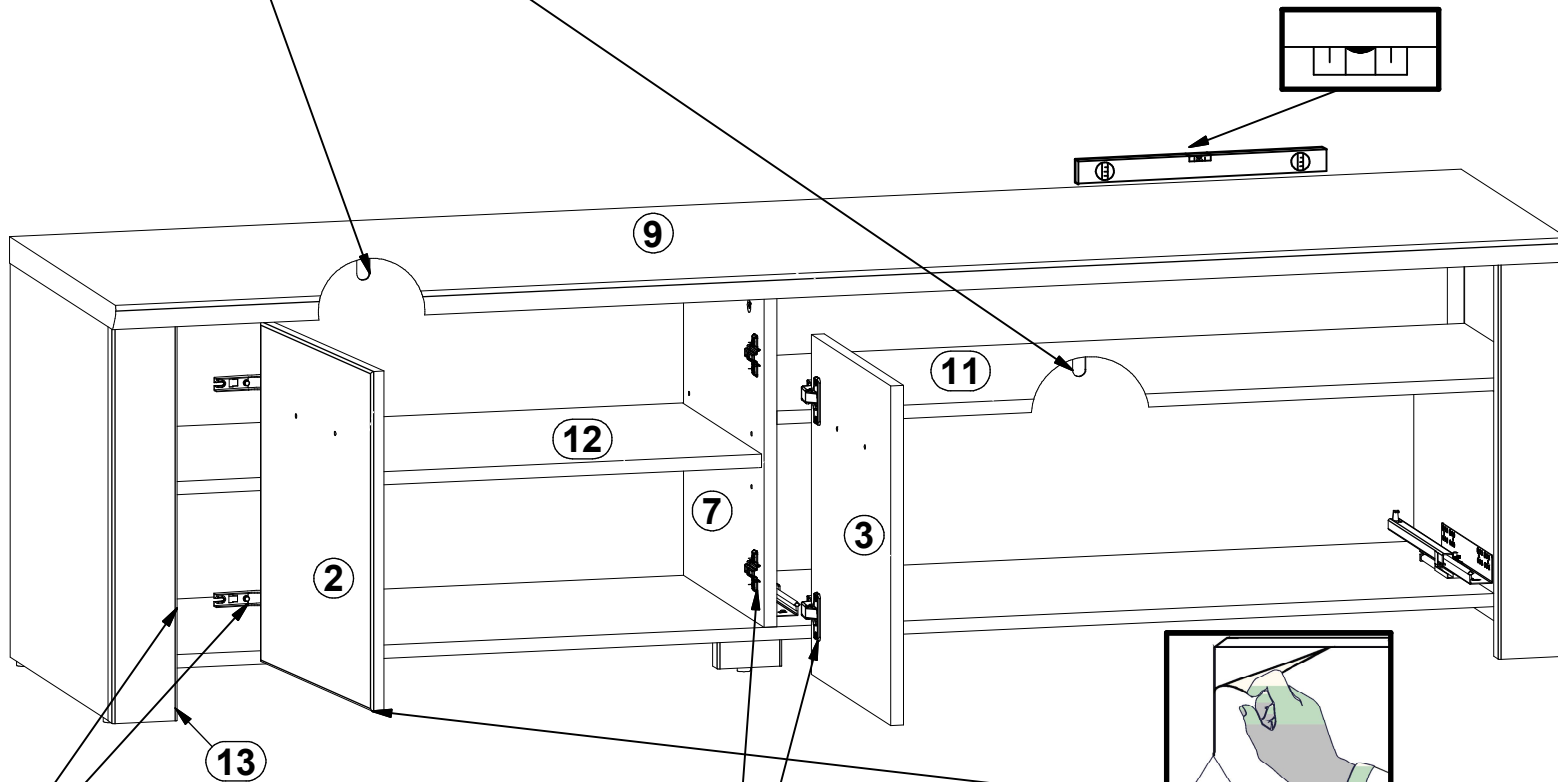
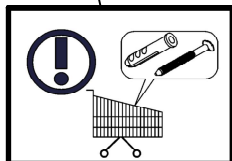
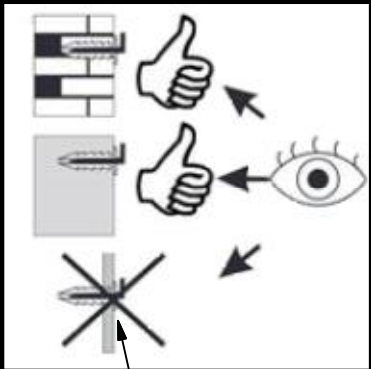
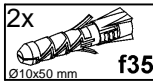
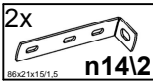
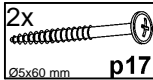
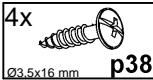
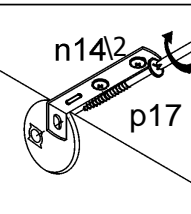
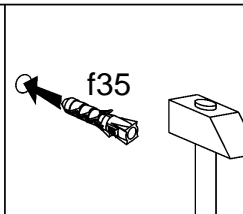
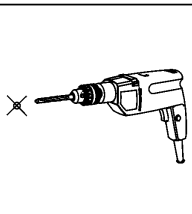
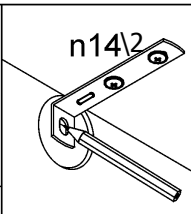
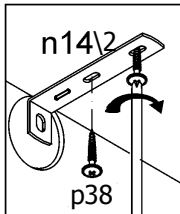


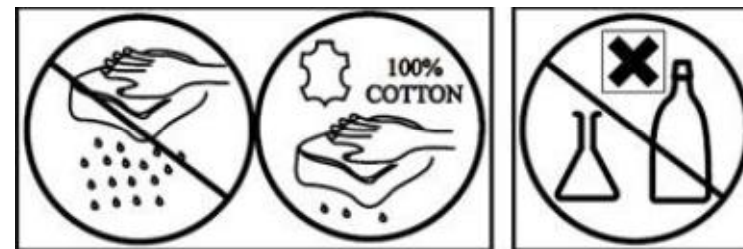
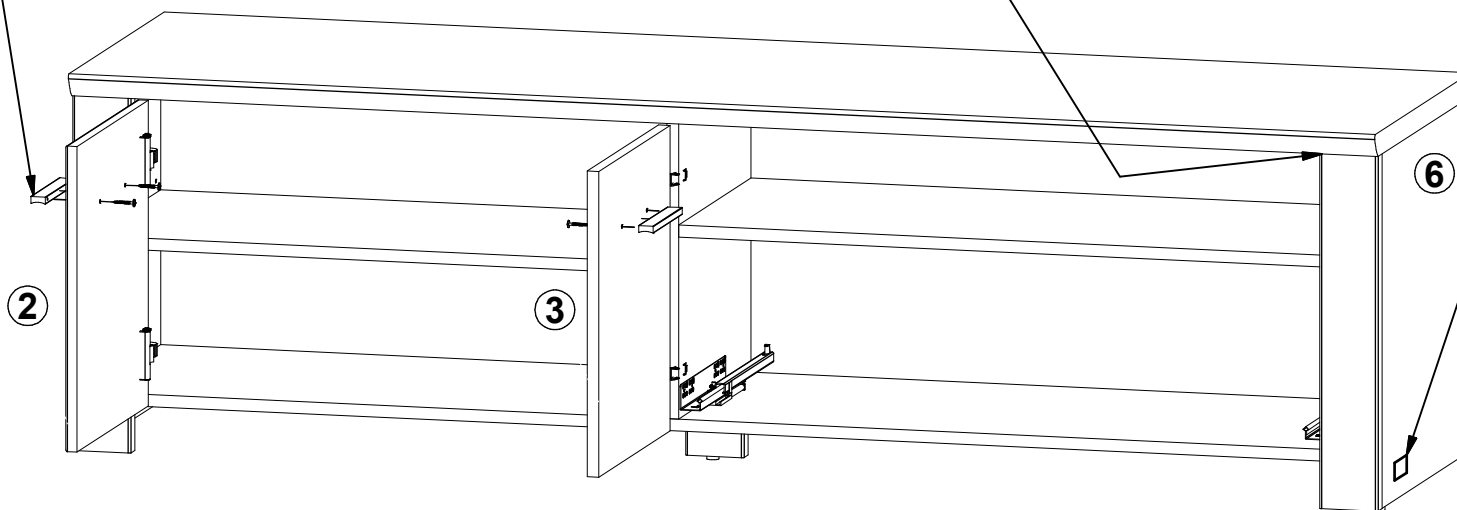
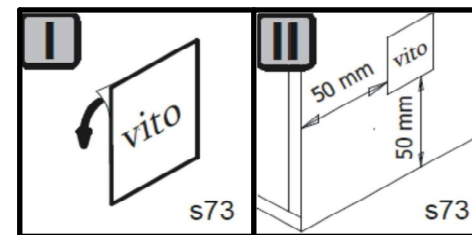
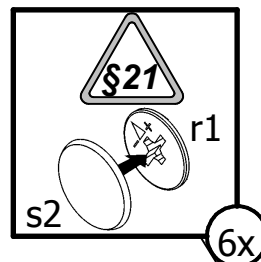
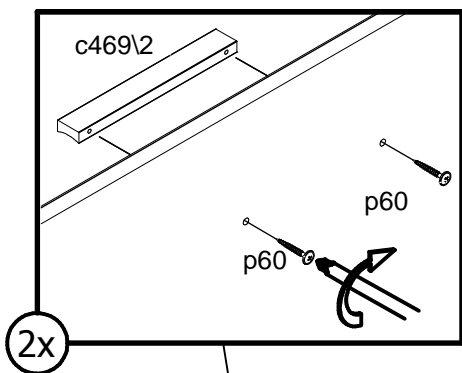
4x

9.1



9.2



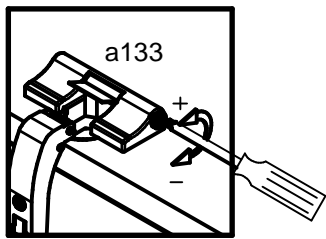
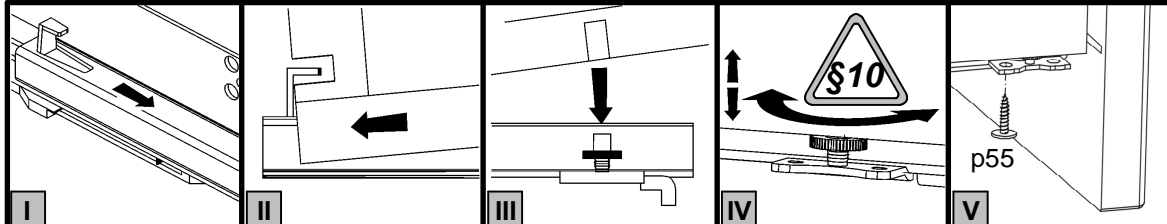


A

S517-RTV2D1S/5/18

5019--31

13 / 13



10

